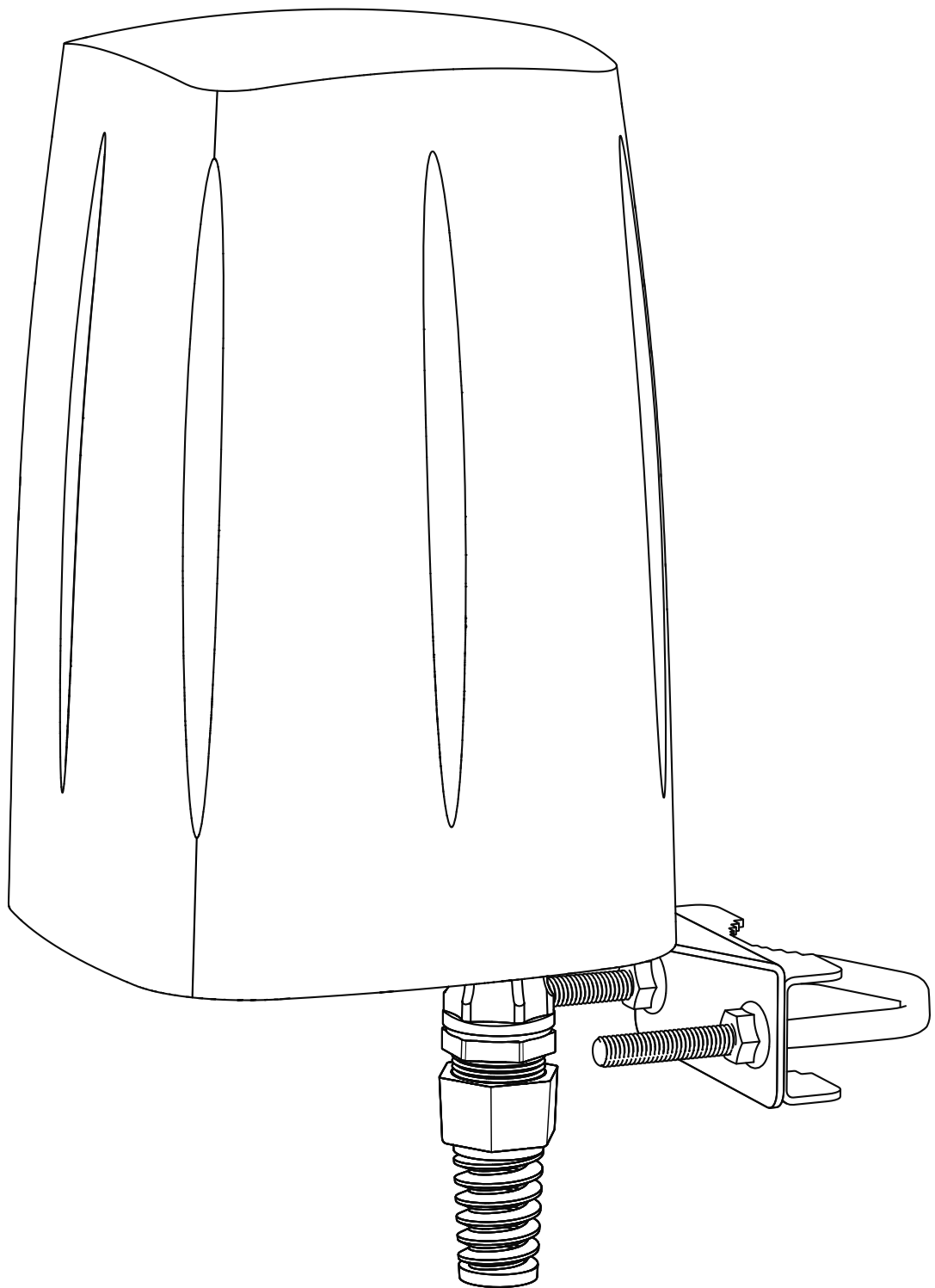


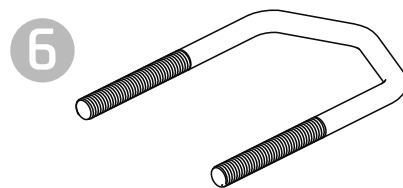
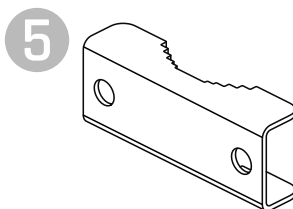
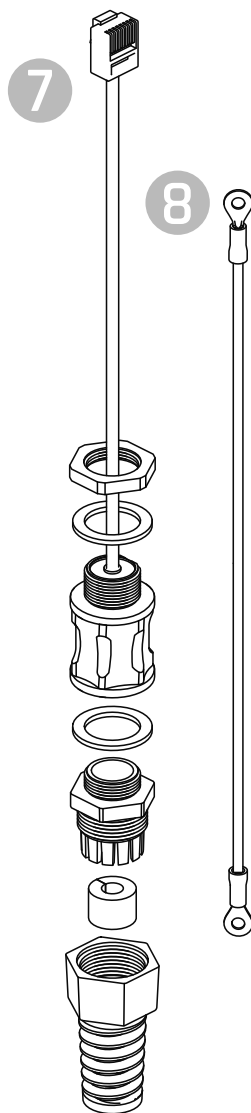
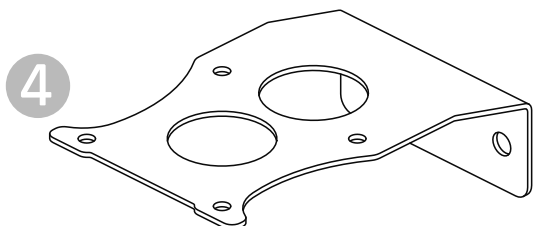
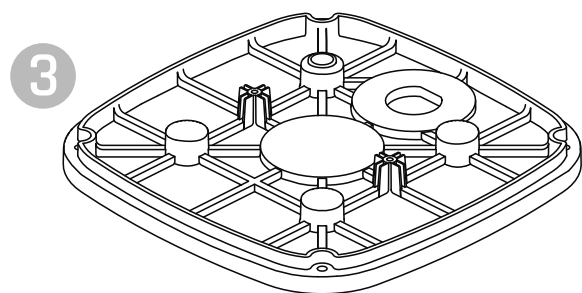
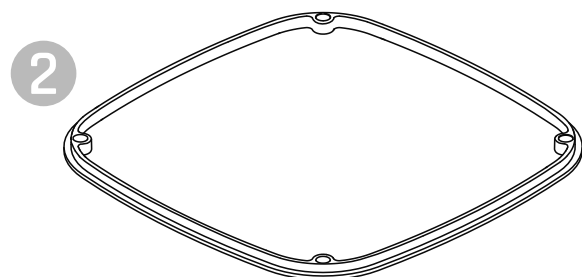
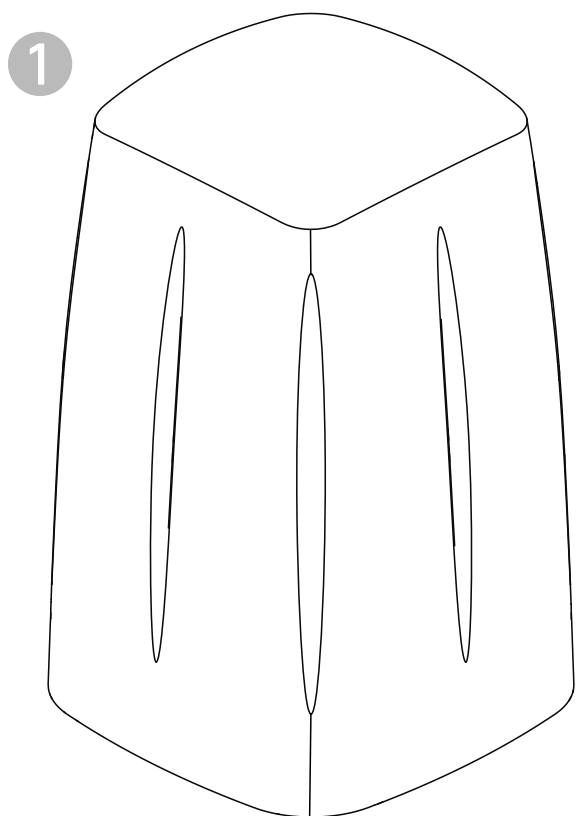
Quick Installation Guide

INTEGRATED ALL IN ONE OMNI ANTENNA

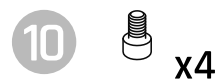
276-8463, 276-8464



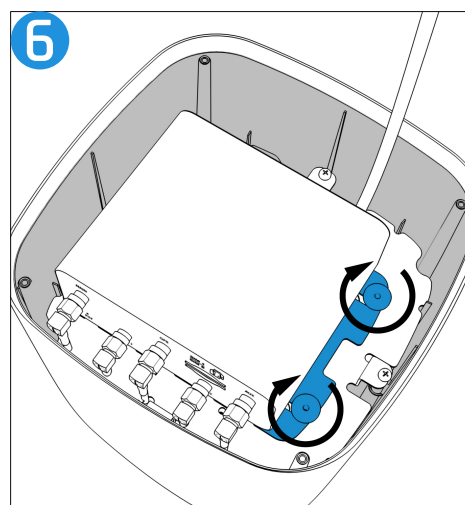
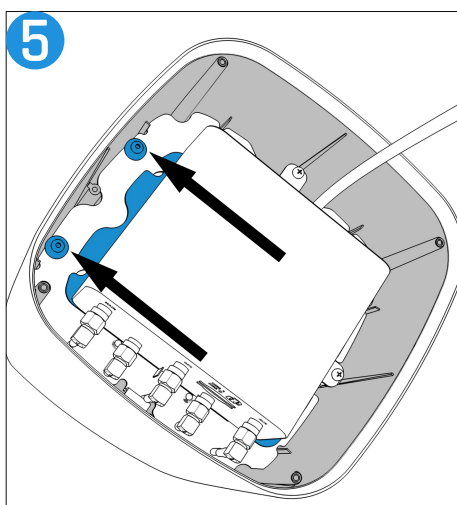
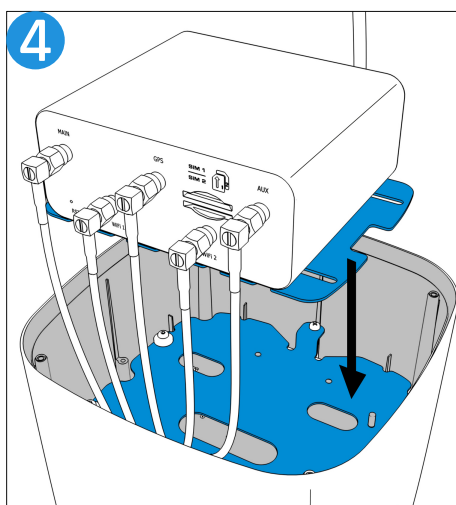
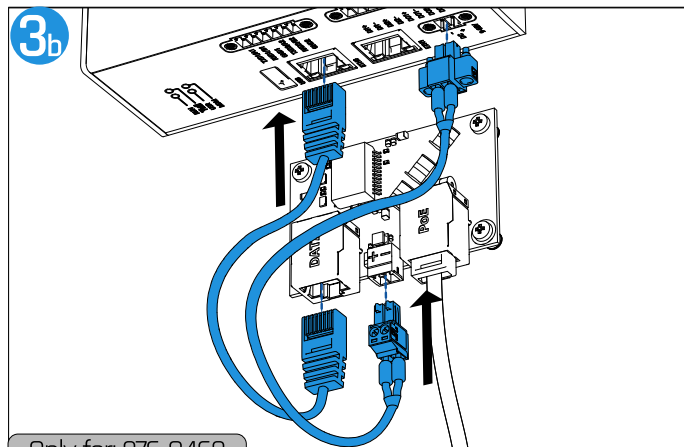
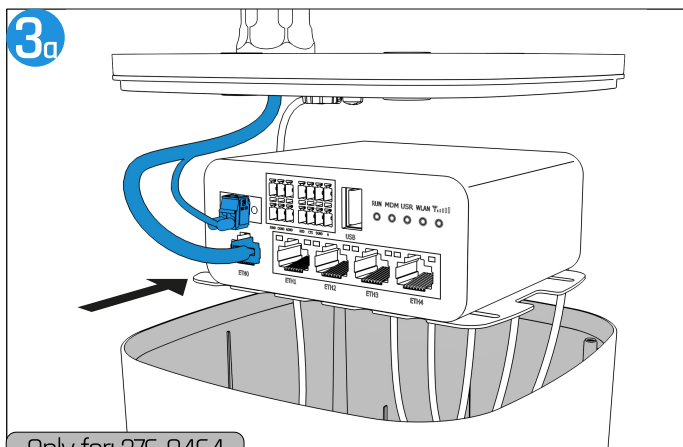
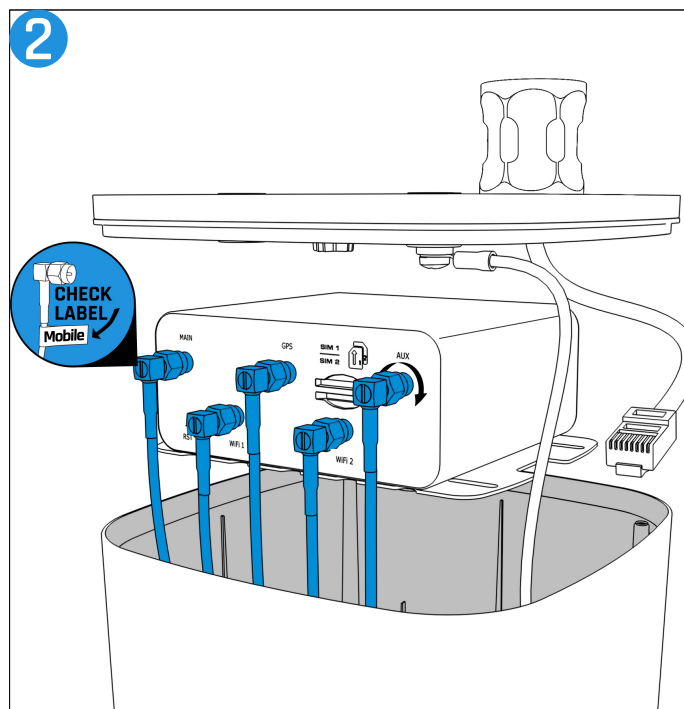
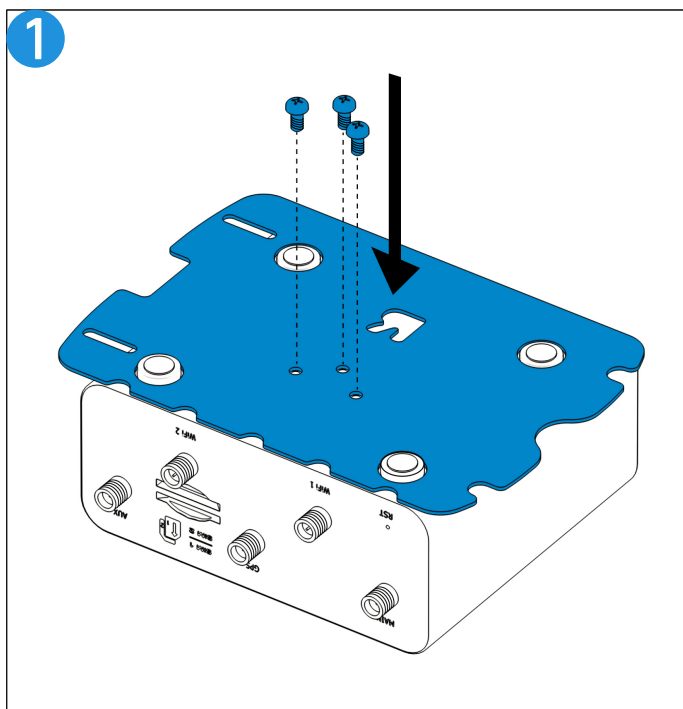
What's inside



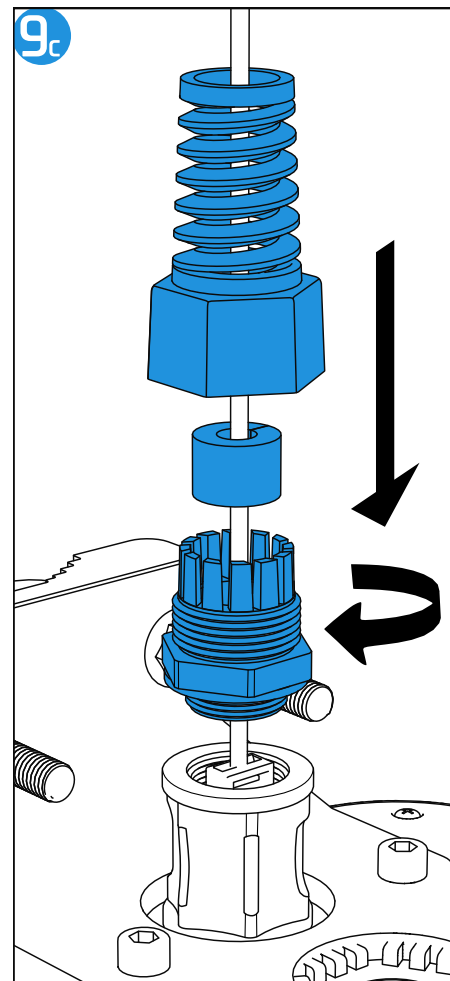
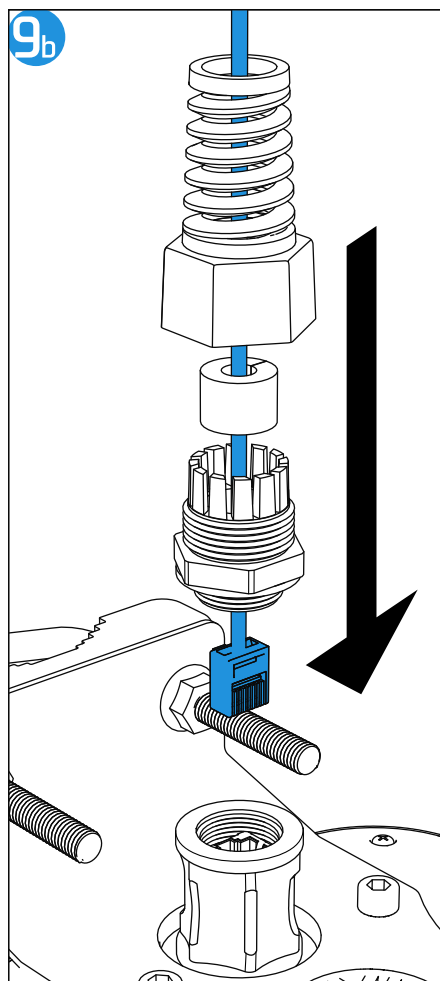
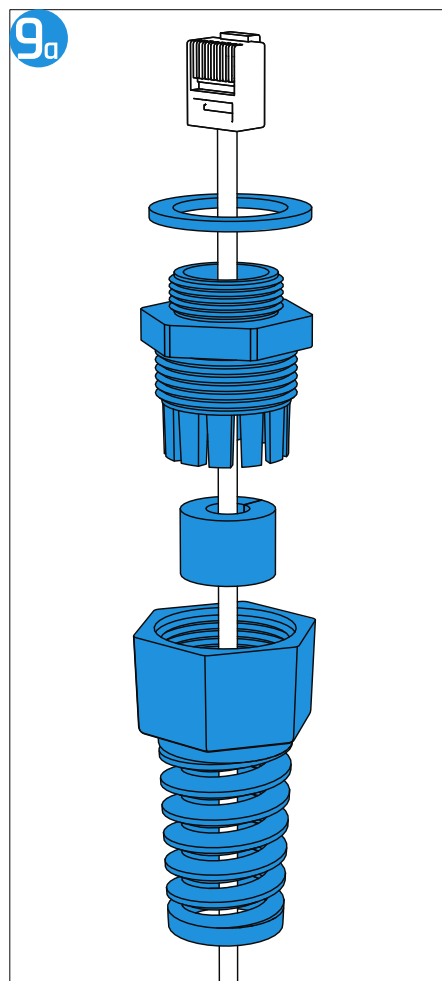
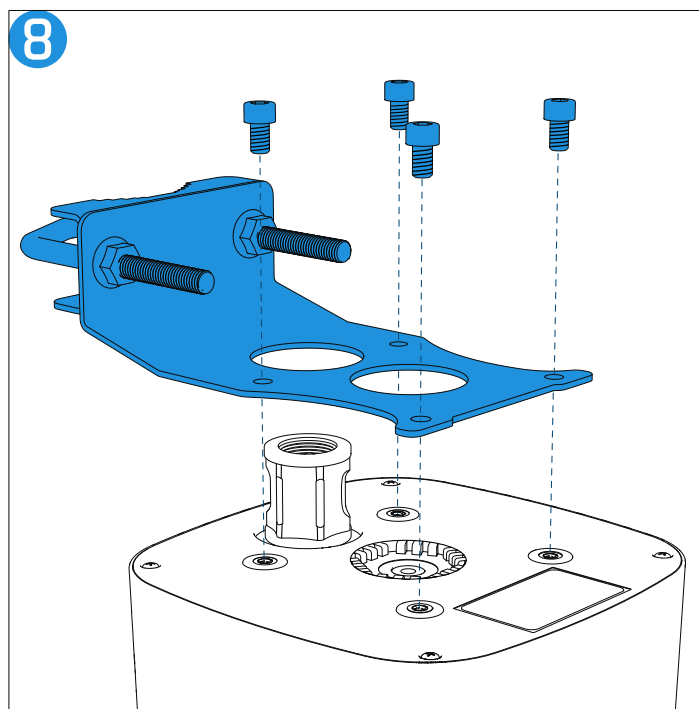
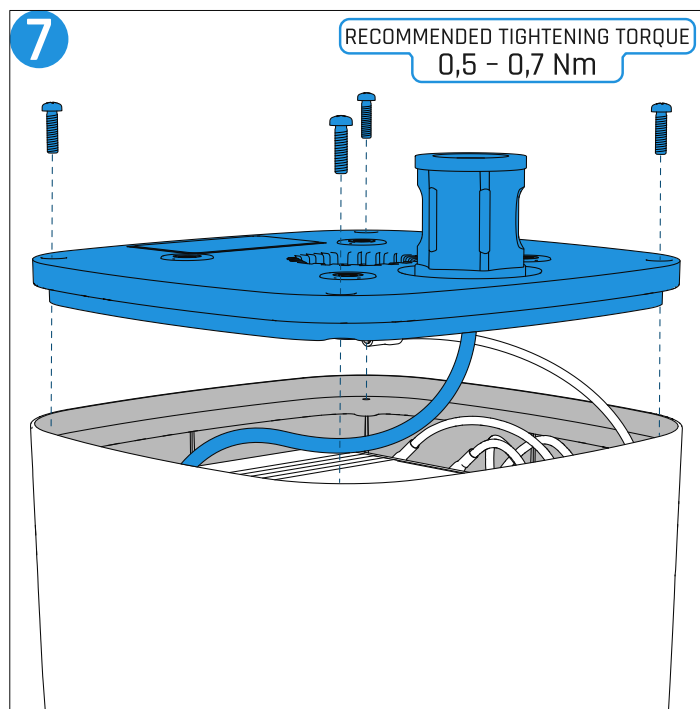
1	top cover
2	sealing gasket
3	lower lid
4	mounting
5	u-bolt M8 part 1
6	u-bolt M8 part 2
7	RJ45 socket
8	grounding cable
9	M8 nuts
10	M6 x 10 screw
11	3.1 x 12 screw



Antenna Installation



Antenna Installation



Mast and Wall Installation

