



Brand of NTN Group

## Technical data

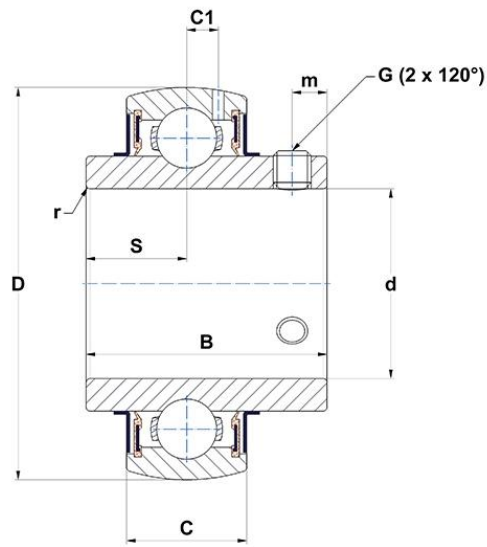
### SUC205-16

Insert bearings



Stainless steel insert, spherical outer diameter with locking pin, fixing by socket set screw, seal with slinger, food grease

#### VISUAL (S)



#### PRODUCT DEFINITION

|   |           |
|---|-----------|
| <b>Brand</b>  | SNR       |
| <b>B - Width of Inner Ring</b>                                  | 34,1 mm   |
| <b>C - Width of Outer Ring</b>                                  | 17 mm     |
| <b>C1 - Distance center of OR to center of lubrication zone</b> | 3,9 mm    |
| <b>d - Shaft diameter</b>                                       | 25,4 mm   |
| <b>D - Outer diameter of OR</b>                                 | 52 mm     |
| <b>G - Set screw size</b>                                       | 1/4-28UNF |
| <b>m - Distance to set screw</b>                                | 5 mm      |



**NTN Europe**

1 rue des Usines · BP 2017 · 74010 Annecy Cedex · France · Tel. +33 (0)4 50 65 30 00  
S.A. au capital de 322 639 919 € · RCS ANNECY B 325 821 072 · Id. Fiscale : FR 48 325 821 072  
SIRET 325 821 072 00015 · Code APE 2815 Z · Code NACE 28.15

### PRODUCT DEFINITION

|   |          |
|---|----------|
| <b>r - Radius Inner Ring</b>                  | 0.5      |
| <b>S - Distance front side/bearing centre</b> | 14,3 mm  |
| <b>f0 - Factor</b>                            | 14       |
| <b>SW - Wrench size</b>                       | 3,175 mm |

### PRODUCT PERFORMANCE

|                                   |             |
|-----------------------------------|-------------|
| <b>C - Dynamic load rating</b>    | 14000000 mN |
| <b>C0 - Static load rating</b>    | 7800000 mN  |
| <b>Operating temperature min.</b> | 253,15 °K   |
| <b>Operating temperature max.</b> | 373,15 °K   |

### OTHER FEATURES

|  |         |
|--|---------|
| <b>Mass</b>  | 0,19 kg |
| <b>Recommended tightening torque for set screw</b> | 3.9 N-m |

### BEARING FREQUENCIES

|   |                     |
|---|---------------------|
| <b>BPFO - Over rolling frequency on outer ring (60 rpm)</b>     | 3.58178020565553 Hz |
| <b>BPMF - Over rolling frequency on inner (60 rpm)</b>          | 5.41821979434447 Hz |
| <b>BSF - Over rolling frequency on rolling element (60 rpm)</b> | 4.69673855838714 Hz |
| <b>BRF - Rotational frequency - rolling element (60 rpm)</b>    | 2.34836927919357 Hz |
| <b>FTF - Rotational frequency - cage (60 rpm)</b>               | 0.39797557840617 Hz |

