

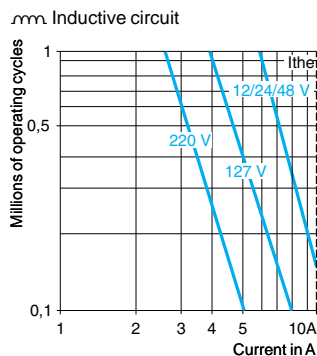
Environment		
Conformity to standards	Products	XY2 CH, XY2 CE: EN/IEC 60947-5-1, EN/ISO 13850:2006, UL 508 and CSA C 22-2 n° 14 (with suffix H7) XY2 CB: EN/IEC 60947-5-1, EN/ISO 13850:2006, CSA C 22-2 n° 14 (with suffix H2)
	Machine assemblies	XY2 CH, XY2 CE, XY2 CB: EN/IEC 60204-1, Machinery directive: 98/37/EC and 91/368/EEC, Work equipment directive: 89/655/EEC
Product certifications		XY2 CH: UL-CSA (with suffix H7), CCC (1) XY2 CE: UL-CSAA300-Q300 (with suffix H7), CCC (1) XY2 CB: CSA A600-Q600 (with suffix H2)
Protective treatment	Standard version	"TC"
	Special version	"TH"
Ambient air temperature	For operation	- 25...+ 70 °C
	For storage	- 40...+ 70 °C
Vibration resistance		XY2 CH: 10 gn (10...150 Hz) XY2 CE: 10 gn (10...300 Hz) conforming to EN/IEC 60068-2-6
Shock resistance		XY2 CH, XY2 CE: 50 gn (duration 11 ms) conforming to EN/IEC 60068-2-27
Electric shock protection		Class I conforming to EN/IEC 61140 and NF C 20-030
Degree of protection		XY2 CH, XY2 CE: IP 65 XY2 CB: enclosure IP 22, contact housing IP 65, conforming to EN/IEC 60529 and NF C 20-010
Mechanical life		XY2 CH, XY2 CE (Emergency stop), XY2 CB: 10 000 operating cycles
Length of protected zone (trip wire)		XY2 CH: ≤ 15 metres, XY2 CE: ≤ 50 metres, XY2 CB: ≤ 100 metres and ≤ 2 x 100 metres
Distance between cable supports		5 m
Cable entries		See dimensions, page 38145-EN/9.

Contact block characteristics

Rated operational characteristics	XY2 CH, XY2 CE: AC-15: A300 or Ue = 240 V, Ie = 3 A DC-13: Q600 or Ue = 250 V, Ie = 0.27 A conforming to EN/IEC 60947-5-1 Appendix A XY2 CB: AC-15: A600 or Ue = 600 V, Ie = 1.2 A DC-13: Q600 or Ue = 600 V, Ie = 0.1 A conforming to EN/IEC 60947-5-1 Appendix A
Nominal thermal current	10 A
Rated insulation voltage	XY2 CH, XY2 CE: Ui = 400 V degree of pollution 3 conforming to EN/IEC 60947-1, Ui = 300 V conforming to UL 508, CSA C22-2 n° 14 XY2 CB: Ui = 500 V degree of pollution 3 conforming to EN/IEC 60947-1, Ui = 600 V to CSA C22-2 n° 14
Rated impulse withstand voltage	XY2 CH, XY2 CE: Uimp = 4 kV, XY2 CB: Uimp = 6 kV conforming to EN/IEC 60947-1
Positive operation	N/C contact with positive opening operation conforming to EN/IEC 60947-5-1 Section 3
Contact operation	XY2 CH, XY2 CE (Emergency stop), XY2 CB: N/C + N/C or N/C + N/O slow break
Resistance across terminals	≤ 25 mΩ conforming to NF C 93-050 method A or EN/IEC 60255-7 category 3
Terminal referencing	Conforming to CENELEC EN 50013
Short-circuit protection	XY2 CH, XY2 CE, XY2 CB: 10 A cartridge fuse type gG (gl) conforming to EN/IEC 60269

Rated operational power (Electrical durability)	XY2 CH, XY2 CE Conforming to EN/IEC 60947-5-1 Appendix C Utilisation categories AC-15 and DC-13 a.c. supply ~ 50...60 Hz	XY2 CB Conforming to EN/IEC 60947-5-1 Appendix C Utilisation categories AC-15 and DC-13 a.c. supply ~ 50...60 Hz
-------------------------------------------------	-------------------------------------------------------------------------------------------------------------------------------------------------	-----------------------------------------------------------------------------------------------------------------------------------------

Operating rate: 3600 operating cycles/hour
Load factor: 0.5



Voltage V	24	48	120
mm W	15	23	30

(1) For 1 million operating cycles.

Voltage V	24	48	127	220
mm VA	250	250	500	500

Voltage V	24	48	120
mm W	50	100	100

Contact connection	Screw clamp terminals Clamping capacity: min. 1 x 0.5 mm ² , max. 2 x 1.5 mm ² Minimum tightening torque: 0.8 N.m Maximum tightening torque: 1.2 N.m
--------------------	-------------------------------------------------------------------------------------------------------------------------------------------------------------------------------------

(1) Only products XY2 CH without pilot light and XY2 CE without pilot light or with 24, 48 or 130 V pilot light are CCC and UL-CSA approved.

Safety dialogue solutions

Emergency stop trip wire switches, type XY2 C

Latching Emergency stops

(integrated turnbuckle, cable and end spring to be ordered separately) ⁽¹⁾

Without pilot light

Length of cable	Colour of enclosure	Reset	Type of contact	Cable anchor point	Reference	Weight kg	
≤ 15 m	Grey RAL 7032	By booted pushbutton –	1 1	N/C + N/O slow break	RH side or LH side	XY2 CH13250 ⁽³⁾	0.865
		By mushroom head pushbutton –	1 1			XY2 CH13350 ⁽³⁾	0.900
		By key operated pushbutton (key n° 421) ⁽²⁾ –	1 1			XY2 CH13450 ⁽³⁾	0.910
		By flush pushbutton –	2 –	N/C + N/C slow break	RH side or LH side	XY2 CH13170 ⁽³⁾	0.865
		By booted pushbutton –	2 –			XY2 CH13270 ⁽³⁾	0.865
		By mushroom head pushbutton –	2 –			XY2 CH13370 ⁽³⁾	0.865
		By key operated pushbutton (key n° 421) ⁽²⁾ –	2 –			XY2 CH13470 ⁽³⁾	0.910
Grey RAL 3000 ⁽⁴⁾	By booted pushbutton –	1 1	N/C + N/O slow break	RH side or LH side	XY2 CH13258 ⁽³⁾	0.865	
		2 –	N/C + N/C slow break	RH side or LH side	XY2 CH13278 ⁽³⁾	0.865	



XY2 CH13250

With pilot light (direct supply)

≤ 15 m	Grey RAL 7032	By booted pushbutton	24 V	1 1	N/C + N/O slow break	RH side or LH side	XY2 CH13253	0.900
				2 –	N/C + N/C slow break	RH side or LH side	XY2 CH13273	0.900

Latching Emergency stops

(turnbuckle, cable and end spring to be ordered separately) ⁽¹⁾

Without pilot light

≤ 50 m ⁽⁵⁾	Grey RAL 7032	By booted pushbutton –	1 1	N/C + N/O slow break	RH side	XY2 CE1A250 ⁽⁶⁾	1.450	
					LH side	XY2 CE2A250 ⁽⁶⁾	1.450	
				2 –	N/C + N/C slow break	RH side	XY2 CE1A270 ⁽⁶⁾	1.450
					LH side	XY2 CE2A270 ⁽⁶⁾	1.450	
1 1	N/C + N/O slow break	RH side	LH side	1 1	N/C + N/O slow break	RH side	XY2 CE1A450 ⁽⁶⁾	1.465
							LH side	XY2 CE2A450 ⁽⁶⁾
2 –	N/C + N/C slow break	RH side	LH side	2 –	N/C + N/C slow break	RH side	XY2 CE1A470 ⁽⁶⁾	1.470
							LH side	XY2 CE2A470 ⁽⁶⁾



XY2 CE1A250

With pilot light (direct supply)

≤ 50 m ⁽⁵⁾	Grey RAL 7032	By booted pushbutton	24 V, 48 V, 130 V (bulb not included)	2 2	N/C + N/O slow break	RH side	XY2 CE1A296	1.470
						LH side	XY2 CE2A296	1.470
				2 2	N/C + N/O slow break	RH side	XY2 CE1A297	1.470
						LH side	XY2 CE2A297	1.470

Other versions

See order forms on pages 38145-EN/4 and 38145-EN/5.

XY2 CE with reset by Ø 40 mm mushroom head pushbutton or with integral cable tensioner and support.

Please consult your Regional Sales Office.

⁽¹⁾ See separate components, page 38145-EN/7.

⁽²⁾ Ø 30 spring return, mushroom head, key operated pushbutton. Locking and key withdrawal in the rest (unactuated) position.

⁽³⁾ For ISO M20 threaded cable entry version, add H29 to the end of the reference selected. Example: **XY2 CH13250** becomes **XY2 CH13250H29**.

⁽⁴⁾ Only available on Emergency stop enclosures type XY2 CH1325● and XY2 CH1327● for standard, H29 and TK versions.

⁽⁵⁾ Available with window for viewing cable tension indicator, for adjustment whilst the cover is closed (see versions XY2 CE●D●●● and XY2 CE●E●●● on the order form, page 38145-EN/6).

⁽⁶⁾ ATEX version available (products for explosive atmospheres). To order, add **EX** to the end of the reference. Example: **XY2 CE1A250** becomes **XY2 CE1A250EX**.

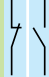



Safety dialogue solutions

Emergency stop trip wire switches, type XY2 C

Latching Emergency stops

(end spring included, turnbuckle and cable to be ordered separately) ⁽¹⁾

Without pilot light

Length of cable	Colour of enclosure	Reset	Type of contact	Cable anchor point	Reference	Weight kg
≤ 100 m	Blue	From inside enclosure		LH side	XY2 CB10	18.750
				RH side	XY2 CB20	18.750
				LH side	XY2 CB104	18.750
				RH side	XY2 CB204	18.750
≤ 2 x 100 m	Blue	From inside enclosure		RH and LH sides	XY2 CB30	29.250
				RH and LH sides	XY2 CB304	29.250

With pilot light

Length of cable	Colour of enclosure	Reset	Supply voltage	Type of contact	Cable anchor point	Reference	Weight kg
■ Direct supply							
≤ 100 m	Blue	From inside enclosure	24 V		LH side	XY2 CB11	19.550
					RH side	XY2 CB21	19.550
			48 V		LH side	XY2 CB12	19.550
					RH side	XY2 CB22	19.550
≤ 2 x 100 m	Blue	From inside enclosure	24 V		RH and LH sides	XY2 CB31	25.600
			48 V		RH and LH sides	XY2 CB32	30.050
■ Supply via integral transformer (2)							
≤ 100 m	Blue	From inside enclosure	127 V/6 V		LH side	XY2 CB13	15.600
					RH side	XY2 CB23	15.600
			220 V/6 V		LH side	XY2 CB14	15.600
					RH side	XY2 CB24	15.600
≤ 2 x 100 m	Blue	From inside enclosure	127 V/6 V		RH and LH sides	XY2 CB33	25.600
			220 V/6 V		RH and LH sides	XY2 CB34	25.600

(1) See separate components, page 38145-EN/7. End spring XY2 CZ702 included.

(2) Bulb DL1 CB006 included.



XY2 CB30

Complete units, pre-assembled

Customer			Schneider Electric Industries SA	
Company	Order N°	Delivery date	Sales office - Subsidiary Co.	Order N°

How to use this form:
 - indicate the number of Emergency stop switches required,
 - complete the basic reference.

Reference

Number of identical Emergency stops		XY2 CH						
Model								
Emergency stop (latching)		1						
Degree of protection								
IP 65 (standard bellows) without tensioner		1						
IP 65 (silicone bellows) without tensioner		2						
IP 65 (standard bellows) with integral tensioner		3						
IP 65 (silicone bellows) with integral tensioner		4						
Type of reset								
Emergency stop (1)	Flush	1						
Reset by spring return pushbutton	Booted	2						
	Mushroom head, Ø 30	3						
	Key operated mushroom head, Ø 30 (key n° 421)	4						
	Key operated mushroom head, Ø 30 (key n° 455)	5						
	Key operated mushroom head, Ø 30 (2)	9						
Contact block for Emergency stop function (3)								
Slow break	1 N/C + N/O (N/O staggered)	5						
	1 N/C + N/C	7						
Pilot light								
Without pilot light		0						
With 24 V direct supply pilot light		3						
With 48 V direct supply pilot light		4						
With 130 V direct supply pilot light		5						
With 230 V direct supply pilot light		7						
1/2" NPT tapped cable entries							H7 (4)	
ISO M20 tapped cable entries							H29	
Increased protective treatment against corrosion								TK (5)
(1) Opening of a circuit + mechanical latching in the open position.								
(2) Other key numbers:								
458A	520E	1242A	1243E	1344A	1422A	1431E		
2123E	2132E							
(3) Emergency stop trip wire switches can only be fitted with slow break contact blocks.								
(4) Only for versions without pilot light. For versions with pilot light, order an H4 version.								
(5) Protective treatment TK is only possible for switches with silicone bellows (XY2 CH12●●●TK, XY2 CH14●●●H29TK...).								

Complete units, pre-assembled

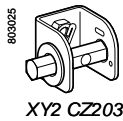
Customer			Schneider Electric Industries SA	
Company	Order N°	Delivery date	Sales office - Subsidiary Co.	Order N°

How to use this form:
 - indicate the number of Emergency stop switches required,
 - complete the basic reference.

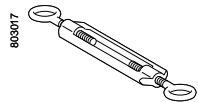
Reference

Number of identical Emergency stops	<input type="text"/>	XY2 CE	<input type="checkbox"/>	<input type="checkbox"/>	<input type="checkbox"/>	<input type="checkbox"/>	<input type="checkbox"/>	<input type="checkbox"/>	<input type="checkbox"/>
Model									
Emergency stop (latching)	Anchor point on RH side, standard force	1							
	Anchor point on LH side, standard force	2							
	Anchor point on RH side, light force	5							
	Anchor point on LH side, light force	6							
Degree of protection and "cable tension indicator" window									
	IP 65 (standard bellows) without "cable tension indicator" window	A							
	IP 65 (silicone bellows) without "cable tension indicator" window	C							
	IP 65 (standard bellows) with "cable tension indicator" window	D							
	IP 65 (silicone bellows) with "cable tension indicator" window	E							
Type of reset									
Emergency stop (1)	Flush	1							
Reset by spring	Booted	2							
return pushbutton	Mushroom head, Ø 30	3							
	Key operated mushroom head, Ø 30 (n° 421)	4							
	Key operated mushroom head, Ø 30 (n° 455)	5							
	Key operated mushroom head, Ø 30 (2)	9							
Contact block for Emergency stop function (3)									
Slow break	1 N/C + N/O	5							
	1 N/C + N/C	7							
	2 N/C + N/O (compulsory with pilot light) (4)	9							
Pilot light									
	Without pilot light	0							
	With 24-48-130 V direct supply pilot light. Bulb not included (provide for 2 contact blocks)	6							
	With 230 V direct supply, via integral resistor, pilot light. Bulb included (provide for 2 contact blocks) (5)	7							
	1/2" NPT tapped cable entries							H7 (6)	
	Increased protective treatment against corrosion								TK (7)

(1) Opening of N/C contact + mechanical latching in the open position.
 (2) Other key numbers:
 458A 520E 1242A 1243E 1344A 1422A 1431E
 2123E 2132E
 (3) Emergency stop trip wire switches can only be fitted with slow break contact blocks.
 (4) The use of a pilot light means selecting a switch fitted with 2 N/C + N/O contacts: XY2 CE●●●9.
 (5) Replacement bulb: DL1 CE130.
 (6) For versions with pilot light, order an H4 version.
 (7) Protective treatment TK is only possible for switches with silicone bellows (XY2 CE●C●●TK, XY2 CE●E●●H7TK...).



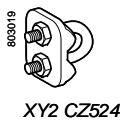
XY2 CZ203



XY2 CZ402



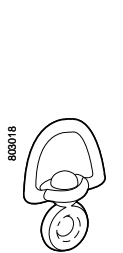
XY2 CZ503



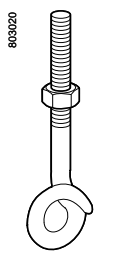
XY2 CZ524



XY2 CZ601



XY2 CZ602



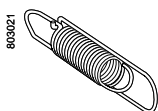
XY2 CZ705



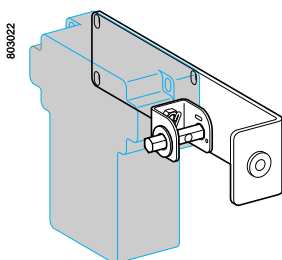
XY2 CZ708



XY2 CZ701



XY2 CZ702



XY2 CZ917

Separate components

Description	For use with	Diameter mm	Length m	Reference	Weight kg
Galvanised cables with red sheath	XY2 CH, XY2 CE and XY2 CB	3.2	10.5	XY2 CZ301	0.280
			15.5	XY2 CZ3015	0.410
			25.5	XY2 CZ302	0.690
			50.5	XY2 CZ305	1.360
			100.5	XY2 CZ310	2.700
	XY2 CH and XY2 CE	5	15.5	XY2 CZ1015	0.850
			25.5	XY2 CZ102	1.400
			50.5	XY2 CZ105	2.750
			100.5	XY2 CZ110	5.500

Description	Type	For use with	Sold in lots of	Unit reference	Weight kg
Tensioner	–	XY2 CE only	1	XY2 CZ203	0.09
Turnbuckles	M6 x 60 + locknut	All models (1)	1	XY2 CZ402	0.060
		M8 x 70 + locknut	All models (1)	1	XY2 CZ404
Cable grips	Single	Cable Ø 3 to 5 mm	10	XY2 CZ503	0.007
	Double	Cable Ø 3 to 5 mm	10	XY2 CZ513	0.016
	Clamp	Cable Ø 3.2 mm	10	XY2 CZ523	0.050
		Cable Ø 5 mm	10	XY2 CZ524	0.080
Cable supports	Fixed	All models	10	XY2 CZ601	0.030
	Swivelling	All models	1	XY2 CZ602	0.130
	Pulley support	XY2 CH and XY2 CE	1	XY2 CZ705	0.060
Pulley	Cable Ø 5 mm max.	XY2 CH and XY2 CE	1	XY2 CZ708	0.002
Cable end protectors		Cable Ø 3.2 mm	10	XY2 CZ701	0.002
		Cable Ø 5 mm	10	XY2 CZ704	0.010
End springs		XY2 CH	1	XY2 CZ703	0.035
		XY2 CE and XY2 CB	1	XY2 CZ702	0.080

Mounting kits

Contents	For use with	Cable diameter mm	Length of cable m	Reference	Weight kg
1 tensioner XY2 CZ203 + 1 bracket	XY2 CE	–	–	XY2 CZ917	0.612
1 galvanised cable + 1 cable grip XY2 CZ523 + 1 end spring XY2 CZ703	XY2 CH	3.2	10	XY2 CZ9310	0.415
			15	XY2 CZ9315	0.535
1 galvanised cable + 4 cable grips XY2 CZ523 + 1 turnbuckle XY2 CZ404 + 1 cable support XY2 CZ601	XY2 CE	3.2	25	XY2 CZ9325	10
+ 3 cable end protectors XY2 CZ701 + 1 end spring XY2 CZ702	XY2 CE and XY2 CB	3.2	50	XY2 CZ9350	1.980
1 galvanised cable + 4 cable grips XY2 CZ524 + 1 turnbuckle XY2 CZ404 + 1 cable support XY2 CZ601	XY2 CE	5	25	XY2 CZ9525	1.905
+ 3 cable end protectors XY2 CZ704 + 1 end spring XY2 CZ702			50	XY2 CZ9550	3.280

Documentation

Description	For use with	Reference	Weight kg
Installation manual	XY2 CH and XY2 CE	XCOM2512	0.200

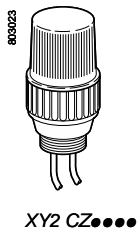
(1) Emergency stop trip wire switches XY2 CH13●●● and XY2 CH14●●● incorporate a cable tensioner as standard. Therefore, there is no need to order a turnbuckle.

Safety dialogue solutions

Emergency stop trip wire switches, type XY2 C

Replacement parts

Description	Type	Reference	Weight kg	
Reset pushbutton (blue), spring return for XY2 CH and XY2 CE	Flush with "R" marked on push	ZA2 BA639	0.030	
	Booted	ZA2 BP6	0.025	
	Mushroom head, Ø 30	ZA2 BC64	0.045	
	Key operated mushroom head, Ø 30 (key n° 421)	ZA2 BS06212	0.090	
	Key operated mushroom head, Ø 30 (key n° 455)	ZA2 BS062	0.090	
Keys for reset button	N° 421	Q99900911	0.006	
	N° 455	Q99900901	0.006	
Pilot light head assembly	Orange, for XY2 CH and XY2 CE	ZA2 BV05	0.015	
Pilot light lens	Orange, for XY2 CH and XY2 CE	ZB2 BV015	0.003	
Fixing nut	Black plastic nut for head ZA2 B	ZA2 BZ901	0.002	
Fixing nut tightening tool	Black plastic socket wrench for fixing nut ZA2 BZ901	ZA2 BZ901	0.060	
Pilot lights With bulb DL1 AA●●● included	Orange, for XY2 CH	24 V	XY2 CZ0024 (1)	0.035
		48 V	XY2 CZ0048 (1)	0.035
		130 V	XY2 CZ0130 (1)	0.035
		230 V	XY2 CZ0230 (1)	0.035
	Red, for XY2 CB	24 V	9001 KP35R9	0.134
		48 V	9001 KP36R9	0.134
		120 V	9001 KP1R9	0.210
		230 V	9001 KP7R9	0.210



Description	Type		Sold in lots of	Unit reference	Weight kg		
Incandescent bulbs	Screw base fitting for XY2 CH	24 V - 6 W	10	DL1 AA024	0.004		
		48 V - 6 W	10	DL1 AA048	0.004		
		130 V - 6 W	10	DL1 AA127	0.004		
		230 V - 6 W	10	DL1 AA220	0.004		
	BA 9s base fitting for XY2 CE and XY2 CB	24 V - 2.6 W	10	DL1 CE024	0.002		
		48 V - 2.6 W	10	DL1 CE048	0.002		
BA 9s base fitting for XY2 CE	130 V - 2.6 W	10	DL1 CE130	0.002			
	BA 9s base fitting for XY2 CB 120 V and 230 V	6 V - 1.2 W	10	DL1 CB006	0.002		
		Packet of 5 collars	For mounting DL1 AA127 and DL1 AA220 bulbs in pilot lights XY2 CZ●●●●	5	XY2 CZ908	0.018	
Dust and damp protecting bellows	For XY2 CE	Polychloroprene	1	XY2 CZ901	0.017		
		Silicone	1	XY2 CZ904	0.005		
	For XY2 CH	Polychloroprene	1	XY2 CZ902	0.017		
		Silicone	1	XY2 CZ903	0.005		
		Adaptor	For XY2 CB	ISO M20	5	DE9 RP13520	0.050

(1) Only for use as replacement parts for switches pre-fitted with pilot lights. CCC and UL-CSA approvals no longer apply if a pilot light XY2 CZ●●●● is mounted on Emergency stops XY2 CH.

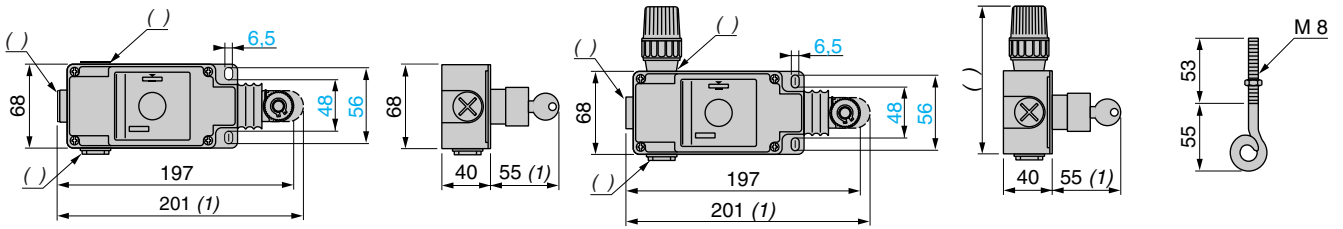
XY2 CH

Without pilot light

With pilot light

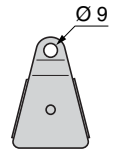
Accessories

XY2 CZ705



- (1) Maximum extension.
- (2) Tapped entries for n° 13 (Pg 13.5) cable gland. For ISO M20 the reference becomes XY2 CH●●●●●H29.
- (3) 121 mm: 24 V and 48 V versions. 131 mm: 130 V and 230 V versions.

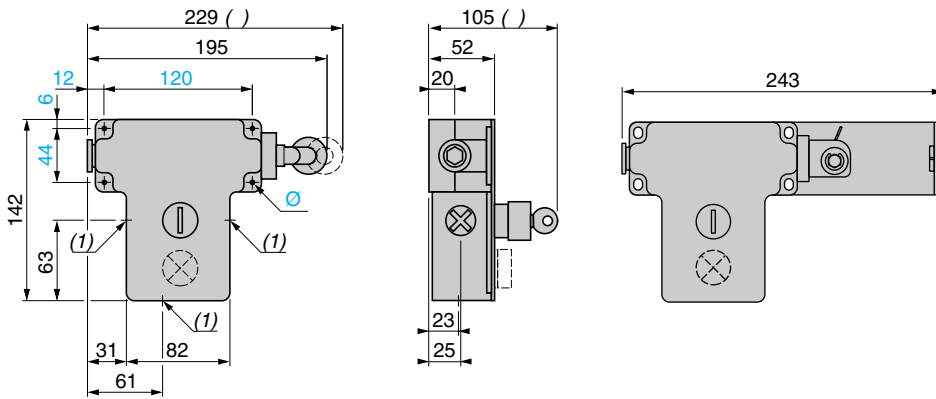
XY2 CZ708



XY2 CE

XY2 CE●A●●●, XY2 CE●C●●●

XY2 CE●A●●● + XY2 CZ917 (tensioner + bracket)

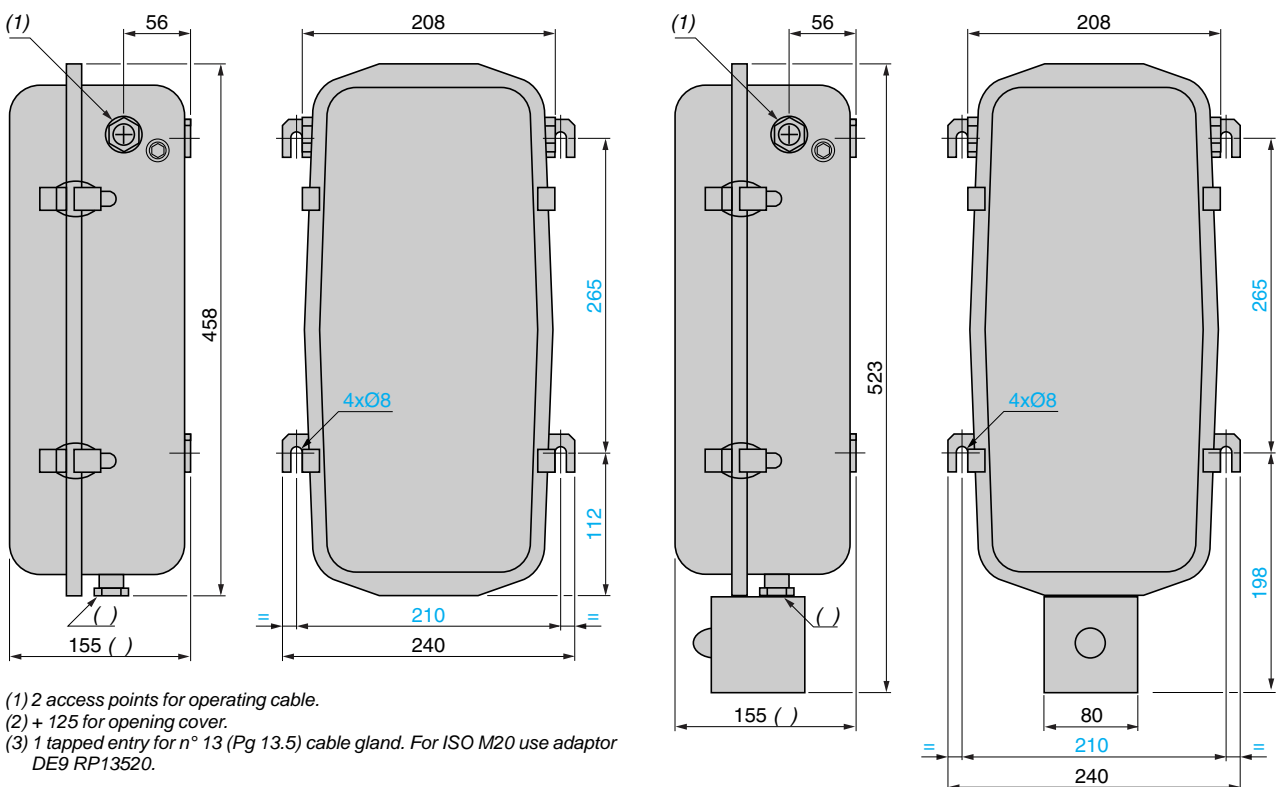


- (1) 3 plain holes for n° 13 (Pg 13.5) or ISO M20 cable gland.
- (2) Maximum extension.
- ∅: 4 elongated holes ∅ 6 mm.

XY2 CB

Without pilot light

With pilot light



- (1) 2 access points for operating cable.
- (2) + 125 for opening cover.
- (3) 1 tapped entry for n° 13 (Pg 13.5) cable gland. For ISO M20 use adaptor DE9 RP13520.