

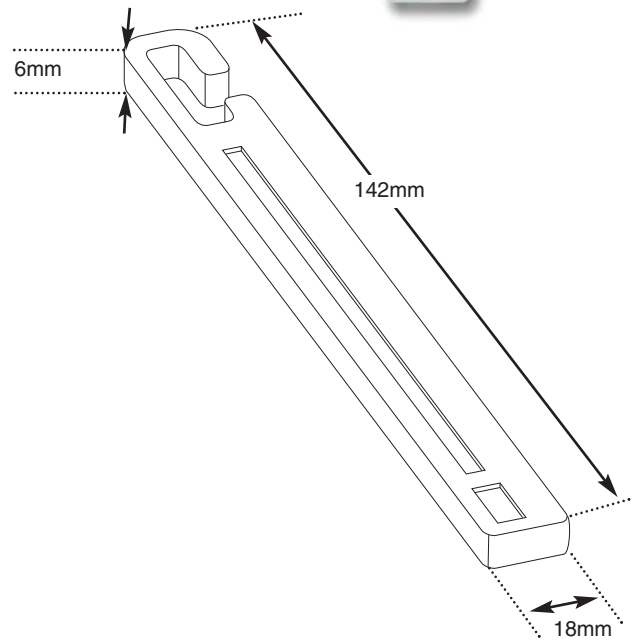


Vertical Fridge or Freezer Thermometer

White vertical fridge or freezer thermometer with blue temperature scale indicating recommended food storage zones.

Product Specifications

- Nominal Range:** -30 to +40°C*
- Accuracy:** +/- 1.0°C @ 10°C
- CE:** N/A
- ROHS/WEEE:** N/A
- Hazard Information (SDS):** See www.brannan.co.uk for information
- Product Material:** Moulding: High Impact Styrene
Glass Tube: Kerosene filled
- Component Weights:** Plastic - 6g
Glass - 4g
- Product Weight:** Unpackaged - 10g
Packaged - 18g
- Product Dimensions :** Unpackaged - 142 x 18 x 6mm
Packaged - 218 x 57 x 7mm
- Display Card Weight:** 6g - 600mu board
- Display Card Dimensions:** 218 x 57 x 0.5mm
- Display PVC Blister Weight:** 2g
- Display PVC Blister Dimensions:** 78 x 47 x 6.5mm



Description	Nominal Range*	Divisions	Barcode	Product No
Vertical Fridge or Freezer Thermometer	-30 +40°C	1.0°C	5 011405 224903	22/491/2

* Temperature ranges may have different upper and lower temperature extremes than stated due to manufacturing processes.

PDS 0033:09:R0

