

# Reed Switch/Direct Mounting

## D-Z73/D-Z76/D-Z80

### Grommet



### Applicable Actuator Series

Series	Bore size (mm)
MGQ, MVGQ, MGP	φ12, φ16, φ20, φ25, φ32, φ40, φ50, φ63, φ80, φ100
CXS	φ6, φ10, φ15, φ20, φ25, φ32
RSH	φ20, φ32, φ50, φ63, φ80
MY1B	φ25, φ32, φ40, φ50, φ63, φ80, φ100
MY1M, MY1C, CY1R	φ25, φ32, φ40, φ50, φ63
MY1H, ML2B	φ25, φ32, φ40
MGF	φ40, φ63, φ100
CY1H	φ10, φ15, φ20, φ25, φ32

### Specifications

PLC: Programmable Logic Controller

#### D-Z7 (With indicator light)

Auto switch model number	D-Z73	D-Z76
Application	Relay/PLC	IC circuit
Load voltage	24V DC	100V AC
Max. load current and load current range	5 to 40mA	5 to 20mA
Contact protection circuit	None	
Internal voltage drop	≤ 2.4V (up to 20mA)/≤ 3V (up to 30mA)	≤ 0.8V
Indicator light	ON: When red light emitting diode	

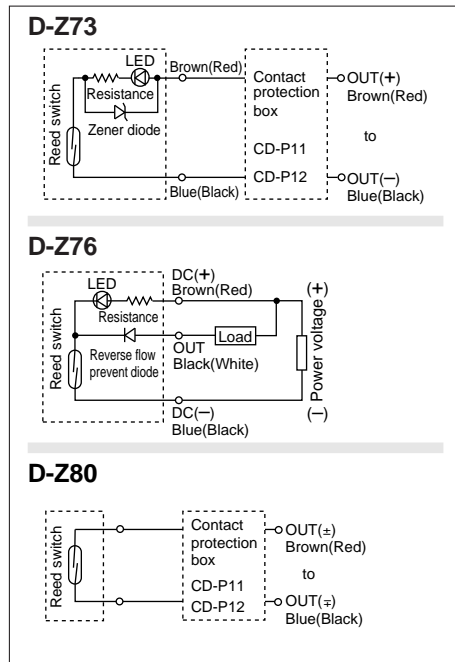
#### D-Z8 (Without indicator light)

Auto switch model number	D-Z80		
Application	Relay/PLC/IC circuit		
Load voltage	24V AC DC or less	48V AC DC or less	100V AC DC or less
Max. load current	50mA	40mA	20mA
Contact protection circuit	None		
Internal resistance	1Ω or less (Including 3m lead wire)		

● Lead wire — Oilproof vinyl heavy insulation cable, φ3.4, 0.2mm<sup>2</sup>, 3 cores (Brown, Black, Blue), 2 cores (Brown, Blue), 0.5m  
 Note 1) Refer to common specifications on p.5.3-5.  
 Note 2) Refer to p.5.3-5 for lead wire length.

### Internal Circuit

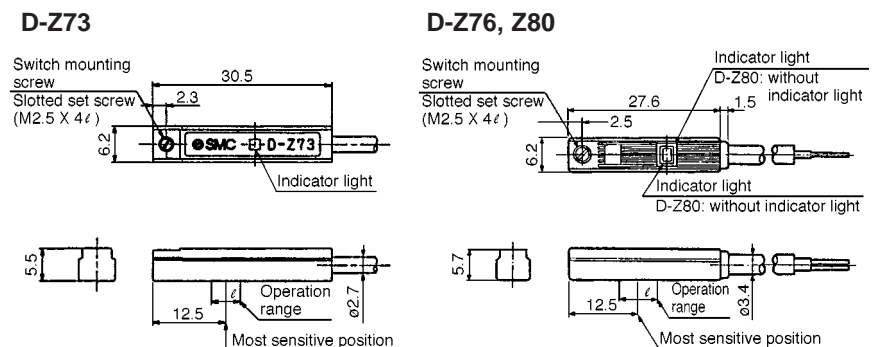
( ): If not applicable for IEC Standard



Note) ① In the case operation load is an inductive load.  
 ② In the case the wiring length to ">" 5m.  
 ③ In the case the load voltage is 100V AC.

Be sure to use the auto switch with the contact protection box in any case mentioned above. Refer to the p.5.3-6 for the details of contact protection box.

### Dimensions



### Operation Range (ℓ Dimension)

Actuator series	Bore size												
	6	10	12	15	16	20	25	32	40	50	63	80	100
MGQ, MVGQ	—	—	7.5	—	8.5	9.5	9.5	11	11	11	13	13	14
CXS	9	7	—	9	—	9	9	11	—	—	—	—	—
MGP	—	—	7.5	—	10	10	10	10.5	10.5	10.5	11.5	11.5	12
RSH	—	—	—	—	—	8.5	—	7	—	9.5	10.5	11.5	—
MY1B	—	—	—	—	—	—	12	12	12	12	12	12	12
MY1M, MY1C	—	—	—	—	—	—	12	12	12	12	12	—	—
MY1H, ML2B	—	—	—	—	—	—	12	12	12	—	—	—	—
MGF	—	—	—	—	—	—	—	—	13.5	—	12	—	13
CY1H	—	8	—	6	—	6	6	9	—	—	—	—	—
CY1R	—	—	—	—	—	—	9	9	11	11	—	—	—

Note) Average value at normal temperature including hysteresis. (Tolerance ±30%)