

# SMS relay - TC MOBILE I/O X200-4G AC - 1038568

Please be informed that the data shown in this PDF Document is generated from our Online Catalog. Please find the complete data in the user's documentation. Our General Terms of Use for Downloads are valid (<http://phoenixcontact.com/download>)



SMS relay and signaling module, European version, monitor digital values via mobile network, switch relay outputs remotely, communication via SMS or mobile network data connection (e-mail transmission, app), supply voltage 93 V ... 250 V AC

## Product Description


The compact electronic alarm annunciator monitors digital values via the mobile network. It also switches relay outputs remotely. The device offers numerous helpful software functions, such as mobile communication diagnostics, sending of log books via e-mail, and different user roles. A USB connection to a computer with a web browser is all that is needed for configuration.

## Your advantages

- ✓ Future-proof 4G technology (LTE CAT1), simultaneous use of well-established 2G networks (GSM, GPRS, EDGE)
- ✓ Alerts via SMS in the field and, for example, via e-mail in the control room
- ✓ Message chain for sending an alert to the relevant service technician
- ✓ Alarm generation on voltage failure via SMS
- ✓ Free switching via phone call
- ✓ Cost control for prepaid cards
- ✓ Remote commands to avoid on-site servicing: switching, configuration commands, and logbook transmission
- ✓ Compact design also for domestic installations (4 HP, DIN 43880)
- ✓ Mounting on DIN rail or on the wall



## Key Commercial Data

Packing unit	1 pc
GTIN	 4 0 5 5 6 2 6 5 9 2 4 1 1
GTIN	4055626592411
Weight per Piece (excluding packing)	231.800 g
Custom tariff number	85176200
Country of origin	Germany

## Technical data

### Dimensions

Width	72 mm
-------	-------

# SMS relay - TC MOBILE I/O X200-4G AC - 1038568

## Technical data

### Dimensions

Height	90 mm
Depth	62 mm

### Ambient conditions

Ambient temperature (operation)	-25 °C ... 70 °C (SMS mode only, note the derating information in the technical documentation for data connection)
Ambient temperature (storage/transport)	-40 °C ... 85 °C
Permissible humidity (operation)	0 % ... 95 %
Altitude	2000 m
Degree of protection	IP20

### General

Electromagnetic compatibility	Conformance with RED Directive 2014/53/EU
Net weight	231.8 g
Housing material	Polycarbonate
MTTF	772 Years (SN 29500 standard, temperature 25 °C, operating cycle 21 % (5 days a week, 8 hours a day))
	363 Years (SN 29500 standard, temperature 40 °C, operating cycle 34.25 % (5 days a week, 12 hours a day))
	150 Years (SN 29500 standard, temperature 40 °C, operating cycle 100 % (7 days a week, 24 hours a day))
Wireless licences	Europe

### Power supply

Supply voltage range	93 V AC ... 250 V AC (47.5 Hz ... 63 Hz)
Max. current consumption	90 mA
Typical current consumption	15 mA (for 230 V AC)
Conductor cross section flexible max.	2.50 mm <sup>2</sup>
Conductor cross section flexible min.	0.20 mm <sup>2</sup>
Conductor cross section solid max.	2.50 mm <sup>2</sup>
Conductor cross section solid min.	0.20 mm <sup>2</sup>
Max. AWG conductor cross section, flexible	14
Min. AWG conductor cross section, flexible	24
Conductor cross section AWG max.	14
Conductor cross section AWG min.	24

### Interfaces

Interface 1	USB 2.0
Connection method	Mini-USB type B, 5-pos.
Transmission length	≤ 3 m (only for configuration and diagnostics)

### Wireless interface

Interface description	GSM / GPRS / EDGE / LTE (FDD)
Frequency	850 MHz (2 W (EGSM))
	900 MHz (2 W (EGSM))

# SMS relay - TC MOBILE I/O X200-4G AC - 1038568

## Technical data

### Wireless interface

	1800 MHz (1 W (EGSM))
	1900 MHz (1 W (EGSM))
	800 MHz (LTE B20)
	1800 MHz (LTE B3)
	2600 MHz (LTE B7)
GPRS	Multislot Class 33
EDGE	Multislot Class 33
LTE	CAT1
Country support	Europe

### Digital outputs

Output name	Relay output
Number of outputs	4
Contact type	N/O contact
Minimum switching voltage	5 V
Maximum switching voltage	125 V DC
	250 V AC
Limiting continuous current	5 A
Switching capacity	750 VA
Electrical service life	150000 cycles (5 A / 30 V DC)
	150000 cycles (3 A / 120 V AC)
	30000 cycles (5 A / 250 V AC)

### Digital inputs

Description of the input	Digital input
Number of inputs	4
Switching level "0" signal	0 V AC ... 50 V AC
Switching level "1" signal	90 V AC ... 250 V AC

### Conformance/approvals

Designation	CE
Identification	CE-compliant

### Standards and Regulations

Electromagnetic compatibility	Conformance with RED Directive 2014/53/EU
Standards/regulations	EN 61000-4-2
Contact discharge	± 6 kV
Indirect discharge	± 6 kV
Standards/regulations	EN 61000-4-3
Frequency range	26 MHz ... 6 GHz
Standards/regulations	EN 61000-4-4
Comments	Criterion B
Standards/regulations	EN 61000-4-5

# SMS relay - TC MOBILE I/O X200-4G AC - 1038568

## Technical data

### Standards and Regulations

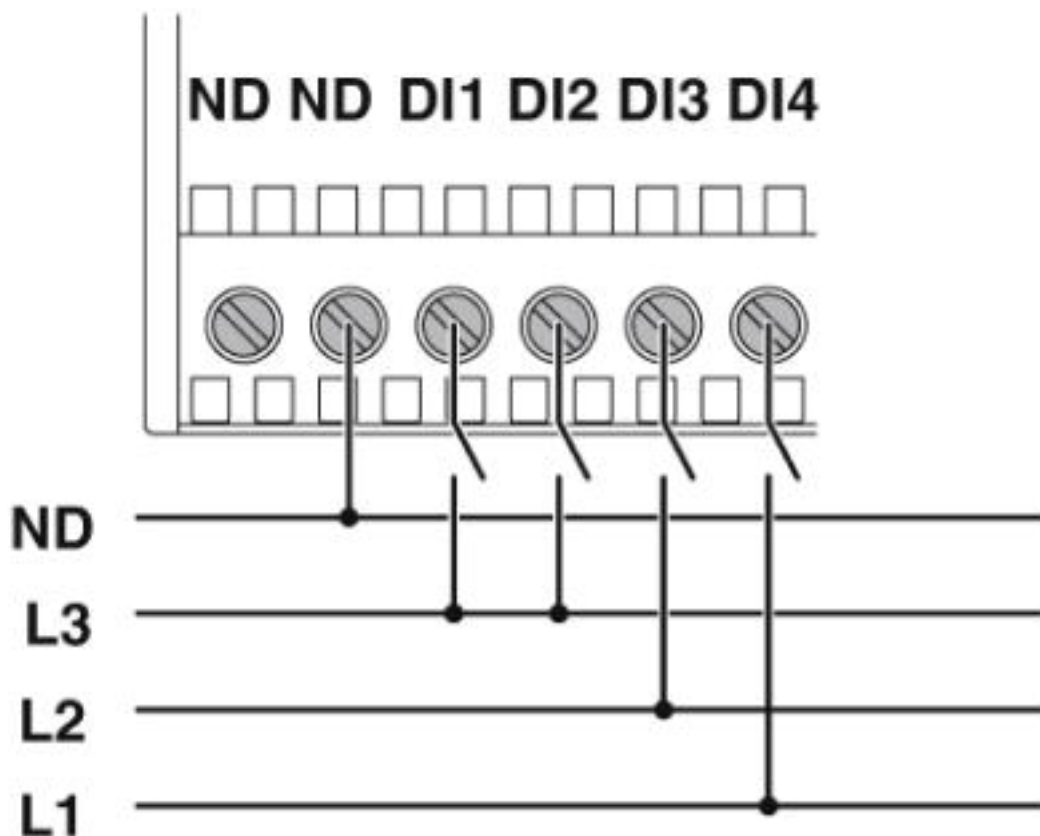
Signal	± 1 kV (Data line, asymmetrical)
Standards/regulations	EN 61000-4-6
Frequency range	0.15 MHz ... 80 MHz
Standards/regulations	EN 61000-4-11
	EN 50360
	EN 50121-4

### Environmental Product Compliance

REACH SVHC	Cadmium oxide 1306-19-0
China RoHS	Environmentally Friendly Use Period = 50 years
	For details about hazardous substances go to tab "Downloads", Category "Manufacturer's declaration"

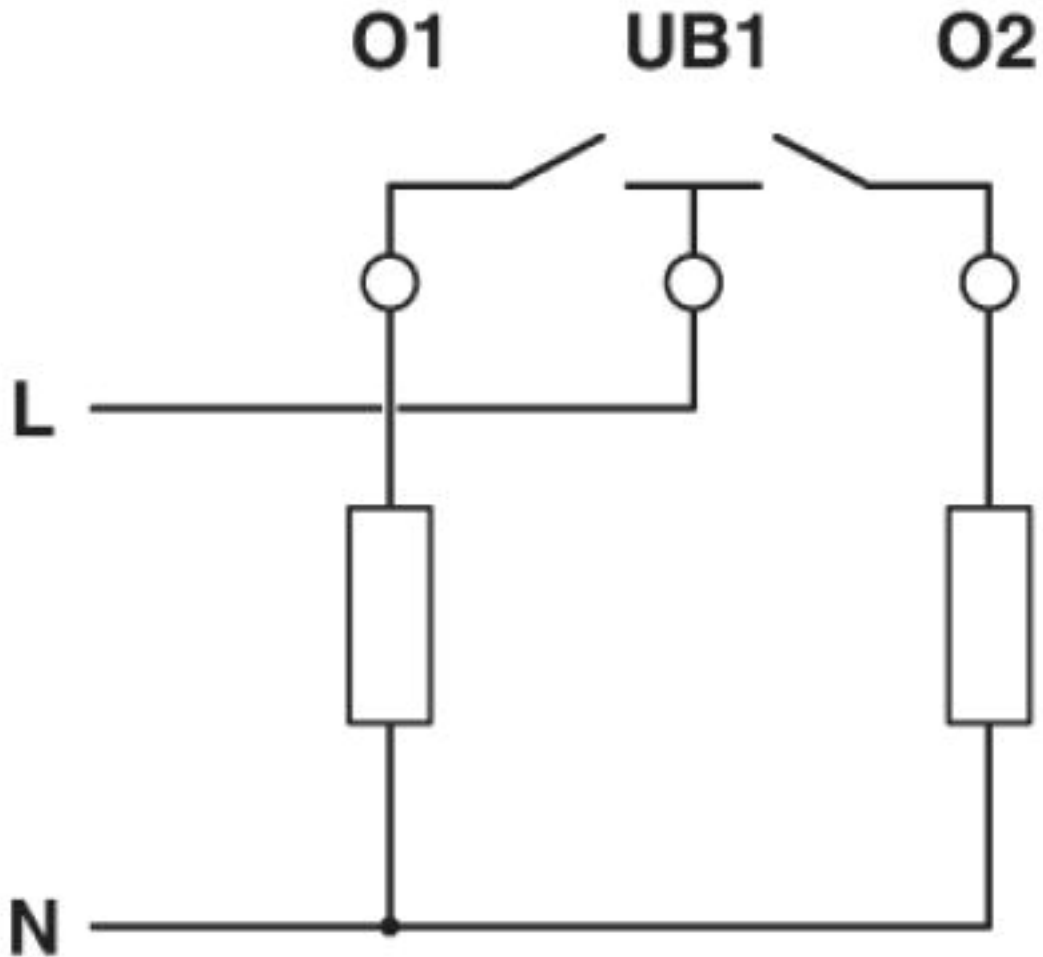
## Drawings

Connection diagram



# SMS relay - TC MOBILE I/O X200-4G AC - 1038568

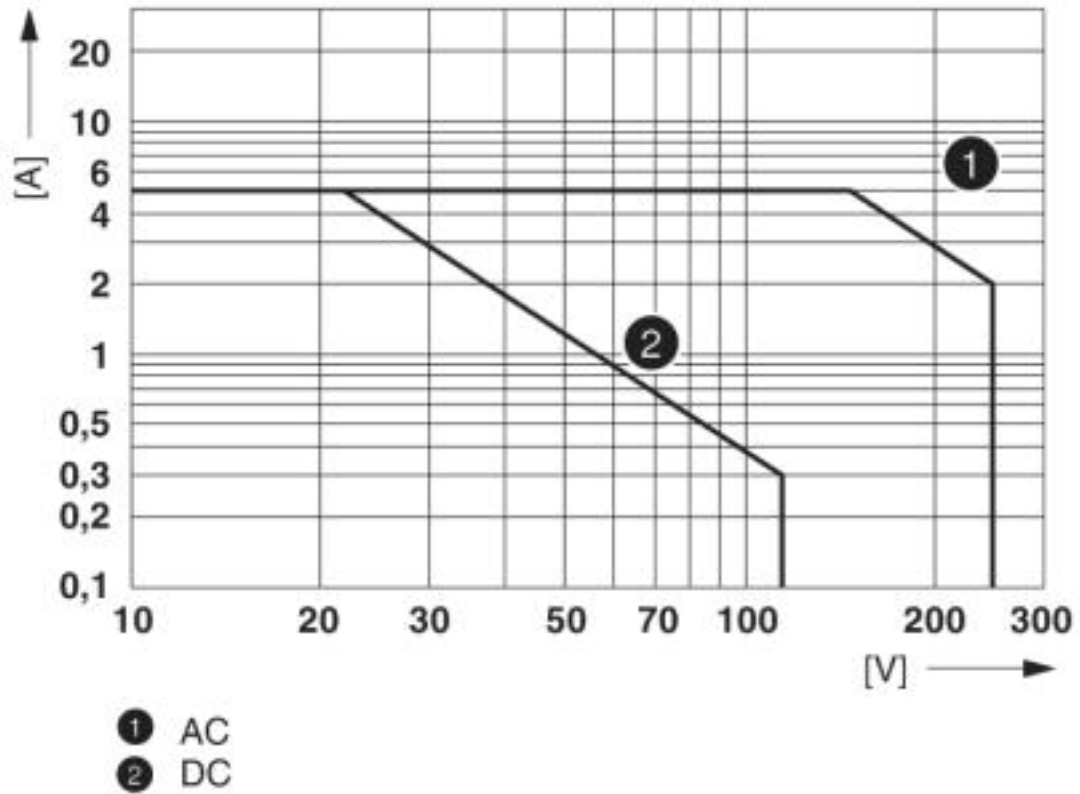
Connection diagram



Floating relay contacts

# SMS relay - TC MOBILE I/O X200-4G AC - 1038568

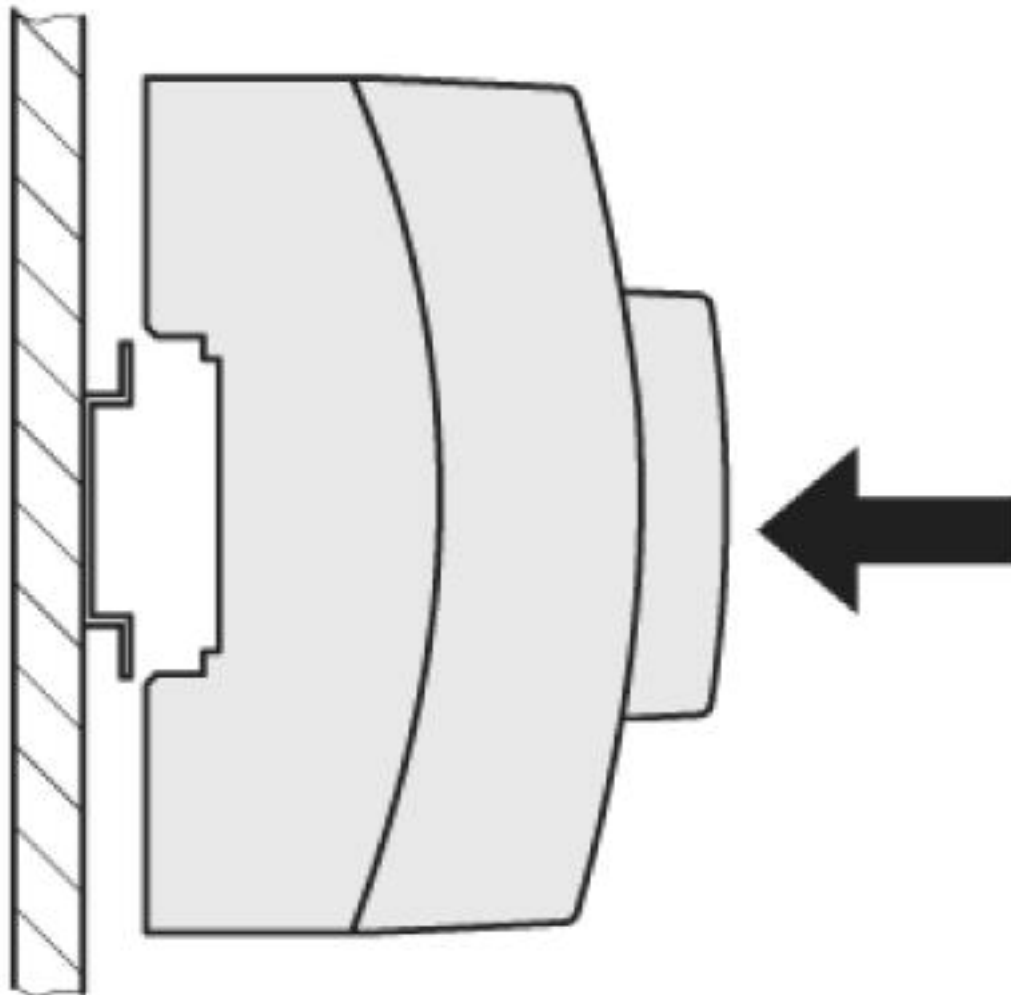
Diagram



Relay, max. load switching capacity, resistive load

## SMS relay - TC MOBILE I/O X200-4G AC - 1038568

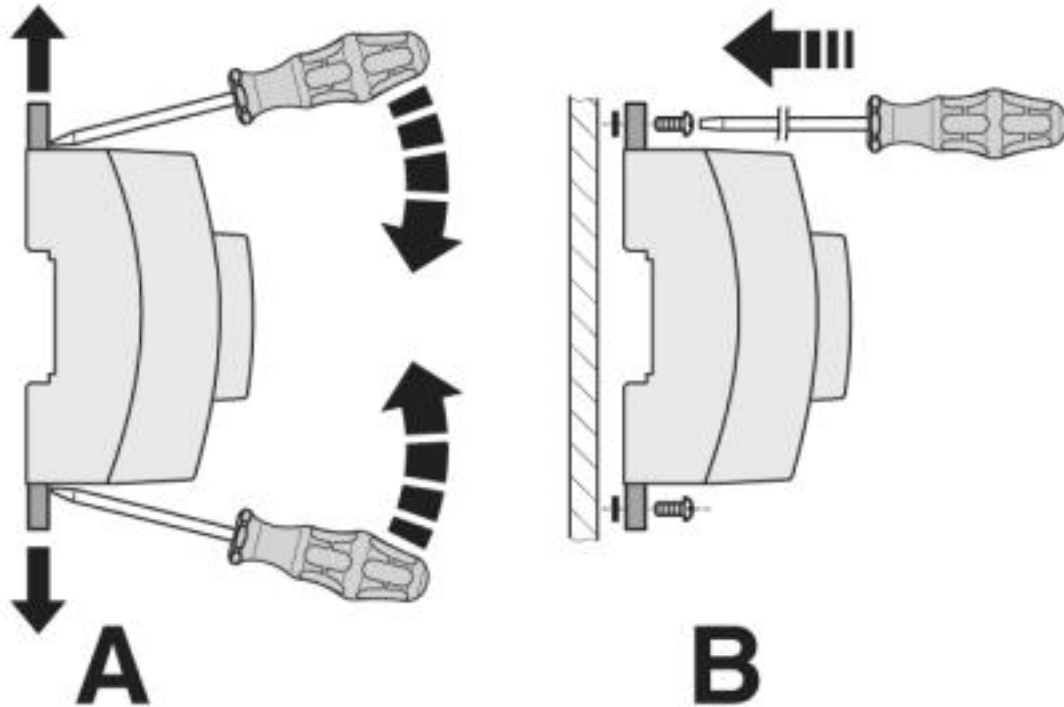
Schematic diagram



DIN rail mounting

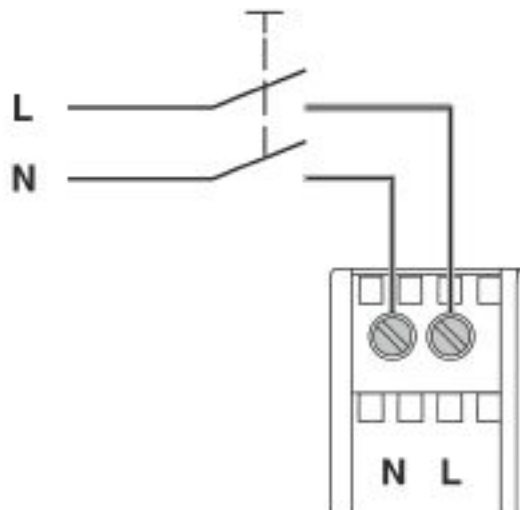
# SMS relay - TC MOBILE I/O X200-4G AC - 1038568

Schematic diagram



Wall mounting

Schematic diagram

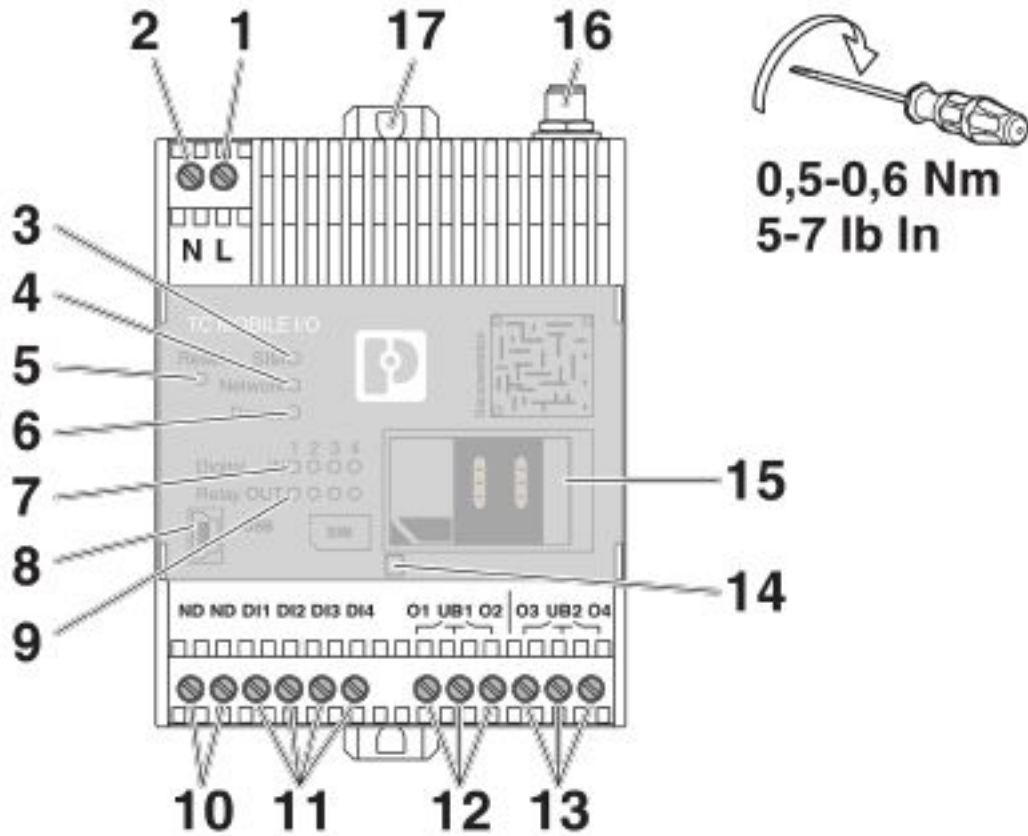


Connecting the supply voltage



# SMS relay - TC MOBILE I/O X200-4G AC - 1038568

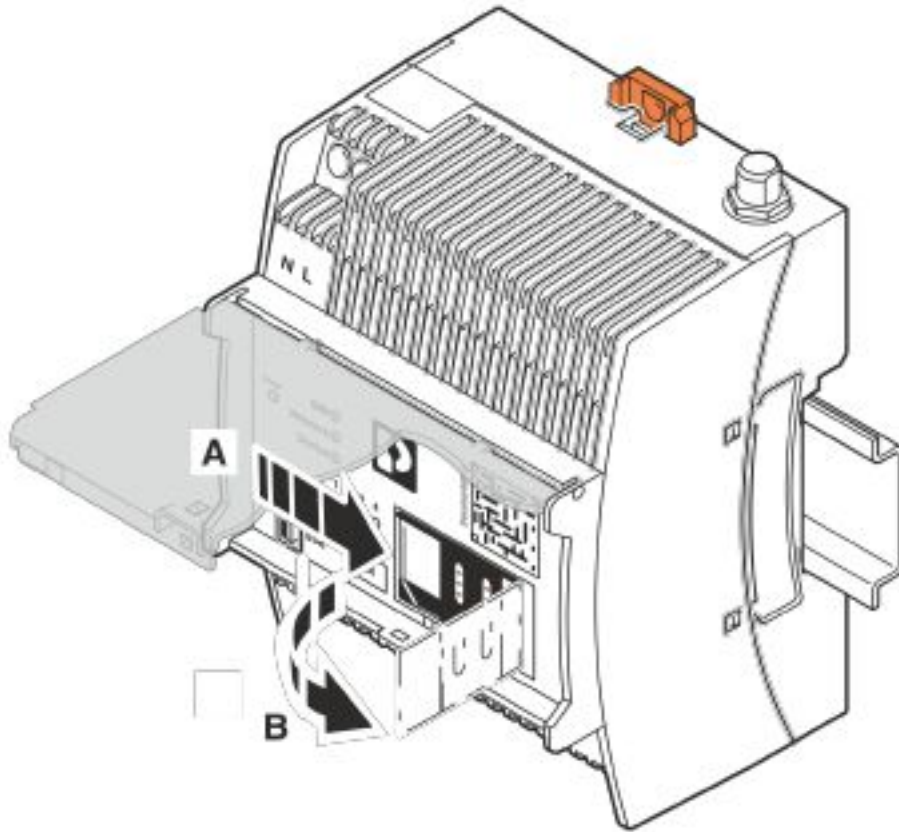
Schematic diagram



Front view

## SMS relay - TC MOBILE I/O X200-4G AC - 1038568

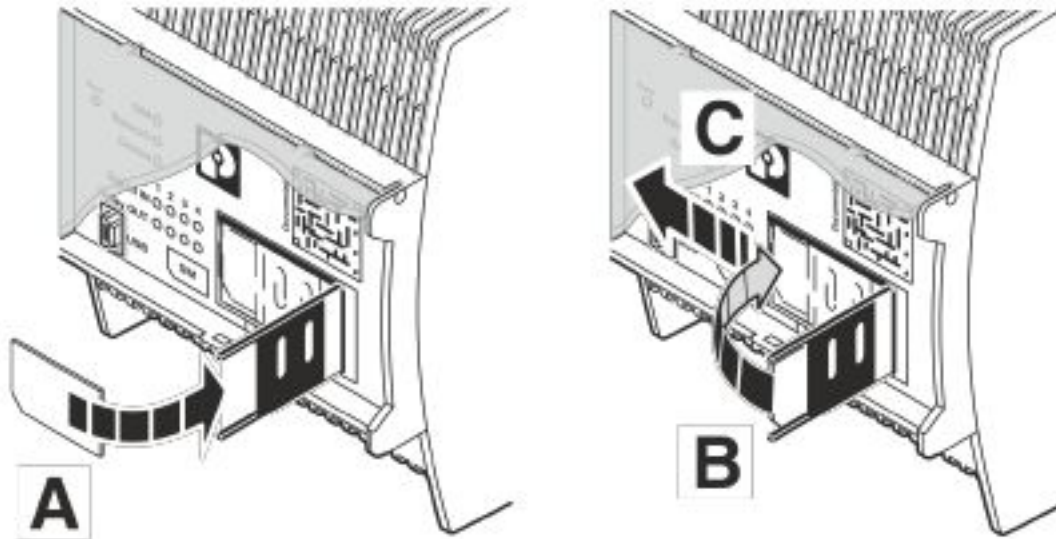
Schematic diagram



Insert the SIM card

# SMS relay - TC MOBILE I/O X200-4G AC - 1038568

Schematic diagram



Insert the SIM card

## Classifications

### eCl@ss

eCl@ss 4.0	27250312
eCl@ss 4.1	27250312
eCl@ss 5.0	27242208
eCl@ss 5.1	27242200
eCl@ss 6.0	19179200
eCl@ss 7.0	19179290
eCl@ss 8.0	19179290
eCl@ss 9.0	27242608

### ETIM

ETIM 3.0	EC000310
ETIM 4.0	EC000310
ETIM 5.0	EC001604
ETIM 6.0	EC001604
ETIM 7.0	EC001604

### UNSPSC

UNSPSC 6.01	30211506
UNSPSC 7.0901	39121008
UNSPSC 11	39121008
UNSPSC 12.01	39121008
UNSPSC 13.2	43222604

# SMS relay - TC MOBILE I/O X200-4G AC - 1038568

## Classifications

### UNSPSC

UNSPSC 18.0	32151602
UNSPSC 19.0	32151602
UNSPSC 20.0	32151602
UNSPSC 21.0	32151602

## Accessories

### Accessories

#### Antenna

Antenna - TC ANT MOBILE WALL 5M - 2702273



Multiband cellular antenna with mounting bracket for outdoor installation, 5 m antenna cable with SMA circular connector, suitable for LTE/4G

---

#### Coaxial cable

Antenna cable - PSI-CAB-GSM/UMTS-10M - 2900981



Cellular antenna cable, 10 m in length, SMA (male) -> SMA (female), 50 ohm impedance

Antenna cable - PSI-CAB-GSM/UMTS- 5M - 2900980



Cellular antenna cable, 5 m in length, SMA (male) -> SMA (female), 50 ohm impedance

---

#### Programming cable

USB cable - CABLE-USB/MINI-USB-3,0M - 2986135



USB connecting cable: USB plug type A to USB plug type Mini-B; length: 3 m

## SMS relay - TC MOBILE I/O X200-4G AC - 1038568

### Accessories

Surge protection for transceiver systems

Surge protection device - CSMA-LAMBDA/4-2.0-BS-SET - 2800491



Attachment plug with Lambda/4 technology as surge protection for coaxial signal interfaces. Connection: Male/female SMA connectors.