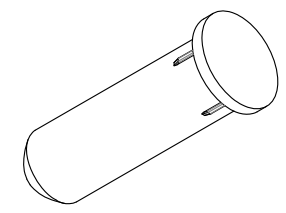
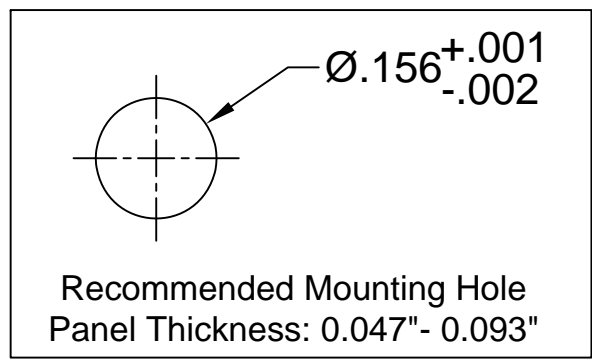
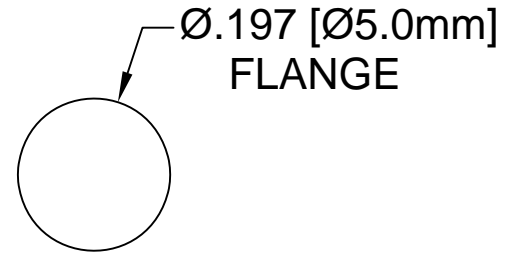
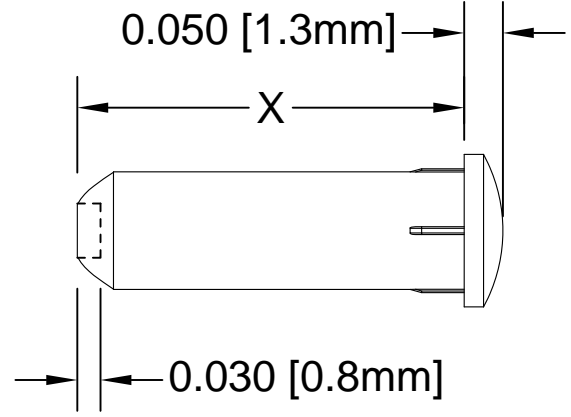
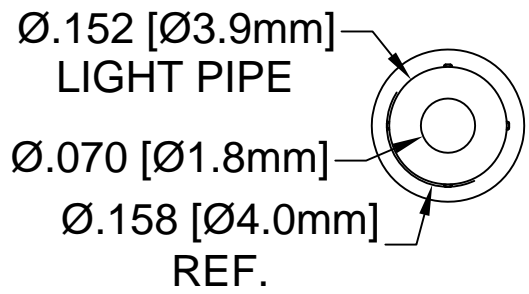


REV.	DESCRIPTION	DATE	APPROVED
A	Engineering Release	07/15/15	J. C.

Part No.	X = Body Length
PLW5-125	0.125 ( 3.2mm )
PLW5-188	0.188 ( 4.8mm )
PLW5-250	0.250 ( 6.4mm )
PLW5-313	0.313 ( 7.9mm )
PLW5-375	0.375 ( 9.5mm )
PLW5-500	0.500 ( 12.7mm )
PLW5-3MM	3mm ( 0.118" )
PLW5-4MM	4mm ( 0.157" )
PLW5-5MM	5mm ( 0.197" )
PLW5-6MM	6mm ( 0.236" )
PLW5-7MM	7mm ( 0.276" )
PLW5-8MM	8mm ( 0.315" )
PLW5-9MM	9mm ( 0.354" )
PLW5-10MM	10mm ( 0.394" )



- 2. MATERIAL: POLYCARBONATE, 94V-0, CLEAR.
- 1. GENERAL SPECIFICATIONS: BIVAR MOLDED COMPONENT SPECIFICATION BV00-E101 and BSMC-1001.

STANDARD TOLERANCE ( UNLESS OTHERWISE SPECIFIED )		 4 THOMAS, IRVINE, CA. 92618 TEL: (949) 951-8808 FAX: (949) 951-3974	
DECIMALS	ANGULAR		
.X ± .1	X° ± 1°	 <b>TITLE:</b> WIDE CAPTURE LIGHT PIPE, 5mm LOW PROFILE ROUND	
.XX ± .01			
.XXX ± .005			
DESIGNED: <b>Brian Oliver</b>	DATE: <b>04/24/15</b>	<b>PART NO:</b> PLW5-XXX	REVISION: A
CHECKED: <b>A. Wright</b>	DATE: <b>04/24/15</b>	<b>CAGE CODE :</b> 32559	<b>SHEET # 1 OF 1</b>
CAD GENERATED DOCUMENT. DO NOT MEASURE DRAWING.			