

# SIEMENS

## Product data sheet

## 3SB3608-2SA11

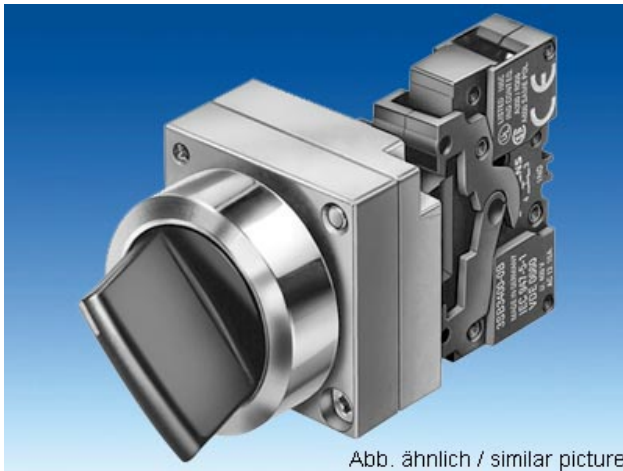


Abb. ähnlich / similar picture

COMPLETE UNIT, ROUND KNOB I-O-II,  
MAIN.CONT.HVY DUTY SWITCHING ANGLE 2X50  
DEGREES "BLACK,  
1NO+1NC, 1NO+1NC" WITH HOLDER, METAL

### Actuator:

Design of the operating mechanism selector switch heavy-duty version

Manner of function / of the activation element

- arresting lock Yes
- tentative No

### Button:

Color / of the button black

### Front ring:

Material / of the front ring metal

Color / of the front ring silver

### Enclosure:

Shape / of the housing front round

### General technical details:

Design of the product selector switch heavy-duty version

Type of voltage

- of the operating voltage AC/DC

Operating voltage / rated value

- minimum 5 V
- maximum 400 V

Number of NC contacts	1
Number of NO contacts	1
Number of change-over switches	0
Number of switching positions	3
<b>Mechanical design:</b>	
Design of the electrical connection	screw-type terminals
Product extension / optional / Fluorescent materials	No
Mounting diameter	22 mm
<b>Ambient conditions:</b>	
Protection class IP	IP67
<b>last change:</b>	10/31/2006

<b>Technical Assistance:</b>	Telephone: +49 (0) 911-895-5900 (8° - 17° CET)
	Fax: +49 (0) 911-895-5907
	E-Mail: <a href="mailto:technical-assistance@siemens.com">technical-assistance@siemens.com</a>
	Internet: <a href="http://www.siemens.de/lowvoltage/technical-assistance">www.siemens.de/lowvoltage/technical-assistance</a>