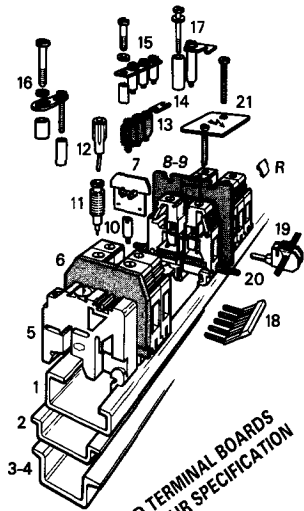


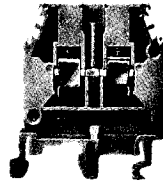
Compression clamp terminal blocks



PREASSEMBLED TERMINAL BOARDS AVAILABLE ON YOUR SPECIFICATION

M 4/6.2

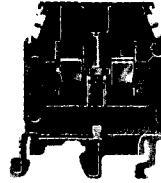
Spacing 6 mm + 0,05 (.238")



M 4/6.1 equipped with a test socket
DIA. 2mm/.079"

M 4/6.3

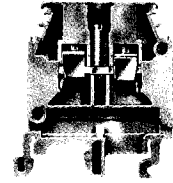
Spacing 6 mm + 0,05 (.238")



M 4/6.1 equipped with a test socket
DIA. 3mm/.12"

M 4/6.4

Spacing 6 mm + 0,05 (.238")



M 4/6.1 equipped with a test socket
DIA. 4mm/.16"

Type	Part number	Type	Part number	Type	Part number
Grey body M 4/6.2	115 217.14	Grey body M 4/6.3	115 268.07	Grey body M 4/6.4	115 192.04

Characteristics

Wire size (see generalities)	Solid wire	DIN-VDE	UL	CSA	NFC-UTE	DIN-VDE	UL	CSA	NFC-UTE	DIN-VDE	UL	CSA	NFC-UTE
		Stranded wire	0-4 mm ²	22-10 AWG		0-4 mm ²	0-4 mm ²	22-10 AWG		0-4 mm ²	0-4 mm ²	22-10 AWG	
Rated voltage	V	~ AC	750 Gr.C		500 Cat.C	750 Gr.C	600		500 Cat.C	750 Gr.C	600		500 Cat.C
		= DC	900 Gr.C		500 Cat.C	900 Gr.C		500 Cat.C	900 Gr.C		500 Cat.C		500 Cat.C
Rated current	A		35	30	30	35	30		30	35	30		30
			4 mm ²	10 AWG		2,5 mm ²	4 mm ²	10 AWG		2,5 mm ²	4 mm ²	10 AWG	

Other characteristics

Wire stripping length	Recommended screwdriver	Recommended torque	Protection	Wire stripping length	Recommended screwdriver	Recommended torque	Protection	Wire stripping length	Recommended screwdriver	Recommended torque	Protection
9,5 mm .37"	4 mm	0,4-0,6 Nm 3,5-5,3 lb.in	IP 20 NEMA 1	9,5 mm .37"	4 mm	0,4-0,6 Nm 3,5-5,3 lb.in	IP 20 NEMA 1	9,5 mm .37"	4 mm	0,4-0,6 Nm 3,5-5,3 lb.in	IP 20 NEMA 1

Approvals (Contact Entelec)

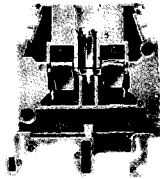
UL	CSA	UL	CSA	UL	CSA
----	-----	----	-----	----	-----

Accessories

Type	Part number	Type	Part number	Type	Part number	
1 Rail 32x15 DIN 1	PR1 Z2	163 050.04	PR1 Z2	163 050.04	PR1 Z2	163 050.04
2 Rail 35x7,5x1 DIN 3	PR30	prepunched 173 220.05	PR30	prepunched 173 220.05	PR30	prepunched 173 220.05
3 Rail 35x15x2,3 DIN 3	PR4	168 500.12	PR4	168 500.12	PR4	168 500.12
4 Rail 35x15x1,5	PR5	prepunched 101 598.26	PR5	prepunched 101 598.26	PR5	prepunched 101 598.26
5 End stop (all rails)	BAM	th. 9,1 mm 103 002.26	BAM	th. 9,1 mm 103 002.26	BAM	th. 9,1 mm 103 002.26
6 End section	FEM6	th. 2,5 mm 118 368.16	FEM6	th. 2,5 mm 118 368.16	FEM6	th. 2,5 mm 118 368.16
7 Circuit separator						
8 Separator end section (block)	SCF6	th. 3 mm 118 707.03	SCF6	th. 3 mm 118 707.03	SCF6	th. 3 mm 118 707.03
9 Separator end section (rail)	SCFM6	th. 3 mm 114 825.05	SCFM6	th. 3 mm 114 825.05	SCFM6	th. 3 mm 114 825.05
10 Test socket						
11 Test device						
12 Test plug	FC	(see access.)	FC	(see access.)	FC	(see access.)
13 Assembled jumper bar						
14 Connector plate						
15 Jumper bar not preassembled						
16 Universal jumper bar						
17 Pivoting jumper bar						
18 Comb type jumper bar	PC6	(see access.)	PC6	(see access.)	PC6	(see access.)
19 IDC jumper	AD2,5	114 205.20	AD2,5	114 205.20	AD2,5	114 205.20
20 Shielding connector	CBM	(see access.)	CBM	(see access.)	CBM	(see access.)
21 Protection label						
R See markers and other accessories	Marking method	Ⓜ	Marking method	Ⓜ	Marking method	Ⓜ

M 4/6.C

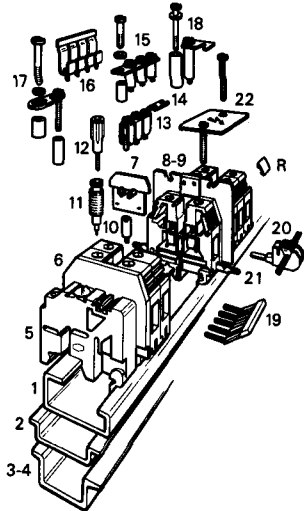
Spacing 6 mm + 0,05 (.238")



M 4/6.1 equipped with a flexible test socket DIA. 2,5 mm/.10" for connector type MLE

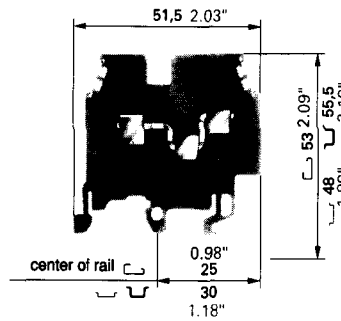
Type	Part number
Grey body M 4/6.C	115 208.04

Single pole, multiclamp terminal blocks



M 4/6.3A

Spacing 6 mm + 0,05 (.238")

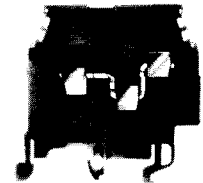


Standard 6 mm block

Type	Part number
Grey body M 4/6.3A	115 468.20

M 4/6.3A.1

Spacing 6 mm + 0,05 (.238")



M 4/6.3A with partition

Type	Part number
Grey body M 4/6.3A.1	115 483.00

DIN-VDE	UL	CSA	NFC-UTE
0-4 mm ²	22-10 AWG		0-4 mm ²
0-4 mm ²			0-4 mm ²
750 Gr.C 900 Gr.C	600		500 Cat.C 500 Cat.C
35 4 mm ²			30 10 AWG
9,5 mm .37"	4 mm	0,4-0,6 Nm 3,5-5,3 lb.in.	IP 20 NEMA 1

Characteristics	
Wire size (see generalities)	Solid wire Stranded wire
Rated voltage V	~ AC = DC
Rated current A	
Rated wire size	
Other characteristics	
For compression clamp connection	

DIN-VDE	UL	CSA	NFC-UTE
0-4 mm ²	22-12 AWG	12 AWG Max	0-4 mm ²
0-4 mm ²			0-4 mm ²
750 Gr.C 900 Gr.C	600	600	500 Cat.C 500 Cat.C
35 4 mm ²			20 12 AWG
9,5 mm .37"	4 mm	0,5-0,8 Nm 4,4-7,1 lb.in.	IP 20 NEMA 1

DIN-VDE	UL	CSA	NFC-UTE
0-4 mm ²	22-12 AWG	12 AWG Max	0-4 mm ²
0-4 mm ²			0-4 mm ²
750 Gr.C 900 Gr.C	600	600	500 Cat.C 500 Cat.C
35 4 mm ²			20 12 AWG
9,5 mm .37"	4 mm	0,5-0,8 Nm 4,4-7,1 lb.in.	IP 20 NEMA 1

Type	Part number
PR1 Z2	163 050.04
PR30 prepunched	173 220.05
PR4	168 500.12
PR5 prepunched	101 598.26
BAM th. 9,1 mm	103 002.26
FEM6 th. 2,5 mm	118 368.18
SCF6 th. 3 mm	118 707.03
SCFM6 th. 3 mm	114 825.05
PC6 (see access.)	
AD2,5 (114 205.20)	
CBM (see access.)	

Approvals (Contact Entrelac)	
Accessories	
1 Rail 32 x 15	DIN 1
2 Rail 35 x 7,5 x 1	DIN 3
3 Rail 35 x 15 x 2,3	DIN 3
4 Rail 35 x 15 x 1,5	
5 End stop (all rails)	
6 End section	grey yellow green orange blue
7 Circuit separator	grey
8 Separator end section (block)	grey blue
9 Separator end section (rail)	
10 Test socket	
11 Test device	
12 Test plug	
13 Assembled jumper bar	
14 Connector plate	
15 Not pre-assembled jumper bar	
16 Alternated jumper bar	
17 Universal jumper bar	
18 Pivoting jumper bar	
19 Comb type jumper bar	
20 IDC jumper	
21 Shield connector	
R See markers and other accessories	Marking method

Type	Part number
PR1 Z2	163 050.04
PR30 prepunched	173 220.05
PR4	168 500.12
PR5 prepunched	101 598.26
BAM th. 9,1 mm	103 002.26
FEM6.3A th. 3 mm	116 576.15
SCM6	113 003.10
AL2 (1) DIA. 2 mm	163 043.21
AL3 (1) DIA. 3 mm	163 261.00
DCJ yellow	173 059.03
FC (see access.)	
BJM6 (1) 2 poles	168 516.25
BJM6 (1) 3 poles	168 517.26
BJM6 (1) 4 poles	168 518.07
BJM6 (1) 5 poles	168 519.00
BJM6 (1) 10 poles	168 973.07
EL6	173 627.21
BJS6 (1) 20 poles (see access.)	
BJA6 (1) (see access.)	
BJDP (1) (see access.)	
BJP6	174 413.14
PC6 (see access.)	
AD2,5	114 205.20

Type	Part number
PR1 Z2	163 050.04
PR30 prepunched	173 220.05
PR4	168 500.12
PR5 prepunched	101 598.26
BAM th. 9,1 mm	103 002.26
FEM6.3A th. 3 mm	116 576.15
SCM6	113 003.10
AL2 DIA. 2 mm	163 043.21
AL3 DIA. 3 mm	163 261.00
DCJ yellow	173 059.03
FC (see access.)	
BJM6 (2) 2 poles	168 516.25
BJM6 (2) 3 poles	168 517.26
BJM6 (2) 4 poles	168 518.07
BJM6 (2) 5 poles	168 519.00
BJM6 (2) 10 poles	168 973.07
EL6	173 627.21
BJS6 (2) 20 poles (see access.)	
BJA6 (2) (see access.)	
BJDP (2) (see access.)	
BJP6	174 413.14
PC6 (see access.)	
AD2,5	114 205.20

(1) and (2)
 (1) A circuit separator SC may be required with the use of these accessories.
 (2) Use of these accessories requires the user to cut out the partition.