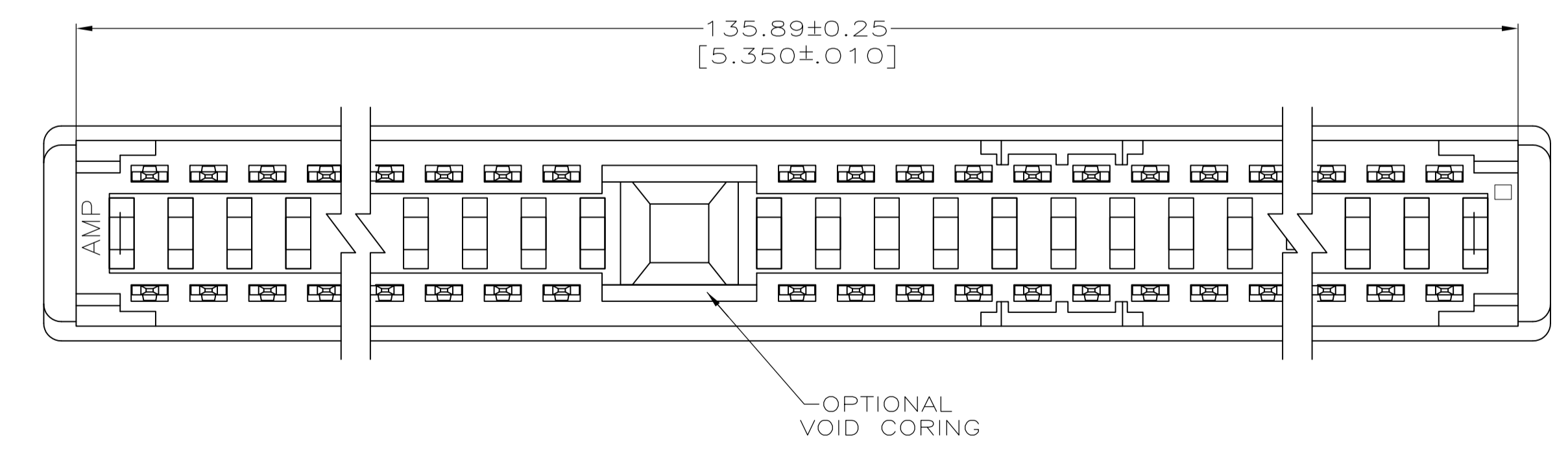
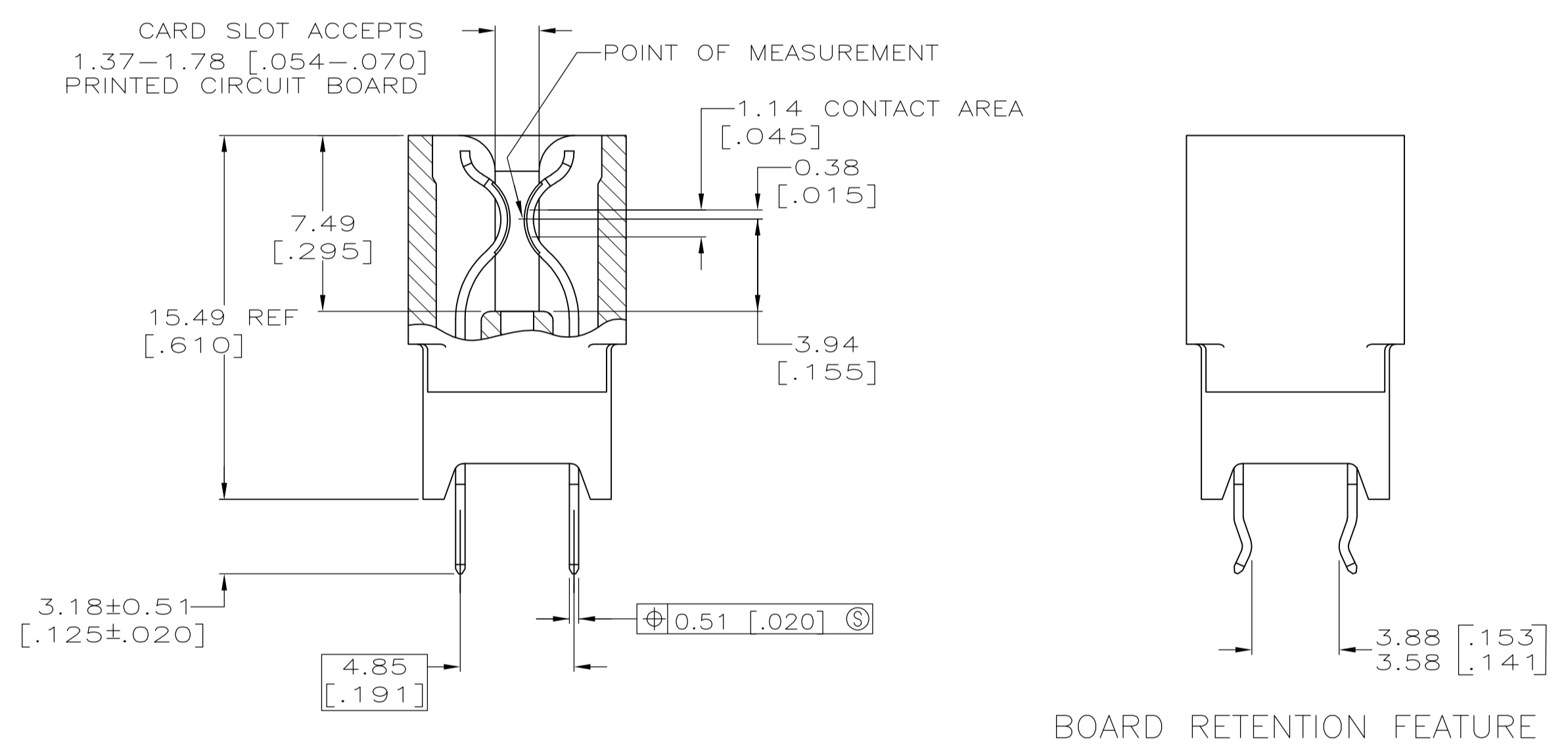
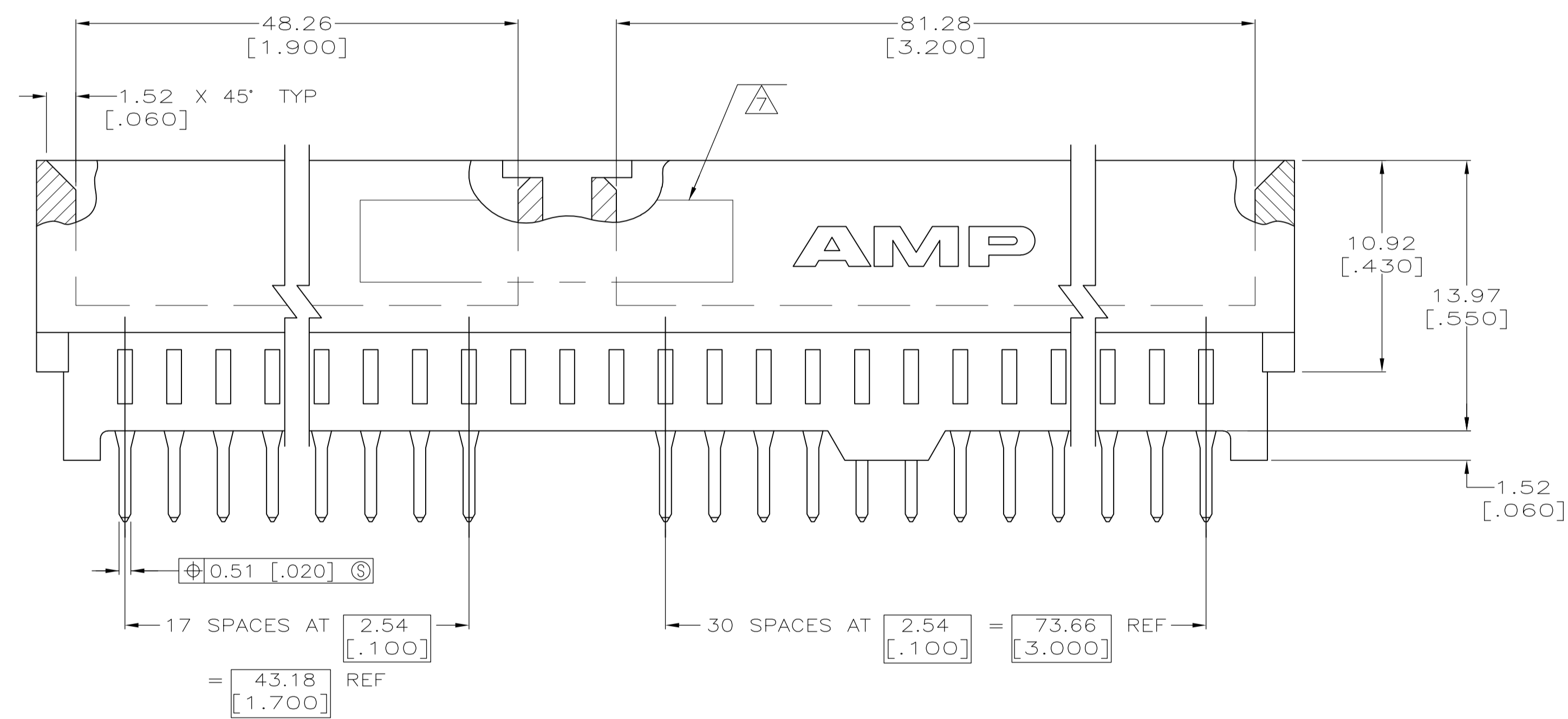
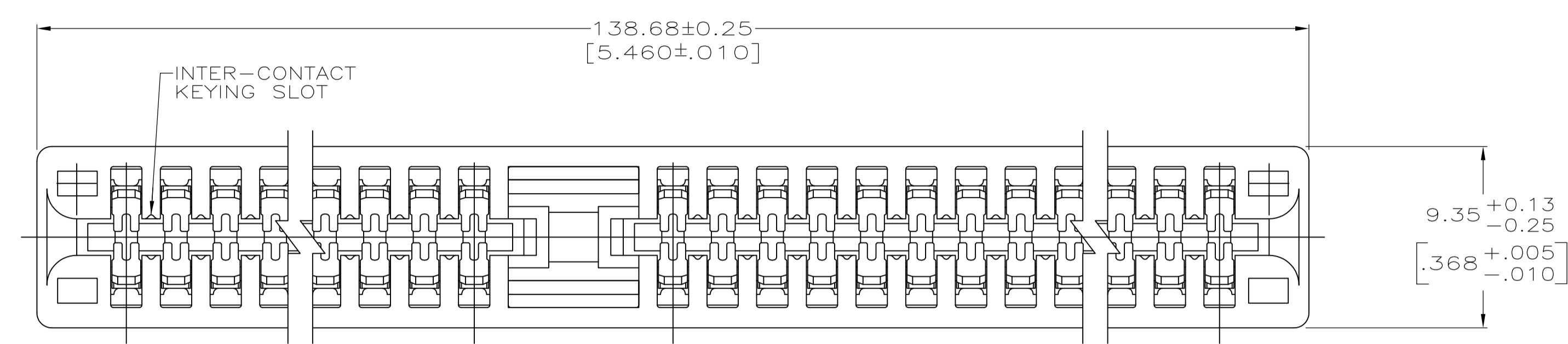


- 1 HOUSING: GLASS FILLED POLYESTER; COLOR: BLACK.
- 2 CONTACT: PHOSPHOR BRONZE.
- 3 NICKEL PLATE: 0.00127 [.000050] MIN - ALL OVER.
- 4 MATTE TIN PLATE: 0.00254 [.000100] MIN-SOLDER POSTS.
- 5 GOLD PLATE: 0.00076 [.000030] MIN - CONTACT AREA.
- 6 NICKEL PLATE PER MIL-G-45204. GOLD PLATE PER QQ-N-290.
- 7 AMP PART NUMBER, DATE CODE AND CSA LOGO ARE MARKED IN APPROXIMATE AREA SHOWN, EITHER SIDE.
- 8. RECOMMENDED PCB FINISHED HOLE DIA: 1.02±0.08 [.040±.003].
- 9. THE RETENTIVE FEATURE OF THIS CONNECTOR IS DESIGNED FOR FULL SEATING IN .062±.008 THICK CIRCUIT BOARDS. FOR APPLICATIONS IN BOARDS OF OTHER THICKNESSES CONTACT AMP INCORPORATED.
- 10 PACKAGED 20 CONNECTORS PER TUBE.
- 11 PACKAGED 72 CONNECTORS PER EPS TRAY.
- 12 GOLD PLATE: 0.00038 [.000015] MIN - CONTACT AREA.
- 13 PACKAGED IN SLIDE PACK.
- 14 PACKAGE 57 CONNECTORS IN TUBES.
- 15 DATUMS AND BASIC DIMENSIONS TO BE DETERMINED BY CUSTOMER.

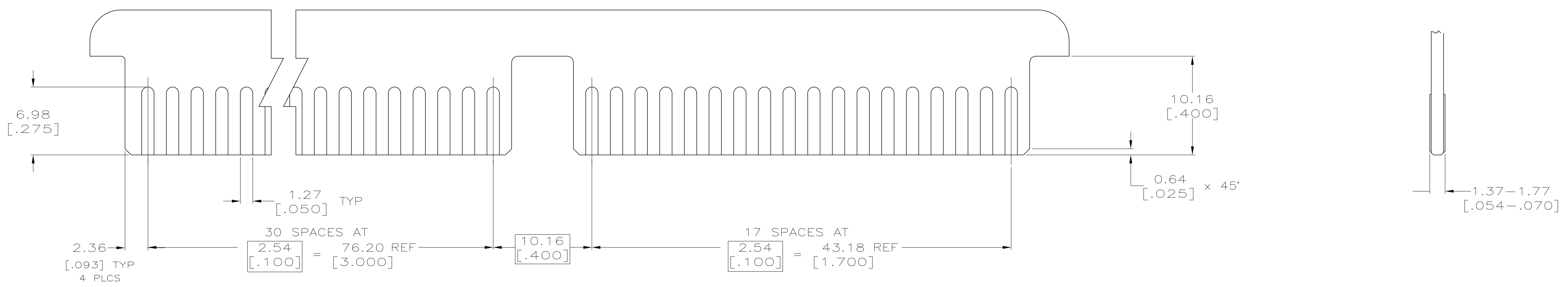


NOTE 5	NOTE 11	5,6,31,32,41,42,93,94	49	5645169-4
NOTE 5	NOTE 11	-	49	5645169-3
NOTE 5	NOTE 11	5,6,31,32,41,42,93,94	49	5645169-2
PLATING	PACKAGE	BOARD RETENTION LOCATION	NO OF POSN	PART NUMBER

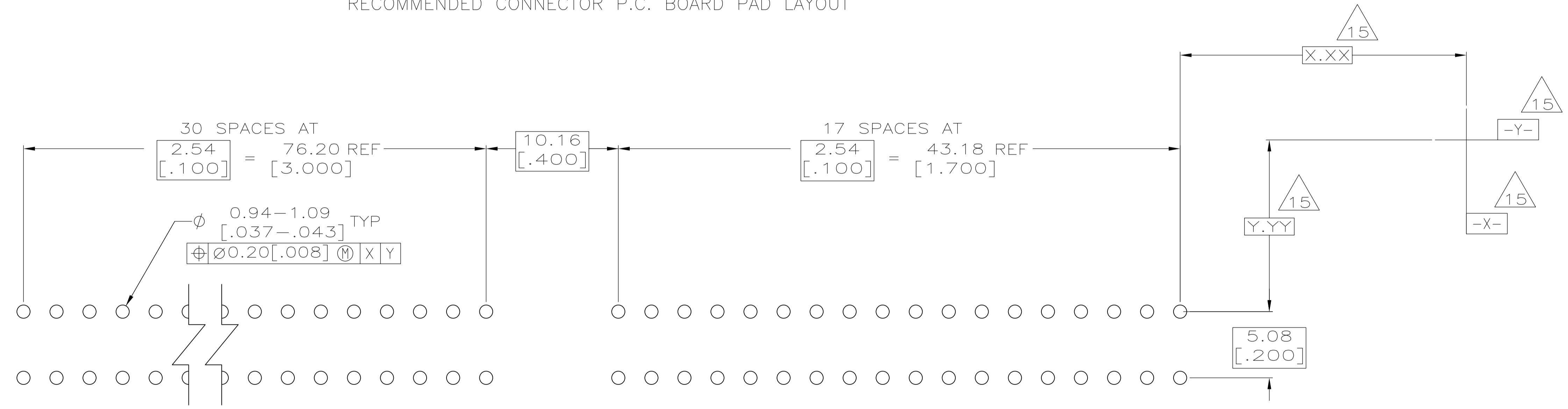
THIS DRAWING IS A CONTROLLED DOCUMENT.

DIMENSIONS: mm	TOLERANCES UNLESS OTHERWISE SPECIFIED:	0 PLC ± -	1 PLC ± -	2 PLC ± 0.13 [.005]	3 PLC ± -	4 PLC ± -	ANGLES ± °
MATERIAL	FINISH	WEIGHT	SCALE	SHEET	REV	CUSTOMER DRAWING	

AL FRANTUM 14 JUN 05
AL FRANTUM 14 JUN 05
NAME: CONNECTOR ASSEMBLY, STANDARD EDGE II, 2.54 [.100]
PRODUCT SPEC: 108-9039
APPLICATION SPEC: 108-9039
SIZE: A1
CAGE CODE: 00779
DRAWING NO: 5645169
RESTRICTED TO: -
SCALE: 5:1
SHEET: 1 OF 2
REV: A1



RECOMMENDED CONNECTOR P.C. BOARD PAD LAYOUT



RECOMMENDED CONNECTOR P.C. BOARD HOLE PATTERN

THIS DRAWING IS A CONTROLLED DOCUMENT.		DIN AL FRANTUM 14 JUN 05		AL FRANTUM 14 JUN 05		AL FRANTUM 14 JUN 05		AL FRANTUM 14 JUN 05	
DIMENSIONS: mm		TOLERANCES UNLESS OTHERWISE SPECIFIED:		PRODUCT SPEC		APPLICATION SPEC		RESTRICTED TO	
0 PLC ± -		1 PLC ± -		108-9039		SIZE		SCALE	
2 PLC ± 0.13 [0.005]		3 PLC ± -		APPLICATION SPEC		CAGE CODE		SHEET	
4 PLC ± -		ANGLES ± -		WEIGHT		DRAWING NO		OF	
MATERIAL SEE SHEET 1		FINISH SEE SHEET 1		CUSTOMER DRAWING		A1 00779		2	
						5645169		2	
						5:1		REV	
								A1	