

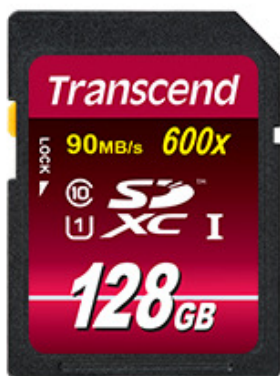
## SD Class 10 UHS-I 600x

### Description

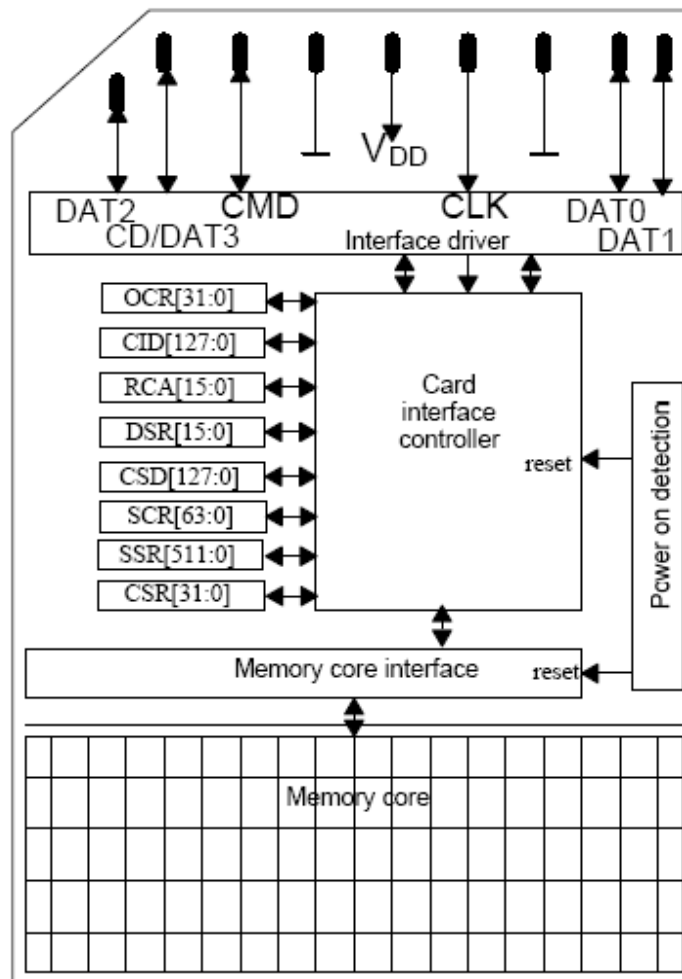
For professionals working with today's cutting-edge photography and video equipment, Transcend's Class 10 SDXC/SDHC UHS-I cards provide an incredible level of performance and vast storage capacity to meet the demands of high-resolution image capture and full HD video recording. Additionally, the top-tier MLC NAND flash chips inside provide consistent long-life durability and endurance.

### Features

- MLC flash-based performance and reliability
- Supports Ultra High Speed Class I specification
- Smooth Full HD video recording performance
- Class 10 compliant - Fully compatible with SD 3.01 standards
- Improved camera response for fast-action consecutive shooting
- Efficient exFAT file system (SDXC cards only)
- Built-in Error Correcting Code (ECC) to detect and correct transfer errors
- Exclusive RecoverX photo recovery software

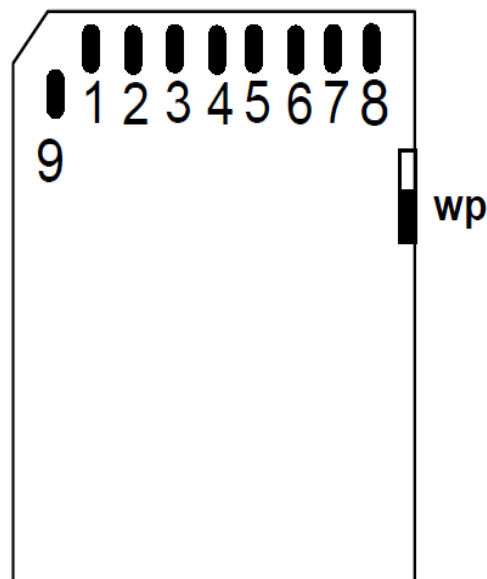


## Architecture



## Pin Definition

Pin No.	SD Mode		SPI Mode	
	Name	Description	Name	Description
1	CD/DAT3	Card Detect/Data Line [Bit3]	CS	Chip Select (neg true)
2	CMD	Command/Response	DI	Data In
3	V <sub>SS1</sub>	Supply voltage ground	V <sub>SS</sub>	Supply voltage ground
4	V <sub>DD</sub>	Supply voltage	V <sub>DD</sub>	Supply voltage
5	CLK	Clock	SCLK	Clock
6	V <sub>SS2</sub>	Supply voltage ground	V <sub>SS2</sub>	Supply voltage ground
7	DAT0	Data Line [Bit0]	DO	Data out
8	DAT1	Data Line [Bit1]	RSV	Reserved
9	DAT2	Data Line [Bit2]	RSV	Reserved



## Specifications

Physical Specification		
<b>Form Factor</b>		SD
<b>Dimensions (mm)</b>	<b>Length</b>	32.00 ± 0.1
	<b>Width</b>	24.00 ± 0.1
	<b>Height</b>	2.1.00 ± 0.15

Performance	
<b>Model P/N</b>	Read Performance
TS8GSDHC10U1	Up to 90MB/S
TS16GSDHC10U1	
TS32GSDHC10U1	
TS64GSDXC10U1	
TS128GSDXC10U1	

Note: Maximum transfer speed recorded

\* 25 °C , 4GB DRAM, Windows<sup>®</sup> 7 with Transcend RDF5, benchmark utility Crystal DiskMark , copied file 1000MB, unit MB/s

Environmental Specifications	
<b>Operating Temperature</b>	- 25°C to 85°C
<b>Storage Temperature</b>	- 40°C to 85°C
<b>Durability</b>	10.000 mating cycles;
<b>Drop test</b>	1.5m free fall
<b>Regulator</b>	CE/FCC/BSMI

## Order information

Capacity	Transcend Part Number
8GB	TS8GSDHC10U1
16GB	TS16GSDHC10U1
32GB	TS32GSDHC10U1
64GB	TS64GSDXC10U1
128GB	TS128GSDXC10U1

The technical information above is based on industry standard data and has been tested to be reliable. However, Transcend makes no warranty, either expressed or implied, as to its accuracy and assumes no liability in connection with the use of this product. Transcend reserves the right to make changes to the specifications at any time without prior notice. Due to the complexity and variety of industrial applications, for special applications and environments, it is strongly suggested to contact Transcend or its authorized resellers beforehand for compatibility confirmation.

**TAIWAN**E-mail: [sales-tw@transcend-info.com](mailto:sales-tw@transcend-info.com)**USA****Los Angeles:**E-mail: [sales-us@transcend-info.com](mailto:sales-us@transcend-info.com)**Maryland:**E-mail: [sales-us@transcend-info.com](mailto:sales-us@transcend-info.com)**Miami:**E-mail: [sales-us@transcend-info.com](mailto:sales-us@transcend-info.com)**Silicon Valley:**E-mail: [sales-us@transcend-info.com](mailto:sales-us@transcend-info.com)**GERMANY**E-mail: [sales-de@transcend-info.com](mailto:sales-de@transcend-info.com)**THE NETHERLANDS**E-mail: [sales-nl@transcend-info.com](mailto:sales-nl@transcend-info.com)**United Kingdom**E-mail: [sales-uk@transcend-info.com](mailto:sales-uk@transcend-info.com)**JAPAN**E-mail: [sales-jp@transcend-info.com](mailto:sales-jp@transcend-info.com)**KOREA**E-mail: [sales-kr@transcend-info.com](mailto:sales-kr@transcend-info.com)**CHINA**E-mail: [sales@transcendchina.com](mailto:sales@transcendchina.com)**HONG KONG**E-mail: [sales-hk@transcend-info.com](mailto:sales-hk@transcend-info.com)

## Revision History

Version	Date	Note
1.0	2016/04/06	The 1 <sup>st</sup> edition
1.1	2016/10/05	Revise pin definition of SPI mode