



Features

- Surface mount, unshielded power inductors
- High current, small size (up to 6.8 amps Irms)
- RoHS compliant
- High inductance (up to 1,000 μ H)
- For use in DC/DC converters

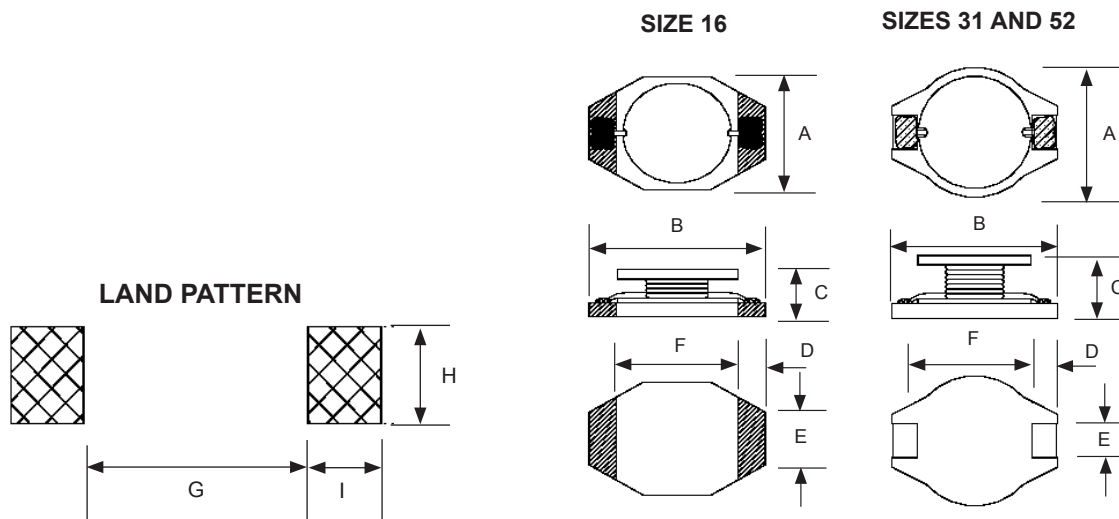
CHARACTERISTICS

Case Size	16	31	52
Inductance Range	1.0 ~ 1000 μ H	1.0 ~ 680 μ H	10 ~ 1000 μ H
Ambient Operating Temperature Range	-40°C ~ +85°C		
Maximum Component Temperature (Ambient + Self-Heating)	+125°C		
Temperature Rise at Irms	40°C max.		
Inductance Change at Isat	-10% typical		
Inductance Tolerance	20% (M)		

DIMENSIONS (mm)

Sizes	A	B	C	D	E	F	G (Ref)	H (Ref)	I (Ref)
16	4.45 Max	6.60 Max	2.92 Max	1.02 \pm 0.2	1.27 \pm 0.2	4.32 \pm 0.3	4.06	3.56	1.4
31	9.30 \pm 0.2	12.80 \pm 0.2	5.00 \pm 0.3	2.40 \pm 0.2	2.50 \pm 0.2	7.60 \pm 0.3	7.3	2.8	3
52	15.0 \pm 0.3	18.40 \pm 0.3	7.00 \pm 0.5	2.40 \pm 0.2	2.20 \pm 0.2	13.30 \pm 0.3	12.7	2.8	3

CONSTRUCTION





Article	STANDARD VALUES - CASE SIZE 16 (4.45 x 6.6 x 2.92mm)				
	Inductance Value (µH)	SRF (Typical) MHz	DC Resistance (Ω)	DC Current Irms (Amps)	DC Current Isat (Amps)
740-9221	1.0 ± 20%	130	0.05	2.9	2.9
740-9230	1.5 ± 20%	115	0.05	2.8	2.6
123-4667	2.2 ± 20%	90	0.07	2.4	2.3
740-9246	4.7 ± 20%	50	0.09	1.5	1.5
740-9243	10 ± 20%	35	0.16	1.1	1.1
124-5570	22 ± 20%	20	0.37	0.80	0.70
740-9268	47 ± 20%	14	0.64	0.50	0.50
740-9265	100 ± 20%	9.0	1.27	0.30	0.31
740-9277	220 ± 20%	5.5	3.11	0.20	0.22
124-5571	330 ± 20%	5.0	3.80	0.16	0.18
740-9280	470 ± 20%	4.0	6.78	0.15	0.16
740-9287	1000 ± 20%	2.0	13.8	0.07	0.10

Maximum +40°C temperature rise at Irms. Typical -10% inductance change at Isat. Test Frequency: 100KHz

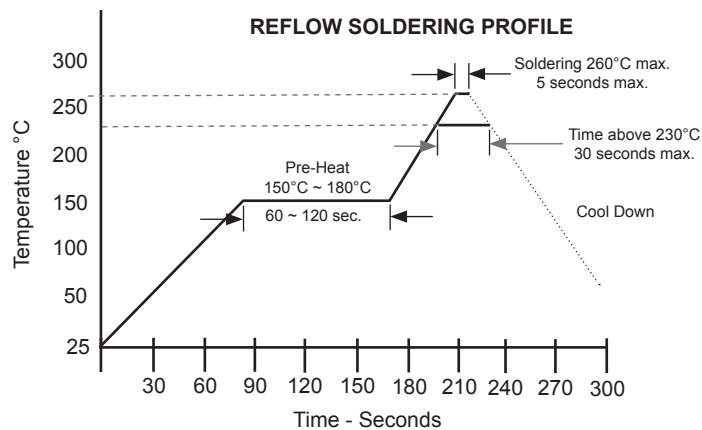
Article	STANDARD VALUES - CASE SIZE 31 (10.0 x 12.7 x 5.0mm)				
	Inductance Value (µH)	SRF (Typical) MHz	DC Resistance (Ω)	DC Current Irms (Amps)	DC Current Isat (Amps)
740-9296	1.0 ± 20%	150	0.009	6.8	9.0
124-5572	1.5 ± 20%	100	0.010	6.4	8.0
124-5573	2.2 ± 20%	85	0.012	6.1	7.0
740-9306	4.7 ± 20%	45	0.018	4.8	5.2
740-9300	6.8 ± 20%	35	0.027	4.4	4.3
740-9319	10 ± 20%	25	0.038	3.9	3.4
740-9312	15 ± 20%	20	0.046	3.1	3.0
740-9316	22 ± 20%	18	0.085	2.7	2.5
740-9325	33 ± 20%	14	0.10	2.1	2.0
124-5574	47 ± 20%	11	0.14	1.8	1.8
740-9322	68 ± 20%	10	0.20	1.5	1.4
740-9331	100 ± 20%	7.0	0.28	1.3	1.2
124-5575	150 ± 20%	6.5	0.40	1.0	0.9
124-5576	220 ± 20%	5.0	0.61	0.8	0.8
740-9347	330 ± 20%	4.0	1.02	0.6	0.6
740-9340	470 ± 20%	3.0	1.27	0.5	0.5
124-5577	680 ± 20%	2.5	2.02	0.4	0.4

Maximum +40°C temperature rise at Irms. Typical -10% inductance change at Isat. Test Frequency: 100KHz

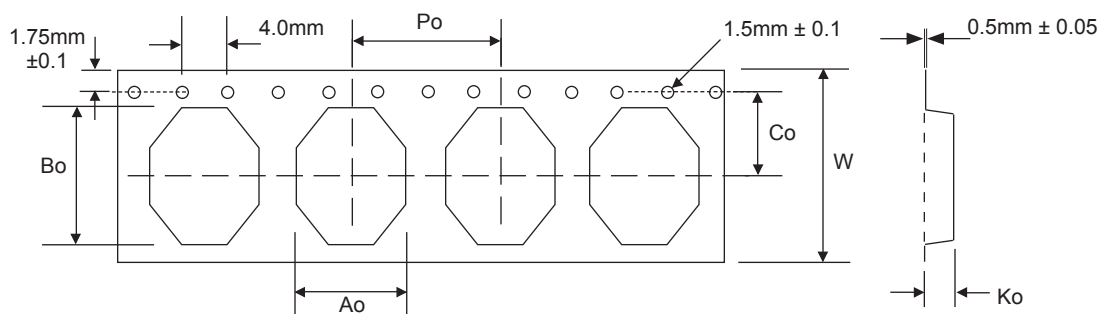


Article	STANDARD VALUES - CASE SIZE 52 (15.0 x 18.4 x 7.0mm)				
	Inductance Value (μH)	SRF (Typical) MHz	DC Resistance (Ω)	DC Current I _{rms} (Amps)	DC Current I _{sat} (Amps)
740-9485	10 ± 20%	21	0.031	4.3	10.0
124-5578	15 ± 20%	14	0.050	3.2	5.8
740-9491	33 ± 20%	11	0.066	3.0	5.5
740-9495	47 ± 20%	9.0	0.086	2.6	4.5
740-9505	68 ± 20%	6.5	0.13	2.3	3.5
740-9508	100 ± 20%	5.7	0.19	1.8	3.0
740-9502	150 ± 20%	4.5	0.25	1.5	2.6
740-9511	220 ± 20%	3.7	0.38	1.2	2.4
740-9514	330 ± 20%	3.0	0.56	1.0	1.9
740-9518	470 ± 20%	2.7	0.85	0.82	1.4
740-9520	1000 ± 20%	2.0	1.80	0.56	1.0

Maximum +40°C temperature rise at I_{rms}. Typical -10% inductance change at I_{sat}. Test Frequency: 100KHz

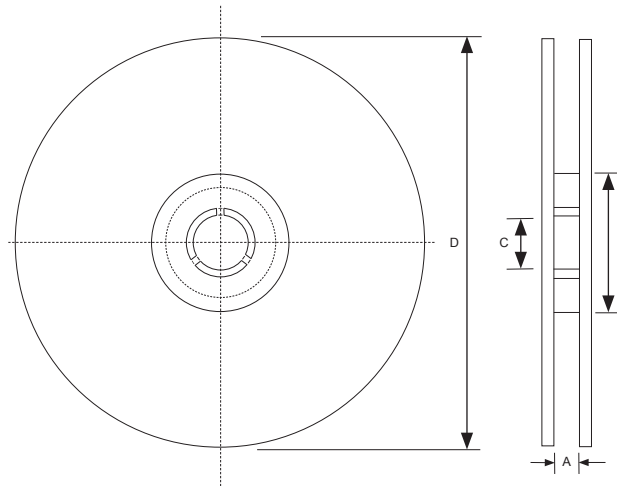


Case Size	TAPING DIMENSIONS (mm)					
	Ao	Bo	Co	Ko	W	Po
16	4.60	6.70	4.25	3.20	12.0	8.0
31	10.00	13.50	11.50	5.60	24.0	12.0
52	15.40	18.70	14.25	7.60	32.0	20.0





Size	REEL QUANTITY PER CASE SIZE		
	16	31	52
Quantity per reel	2500	500	250
Tape Width	16mm	24mm	32mm



Tape Width	REEL DIMENSIONS (mm)			
	A(mm)	B(mm)	C(mm)	D(mm)
16mm	16.5±0.1	100±1	13±0.5	330
24mm	24.5±0.1			
32mm	32.5±0.1			