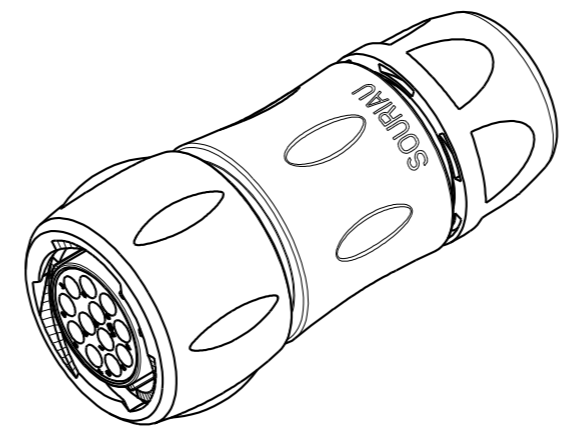
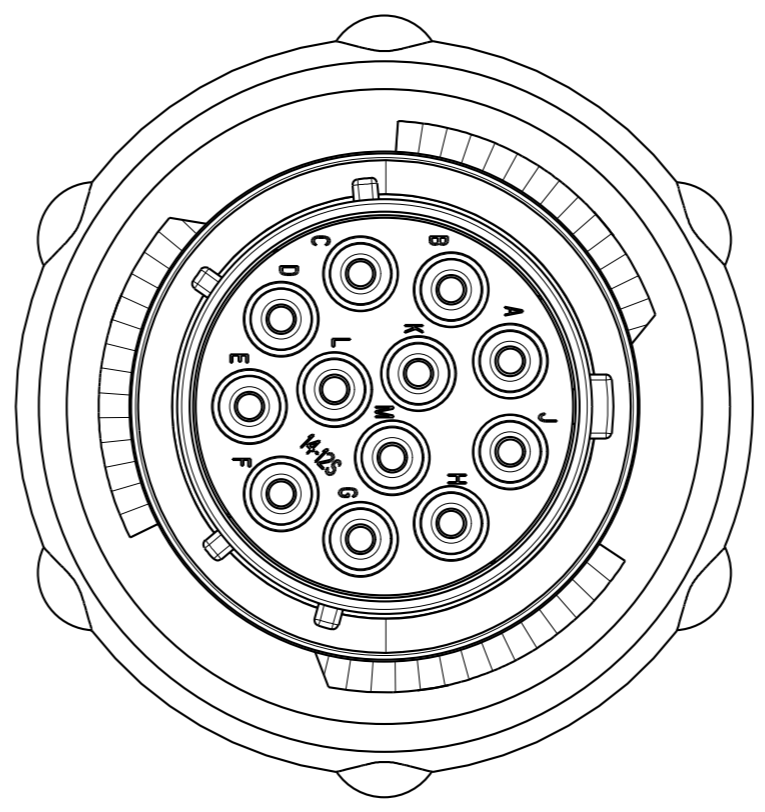


COUPE B-B
ECHELLE 3/1



MATERIAL :

- Coupling Nut: Polyamid UL94 V-0
- Inset: Polyamid UL94 V0
- Backshell body : Polyamid UL94 V-0
- Backshell nut: Polyamid UL94 V-0
- Shell : Polyamid UL94 V-0
- Coupling spring : Stainless steel
- O'seal : Nitril

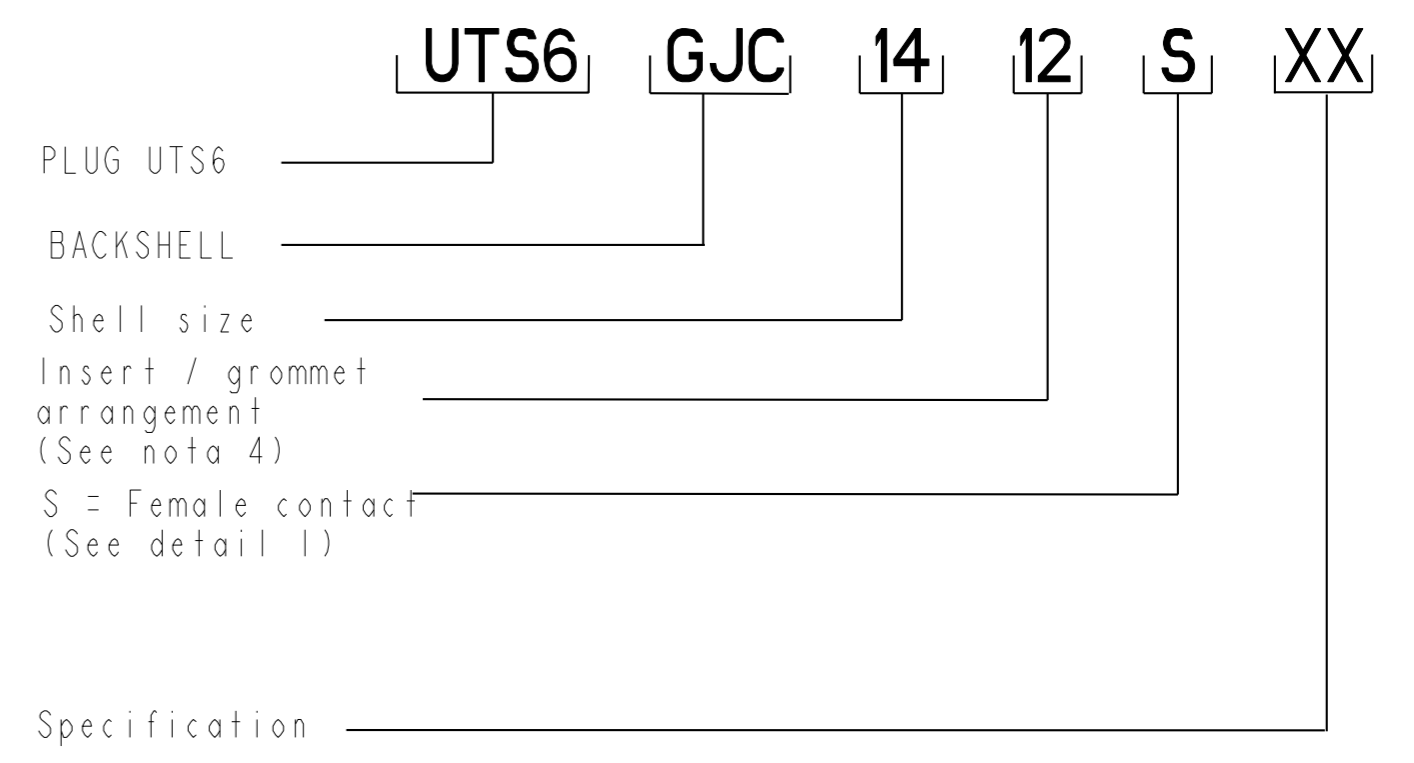
PERFORMANCE CHARACTERISTICS :

- Operating temperature: -40°C up to 105°C
- Insulation resistance: 5000 MΩmin
- Test potential: 2000 Vrms for #16 layout and 1500Vrms for #20 layout
- Corrosion salt spray: 500 hours
- Durability: 250 matings and unmatings
- Sealing in mated conditions:
 - IP68 1 bar during 1 week : immersion under 10 m of water. (IEC 60529)
 - IP69K : exposure to high pressure water of cleaning equipment (DIN 40050)

NOTES :

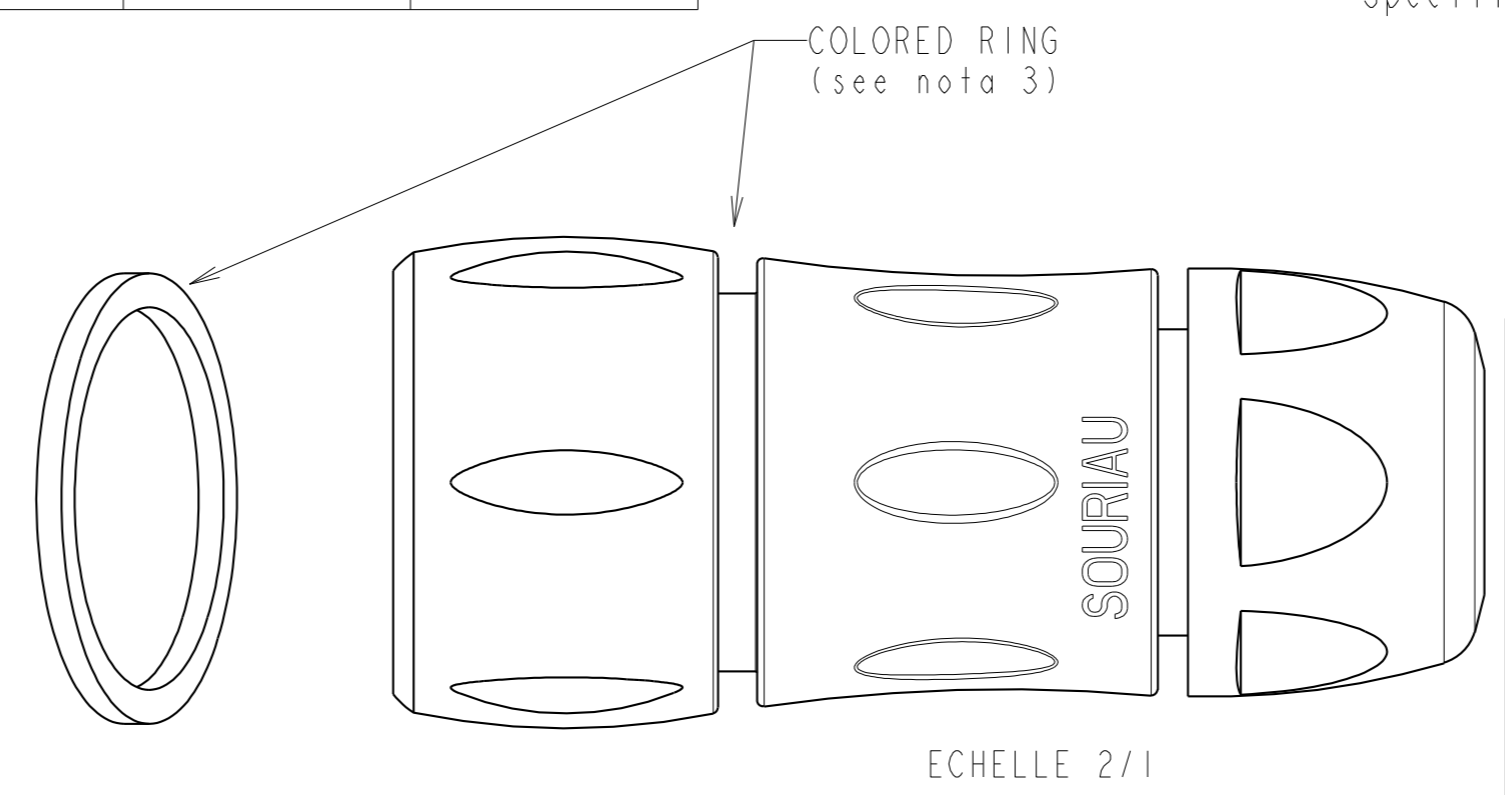
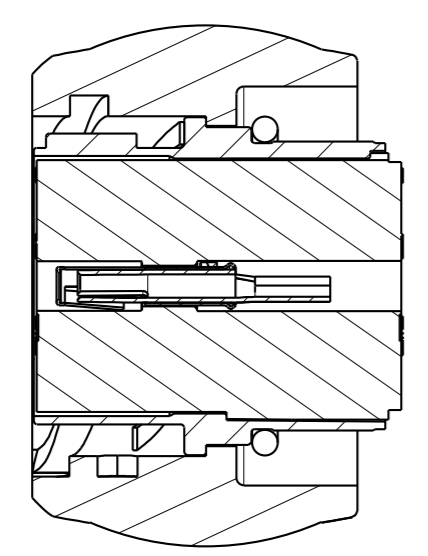
- 1- Plug, backshell and the reducing seal are delivered as a kit. The backshell already includes the standard seal.
- 2- Contact to be ordered separately : refer to TRIM TRIO catalog
- 3- Colored ring to be orderd separately refer to customer drawing C006-UTSI-A
- 4- developed Grommet arrangements : refer to C042-UTSI-A
- 5- for wiring instructions, refer to BT214

SHELL SIZE	LAYOUT	ØA	B MINI	CAPACITY C		HEXAGON D	E MAX
				STANDARD	REDUCING SEAL		
14	SEE NOTE 4	34.60	70	7.00/14.00	5.00/12.00	26.00	36.70
12	SEE NOTE 4	29.70	65.5	5.00 / 12.00	3.00 / 9.00	24.00	32.70
10	SEE NOTE 4	26.20	62	2.50 / 8.00	1.50 / 5.00	18.50	29



FEMALE CONNECTOR

(detail 1)



CUSTOMER DRAWING

c	05/02/08	--	Add shell size 12 and 14	--
ISS	DATE	Latest modification - by: RAGAINÉ M.		MOD N°
Designed by:		RAGAINÉ M. Date: 07/06/07		CUSTOMER DRAWING
TITLE		CABLE PLUG + GROMMET BACKSHELL UTS CONNECTOR		
Scale	2/1	General linear Tolerances: ±0.1	NPRDS / PROJECT UTSI	
		WWW.SOURIAU.COM		This document is the property of SOURIAU. It must not be reproduced or communicated without permission.
FORMAT	A2	SOURIAU DRG N° CO27-UTSI-A		SHEET 1/1

NOT EXPORT CONTROLLED