



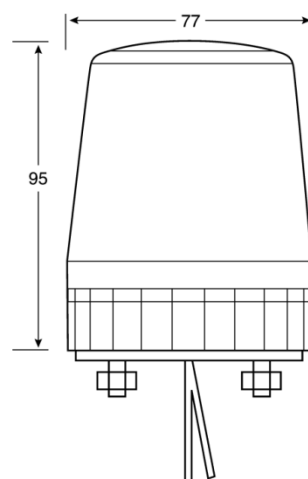
ENGLISH

Datasheet

Stock No: 235-641

RS Pro Xenon Beacon, Red, Flashing, Surface Mount, 230 V ac

Dimensions(mm):



Product Details

Miniature Xenon Beacons

These xenon beacons have a low or standard profile and are available as a 1W, 2W or 5W version. The miniature beacons are ideal for a broad range of vehicular and industrial applications, particularly where protection rating or limited space is an issue. The beacons are sealed units offering IP67 protection, and are supplied fitted with either an amber or red lens.

Low profile unit is only 45mm high

Multiple voltages: 10-100Vdc (20-72Vac) version or separate 110Vac or 230Vac versions

Low current consumption

IP67 rated

-30 to +50°C operating temperature

Two point mounting



ENGLISH

Note

These xenon beacons are sealed units.

Approvals

EMC - meets the requirements for on and off road applications covered by directives 95/54 and 89/336.

Supplied with

Lens and bulb.

Specifications:

Supply Voltage	230 V ac
Light Effect	Flashing
Lens Colour	Red
Mounting Style	Surface Mount
Bulb Type	Xenon
Current Type	AC
Base Diameter	77mm
Housing Colour	Black
Lamp Included	Yes
Series	V10998
Height	95mm
Minimum Temperature	-30°C
Maximum Temperature	+50°C