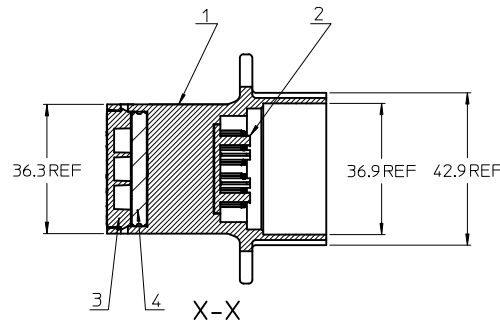
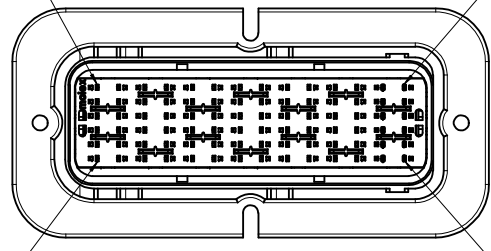


TERMINAL POSITION G12

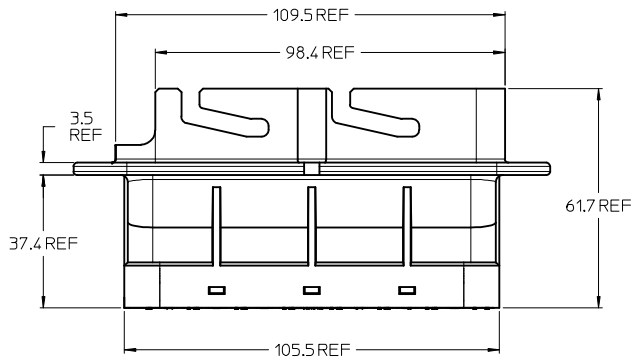
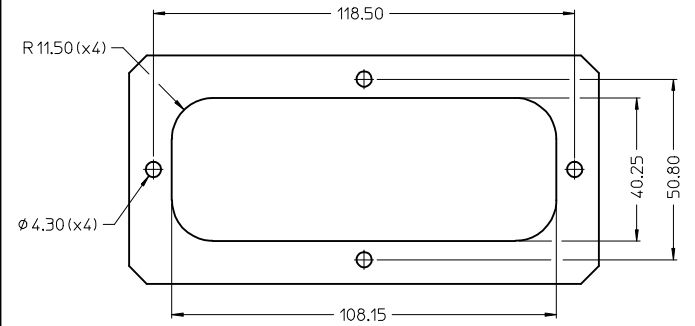
TERMINAL POSITION A6

TERMINAL POSITION G7

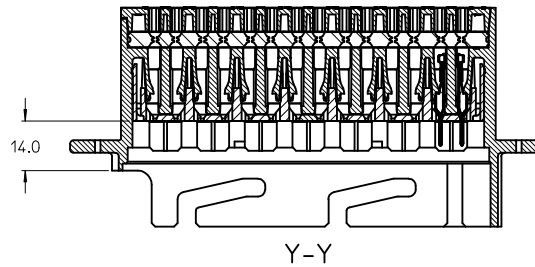
TERMINAL POSITION A1



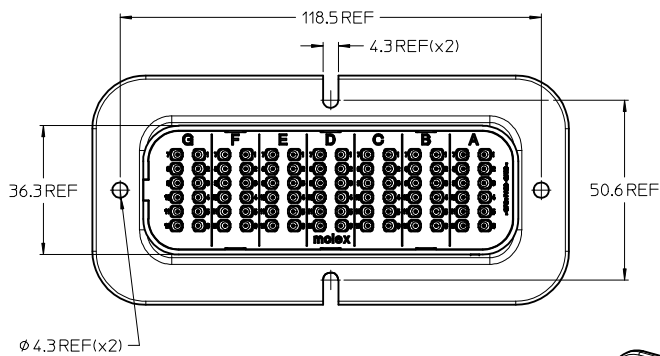
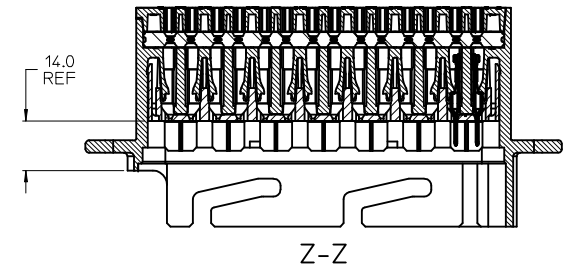
RECOMMENDED PANEL CUTOUT DIMENSIONS



TPA IN CLOSED (AS SHIPPED) POSITION

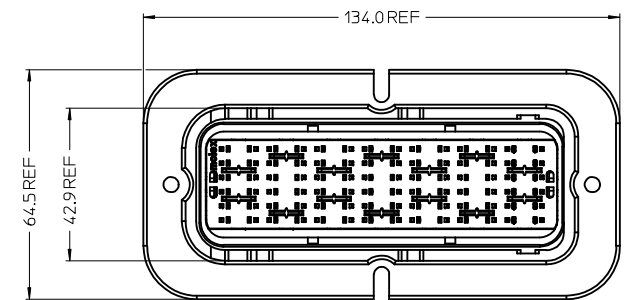


TPA IN PRELOAD POSITION

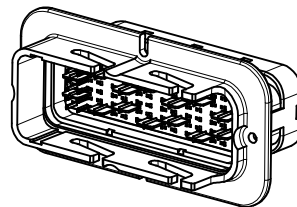


NOTES:

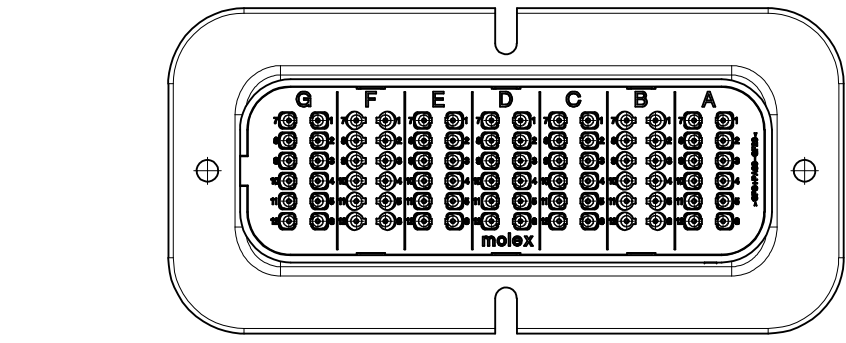
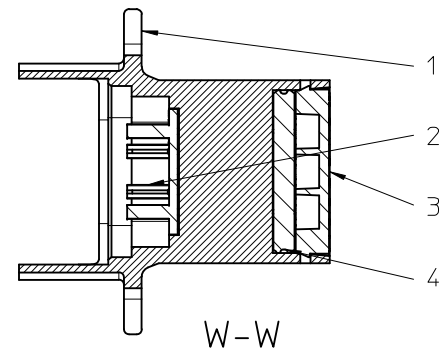
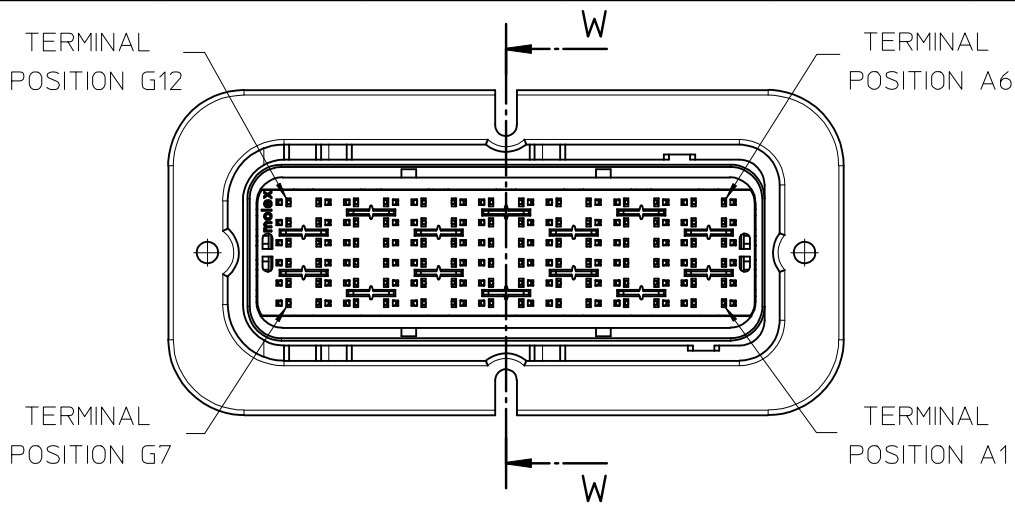
- MATERIALS:
HOUSINGS: SPS/NYLON BLEND, GLASS FILLED, UL 94 HB
SEAL: SILICONE RUBBER
- MX150 BLADE TERMINALS PER SD-33000-001 MAY BE USED WITH THIS ASSEMBLY IN ALL CAVITIES CRIMPED WITH CABLE INSULATION OUTER DIAMETER IN THE RANGE 1.5mm TO 2.7mm
- PRODUCT SPECIFICATION: PS-85070-001
- PACKAGING SPECIFICATION: PK-85071-001
- MATES WITH: SRC2 84 PIN RECEPTACLE HOUSING ASSEMBLY PART NUMBER 932870001 PER SD-93287-001
- APPLICATION SPECIFICATION: AS-85070-001
- FLANGE GASKET OPTIONS: REFER TO SD-85071-016



No.	DESCRIPTION	QTY	COLOUR
4	MALE BACK SEAL	1	RUST RED
3	MALE REAR COVER	1	BLACK
2	MALE FRONT COVER	1	GREEN
1	MALE HOUSING	1	BLACK
BILL OF MATERIAL			



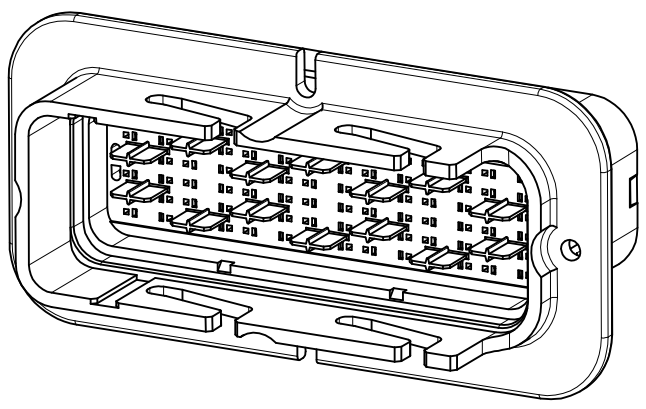
REV	DESCRIPTION	QUALITY SYMBOLS	GENERAL TOLERANCES (UNLESS SPECIFIED)		DIMENSION STYLE		SCALE	DESIGN UNITS	THIRD ANGLE PROJECTION
			mm	INCH	MM ONLY	TITLE			
			4 PLACES ±	±	DRAWN BY	DATE	1:1	METRIC	SRC2 MALE 84 PIN BLADE HOUSING ASSEMBLY
			3 PLACES ±	±	JOCANNOR	2010/07/23			
			2 PLACES ±	±0.20	CHECKED BY	DATE			
			1 PLACE ±	±0.5	JDWALLACE	2010/08/26			
			ANGULAR ±		APPROVED BY	DATE			
					EFOLAN	2011/02/11			
			DRAFT WHERE APPLICABLE MUST REMAIN WITHIN DIMENSIONS		MATERIAL NO.	DOCUMENT NO.			
					932880001	SD-93288-001			
					SIZE	THIS DRAWING CONTAINS INFORMATION THAT IS PROPRIETARY TO MOLEX INCORPORATED AND SHOULD NOT BE USED WITHOUT WRITTEN PERMISSION			
					A2	1 OF 2			



No.	DESCRIPTION	QTY	COLOUR
4	MALE BACK SEAL	1	RUST RED
3	MALE REAR COVER	1	BLACK
2	MALE FRONT COVER	1	GREEN
1	MALE HOUSING	1	BLACK
BILL OF MATERIAL			

NOTES:

1. REFERENCE SHEET ONE FOR UNSPECIFIED NOTES AND DIMENSIONS
2. MX150 BLADE TERMINALS PER SD-33000-001 MAY BE USED WITH THIS ASSEMBLY IN ALL CAVITIES CRIMPED WITH CABLE INSULATION OUTER DIAMETER IN THE RANGE 1.5mm TO 2.7mm
3. MX150L BLADE TERMINALS PER SD-93642-001 MAY BE USED WITH THIS ASSEMBLY IN CAVITIES B AND F CRIMPED WITH 2.5mm² (13AWG) CABLE INSULATION OUTER DIAMETER IN THE RANGE 2.7mm TO 3.0mm
4. MATES WITH: SRC2 84 PIN 2.5 RECEPTACLE HOUSING ASSEMBLY PART NUMBER 932878425 PER SD-93287-001



SEE SHEET ONE	EC NO: IPG2015-0070	2013/12/18	2013/12/18	DESCRIPTION	QUALITY SYMBOLS ▽=0 ◻=0	GENERAL TOLERANCES (UNLESS SPECIFIED)		DIMENSION STYLE MM ONLY		SCALE 1:1	DESIGN UNITS METRIC	THIRD ANGLE PROJECTION	
	DRWN: JWALLACE	2014/07/18	2014/07/18			mm	INCH	DRAWN BY JOCONNOR	DATE 2010/07/23	TITLE SRC2 MALE 84 PIN BLADE HOUSING ASSEMBLY			
	CHKD: SMCREEVEY	2014/07/18	2014/07/18			4 PLACES ± --- ± ---	3 PLACES ± --- ± ---	CHECKED BY JDWALLACE	DATE 2010/08/26				
	APPR: EDUGGAN	2014/07/21	2014/07/21			2 PLACES ± 0.20 ± ---	1 PLACE ± 0.5 ± ---	APPROVED BY EFOLAN	DATE 2011/02/11				
D	REV	ANGULAR ± --- °		DRAFT WHERE APPLICABLE MUST REMAIN WITHIN DIMENSIONS		MATERIAL NO. 932888425		DOCUMENT NO. SD-93288-001		SHEET NO. 2 OF 2			