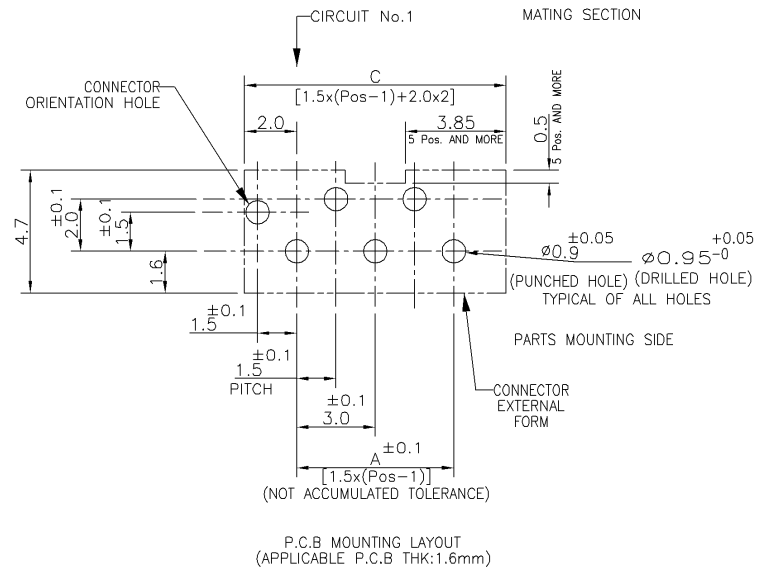
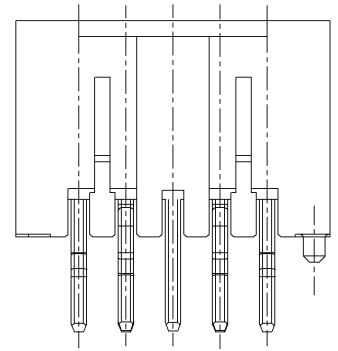
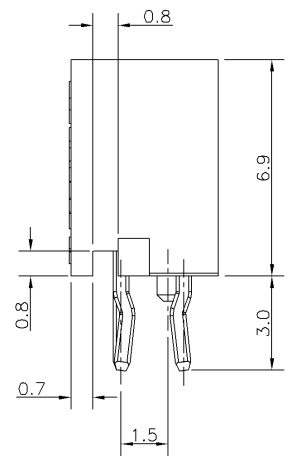
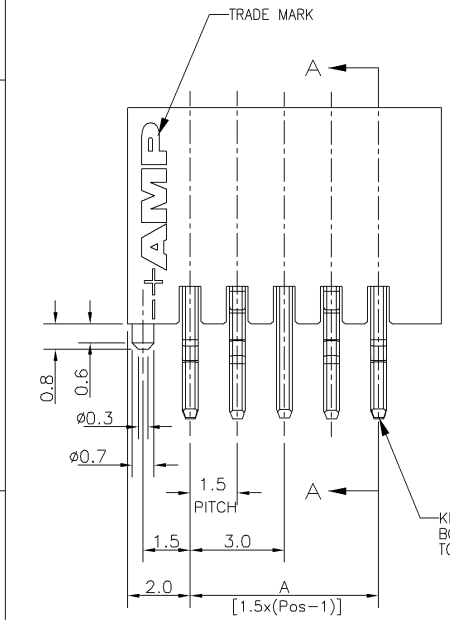
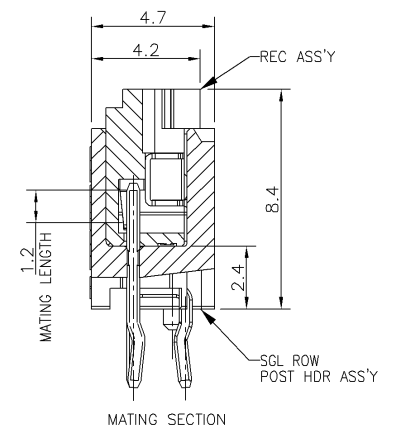
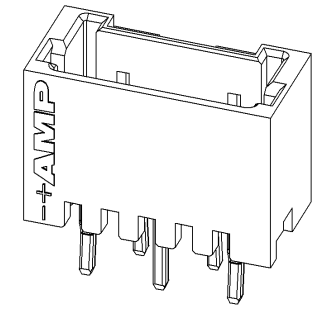
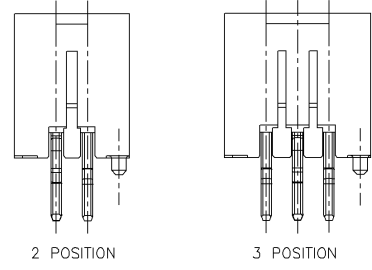
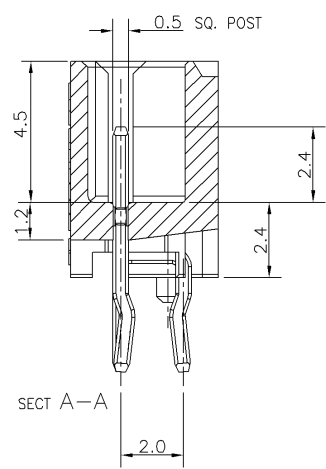
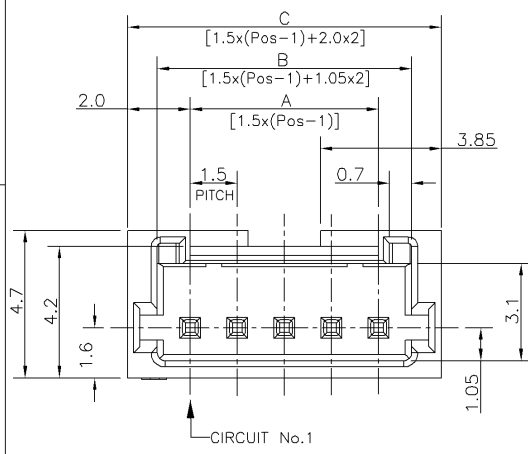


THIS DRAWING IS UNPUBLISHED. RELEASED FOR PUBLICATION
 © COPYRIGHT BY TYCO ELECTRONICS CORPORATION. ALL RIGHTS RESERVED.

| LOC | DIST | REVISIONS | | | | | |
|-----|------|-----------|-----|-----------------------|---------|-----|------|
| ES | 00 | P | LTR | DESCRIPTION | DATE | DWN | APVD |
| | | A | | REVISED ECR-06-003150 | 08FEB06 | C.Z | S.Y |



NOTES:
 1. MATERIAL:
 HOUSING: NYLON(G.F.) UL94V-0, COLOR: GRAY, BLUE
 POST: PRE-TIN 0.5mm SQ. BRASS WIRE

TOLERANCES UNLESS OTHERWISE SPECIFIED:

| | | |
|--------------|---|-------|
| 10 > * | : | ±0.2 |
| 30 > * > 10 | : | ±0.25 |
| 100 > * > 30 | : | ±0.3 |
| ANGLE | : | ±3° |

THIS DRAWING IS A CONTROLLED DOCUMENT.


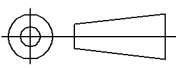
| | | | |
|------------------|-------------|---------|---|
| DWN | S.YAO | 31JAN03 | Tyco Electronics Corporation SHANGHAI, CHINA |
| CHK | S.YAO | 31JAN03 | |
| APVD | T. SASAKI | 31JAN03 | |
| PRODUCT SPEC | 108 - 60018 | | |
| APPLICATION SPEC | 114 - 5223 | | NAME AMP Mini CT Connector 1.5mm Pitch Single Row Post HDR Ass'y (V) DIP Staggered Type with Boss with Kink |
| WEIGHT | SEE TABLE | | SIZE A3 CAGE CODE 00779 DRAWING NO C=292207 |
| CUSTOMER DRAWING | | | RESTRICTED TO - |

SCALE - SHEET 1 OF 2 REV A

| | | | | | | | |
|-----|------|-----------|-----|-------------|------|-----|------|
| LOC | DIST | REVISIONS | | | | | |
| ES | 00 | P | LTR | DESCRIPTION | DATE | DWN | APVD |
| | | - | | SEE SHEET 1 | - | - | - |

| | | | | | | |
|------------|------------|------|------|------|------------|------------|
| 0.96 | 32.5 | 30.6 | 28.5 | 20 | 7-292207-0 | 2-292207-0 |
| 0.91 | 31.0 | 29.1 | 27.0 | 19 | 6-292207-9 | 1-292207-9 |
| 0.87 | 29.5 | 27.6 | 25.5 | 18 | 6-292207-8 | 1-292207-8 |
| 0.82 | 28.0 | 26.1 | 24.0 | 17 | 6-292207-7 | 1-292207-7 |
| 0.78 | 26.5 | 24.6 | 22.5 | 16 | 6-292207-6 | 1-292207-6 |
| 0.73 | 25.0 | 23.1 | 21.0 | 15 | 6-292207-5 | 1-292207-5 |
| 0.69 | 23.5 | 21.6 | 19.5 | 14 | 6-292207-4 | 1-292207-4 |
| 0.64 | 22.0 | 20.1 | 18.0 | 13 | 6-292207-3 | 1-292207-3 |
| 0.60 | 20.5 | 18.6 | 16.5 | 12 | 6-292207-2 | 1-292207-2 |
| 0.55 | 19.0 | 17.1 | 15.0 | 11 | 6-292207-1 | 1-292207-1 |
| 0.51 | 17.5 | 15.6 | 13.5 | 10 | 6-292207-0 | 1-292207-0 |
| 0.46 | 16.0 | 14.1 | 12.0 | 9 | 5-292207-9 | 292207-9 |
| 0.42 | 14.5 | 12.6 | 10.5 | 8 | 5-292207-8 | 292207-8 |
| 0.37 | 13.0 | 11.1 | 9.0 | 7 | 5-292207-7 | 292207-7 |
| 0.33 | 11.5 | 9.6 | 7.5 | 6 | 5-292207-6 | 292207-6 |
| 0.28 | 10.0 | 8.1 | 6.0 | 5 | 5-292207-5 | 292207-5 |
| 0.24 | 8.5 | 6.6 | 4.5 | 4 | 5-292207-4 | 292207-4 |
| 0.19 | 7.0 | 5.1 | 3.0 | 3 | 5-292207-3 | 292207-3 |
| 0.16 | 5.5 | 3.6 | 1.5 | 2 | 5-292207-2 | 292207-2 |
| WEIGHT (g) | C | B | A | Pos. | BLUE | GRAY |
| | DIMENSIONS | | | | P/N | |

THIS DRAWING IS UNPUBLISHED. ALL RIGHTS RESERVED. BY TYCO ELECTRONICS CORPORATION. © COPYRIGHT -

| | | | |
|---|------------------|---|---------------|
| DIMENSIONS: MM | DWN | MATERIAL | FINISH |
| TOLERANCES UNLESS OTHERWISE SPECIFIED: | CHK |  Tyco Electronics Corporation SHANGHAI, CHINA | |
| 0 PLC ± - | APVD | | |
| 1 PLC ± SEE SHEET | PRODUCT SPEC | NAME | |
| 2 PLC ± 1 OF 2 | APPLICATION SPEC | AMP Mini CT Connector 1.5mm Pitch | |
| 3 PLC ± - | WEIGHT | SIZE | CAGE CODE |
| 4 PLC ± - | | A4 | 00779 |
| ANGLES ± - | | DRAWING NO | RESTRICTED TO |
|  | | ©= 292207 | - |
| CUSTOMER DRAWING | | SCALE | SHEET |
| | | NON | 2 OF 2 |
| | | | REV A |