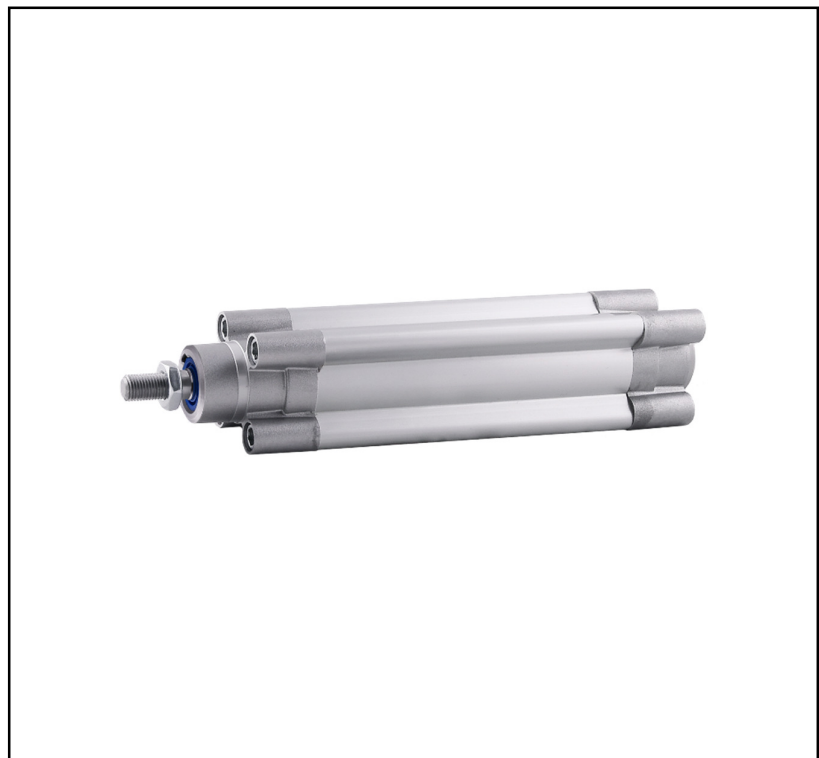


## Features

- Light Weight
- Low Friction
- Clean Design
- Adjustable Cushion
- Long Lasting Quality
- Aluminium Piston
- ISO 15552 / 6431

## RS PRO Pneumatic Piston Rod Cylinder

RS Stock No: 0727190



RS PRO is the own brand of RS. The RS PRO Seal of Approval is your assurance of professional quality, a guarantee that every part is rigorously tested, inspected, and audited against demanding standards. Making RS PRO the Smart Choice for our customers.

## Main advantages

- International Standards Conformity
- PU seal low friction and long lasting
- Wide range
- Wide selection of materials

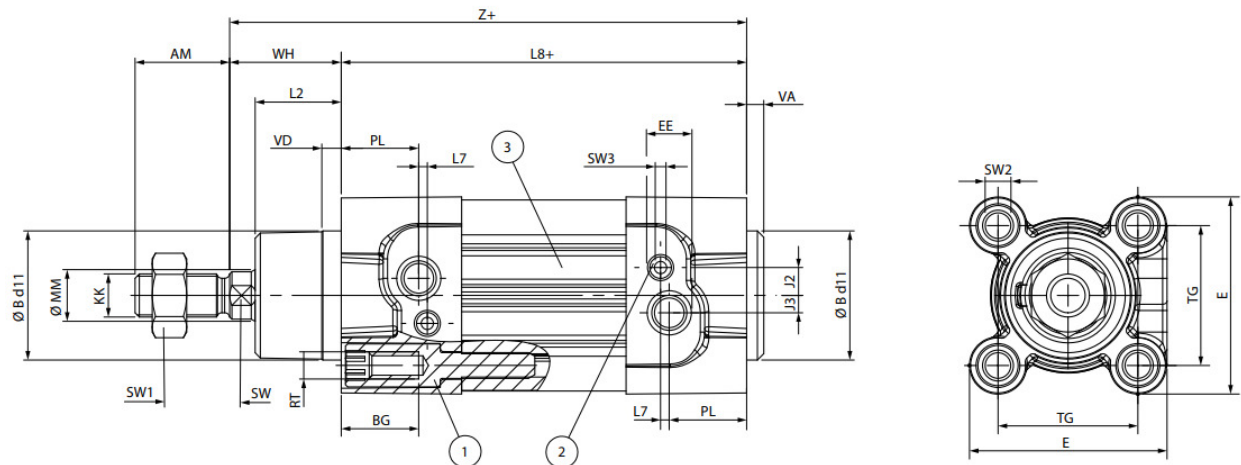
## Applications

- Pneumatic Automation, Robotics, Handling
- Automotive Process
- Textile, Packaging, Heavy Duty
- Food Process

## Fluid Compatibility:

- Filtered and lubricated compressed air as well as non-lubricated air.

## Specifications & Drawings



## Specifications

Manufacturing Series	RS PRO L Series
----------------------	-----------------

Action	Double acting cushioned magnetic
Bore Ø (mm)	32
Stroke (mm)	25
Length (Z+AM) (mm)	142
Piston Rod Thread Gender	Male
Maximum Operating Pressure	10 Bar
Absolute Maximum Pressure	10 Bar
Working Pressure Range	1-10 Bar
Working Temperature Range	-20 °C to +80 °C
Cushioning Type	Magnetic
ØB d11 (mm)	30
VD (mm)	10
VA (mm)	4
L2 (mm)	20
WH (mm)	26
Ø MM (mm)	12
SW (mm)	10
KK (mm)	M10X 1.25
AM (mm)	22
SW1 (mm)	17
Z (mm)	120
L8 (mm)	94
BG (mm)	18
RT	M6
SW2 (mm)	6
E (mm)	46
TG (mm)	32.5
EE	G 1/8
PL (mm)	18
J3 (mm)	4
J2 (mm)	6.5
L7 (mm)	2
SW3 (mm)	2.5



**CARATTERISTICHE TECNICHE**  
 TECHNICAL CHARACTERISTICS  
 TECHNISCHE ANGABEN  
 CARACTÉRISTIQUES TECHNIQUES  
 CARACTERÍSTICAS TÉCNICAS  
 CARACTERÍSTICAS TÉCNICAS







### Fluidi compatibili

Aria compressa filtrata lubrificata e non lubrificata.

#### Fluids

Filtered and lubricated compressed air as well as non lubricated air.

#### Geeignete Medien

Gefilterte geölte und nicht geölte Druckluft.

#### Fluides compatibles

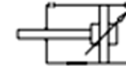
Air comprimé filtré, lubrifié ou non lubrifié.

#### Fluidos compatibles

Aire comprimido filtrado lubricado y no lubricado.

#### Fluidos compatíveis

Ar comprimido filtrado e lubrificado ou não lubrificado.



### Alesaggi

#### Bores

Durchmesser

Diamètres

Diámetros

Diâmetros

32 - 40 - 50 - 63 - 80 - 100 - 125 mm



### Funzionamento

Semplice effetto magnetico o non magnetico. Doppio effetto ammortizzato magnetico o non magnetico, stelo singolo o passante. Tandem.

#### Functioning

Single acting magnetic or non-magnetic. Double cushioned acting single or double end rod, magnetic or non-magnetic. Tandem.

#### Funktion

Einfachwirkend magnetisch oder nicht magnetisch. Doppelwirkend einseitig oder durchgehende Kolbenstange, magnetisch oder nicht magnetisch, gedämpft. Tandemzylinder.

#### Exécutions

Simple effet Magnétique ou non-Magnétique. Double effet Magnétique ou non-Magnétique, tige de piston simple ou traversante. Amortisseur Tandem.

#### Funcionamiento

Simple efecto magnético o no magnético. Doble efecto amortiguado magnético o no magnético vástago simple o pasante. Tandem.

#### Funcionamento

Simple ação magnética ou não-magnética. Dupla ação com amortecimento, magnético ou não-magnético, haste simples ou passante Tandem.



### Temperature NBR

Temperatures NBR

Temperatur NBR

Températures NBR

Temperaturas NBR

Temperaturas NBR

0 °C (-20 °C con aria secca)

(-20 °C with dry air)

(-20 °C mit trockener Luft)

(-20 °C avec air sec)

(-20 °C con aire seco)

(-20 °C com ar seco)

+ 80 °C



### Corse Standard

Standard Strokes

Standardhub

Courses standards

Carreras Standard

Cursos Padrão

from 25 to 1000 mm

Corse a richiesta: fino a 2700 mm

Strokes on Demand: Up to 2700 mm

Auf Anfrage: Bis 2700 mm

Course sur demande: Jusqu'à 2700 mm

Carreras bajo Demanda: Hasta 2700 mm

Cursos sob encomenda: Até 2700 mm



### Pressioni

Pressures

Druckbereich

Pressions

Pressões

Pressões

1 bar (0.1 MPa)

10 bar (1 MPa)

Pressione di spunto: 0,3 bar (0.03 MPa)

Starting pressure: 0,3 bar (0.03 MPa)

Schaumdruck: 0,3 bar (0.03 MPa)

Pression de démarrage: 0,3 bar (0.03 MPa)

Presión de arranque: 0,3 bar (0.03 MPa)

Pressão de partida: 0,3 bar (0.03 MPa)



### Sensori consigliati

Sensors recommended

Empfohlene Sensoren

Capteurs recommandés

Sensores recomendados

Sensores aconselhados

DT

## Approvals

Declarations	MFR Declaration of Conformity
Standards Met	ISO 15552 / 6431