



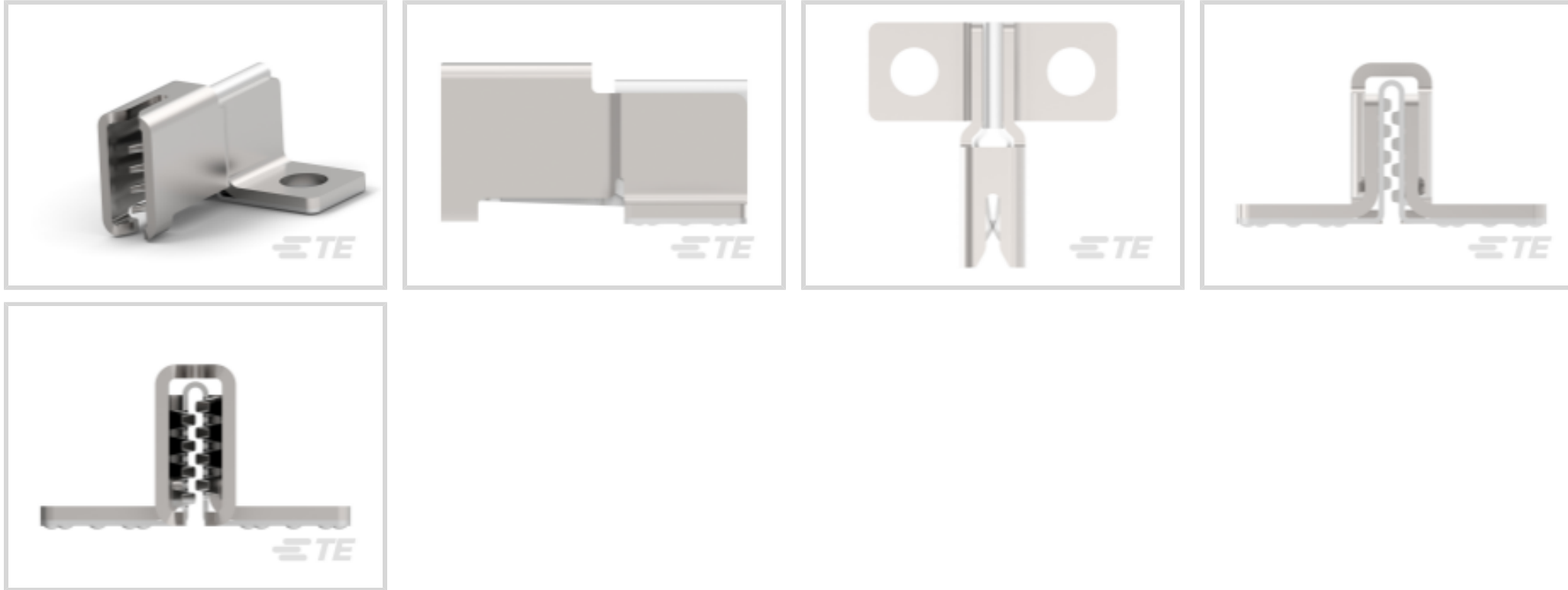
CROWN CLIP

TE Internal #: 104729-1

TE Internal Description: PLUGGABLE BUSBAR 062F,AMP PDS W /GUIDE

[View on TE.com >](#)

Connectors > Power Connectors > Busbar Connectors



Connector System: **Board-to-Bus Bar**

Number of Positions: **1**

Connector & Contact Terminates To: **Bus Bar**

Mating Conductor Thickness: **1.57 mm [.062 in]**

Housing Material: **Stainless Steel**

Features

Product Type Features

Connector & Housing Type	Receptacle
Connector System	Board-to-Bus Bar
Connector & Contact Terminates To	Bus Bar

Configuration Features

Number of Positions	1
PCB Mount Orientation	Right Angle
Mating & Unmating Configuration	Normal

Electrical Characteristics

Operating Voltage	15 VDC
-------------------	--------

Body Features

Bus Bar Contact Plating Material	Silver
----------------------------------	--------

Contact Features

Contact Shape & Form	Four Beam
Contact Underplating Material	Nickel

Contact Underplating Material Thickness	1.27 μ m[50 μ in]
Contact Mating Area Plating Material Thickness	6.35 μ m[250 μ in]
Contact Base Material	Copper Alloy
Contact Current Rating (Max)	250 A
Contact Length	34.08 mm[1.342 in]
Bus Bar Contact Style	Socket

Termination Features

Termination Method to PCB	Through Hole - Screw
---------------------------	----------------------

Mechanical Attachment

Mating Alignment Type	Blindmate
Mating Alignment	With
Bus Bar Connector Mounting Retention	With
PCB Mount Retention Type	Mounting Ears, Mounting Hole
Connector Mounting Type	Board Mount

Housing Features

Housing Material	Stainless Steel
------------------	-----------------

Dimensions

Product Width	34.54 mm[1.36 in]
Product Length	34.09 mm[1.342 in]
Connector Height	17.91 mm[.705 in]

Operation/Application

Circuit Application	Power
---------------------	-------

Industry Standards

Compatible With Agency/Standards Products	UL
---	----

Packaging Features

Packaging Method	Bag & Box
------------------	-----------

Other

Mating Conductor Thickness	1.57 mm[.062 in]
----------------------------	------------------

Product Compliance

[For compliance documentation, visit the product page on TE.com>](#)

EU RoHS Directive 2011/65/EU	Compliant
------------------------------	-----------

EU ELV Directive 2000/53/EC	Compliant
China RoHS 2 Directive MIIT Order No 32, 2016	有害物质含量符合标准要求 No Restricted Substance(s) Above Threshold
EU REACH Regulation (EC) No. 1907/2006	Current ECHA Candidate List: JUNE 2025 (250) Candidate List Declared Against: JAN 2021 (211) Does not contain REACH SVHC
Halogen Content	Low Halogen - Br, Cl, F < 900 ppm per homogenous material. Also BFR/CFR/PVC Free
Solder Process Capability	Not applicable for solder process capability

Product Compliance Disclaimer

This information is provided based on reasonable inquiry of our suppliers and represents our current actual knowledge based on the information they provided. This information is subject to change. The part numbers that TE has identified as EU RoHS compliant have a maximum concentration of 0.1% by weight in homogenous materials for lead, hexavalent chromium, mercury, PBB, PBDE, DBP, BBP, DEHP, DIBP, and 0.01% for cadmium, or qualify for an exemption to these limits as defined in the Annexes of Directive 2011/65/EU (RoHS2). Finished electrical and electronic equipment products will be CE marked as required by Directive 2011/65/EU. Components may not be CE marked. Additionally, the part numbers that TE has identified as EU ELV compliant have a maximum concentration of 0.1% by weight in homogenous materials for lead, hexavalent chromium, and mercury, and 0.01% for cadmium, or qualify for an exemption to these limits as defined in the Annexes of Directive 2000/53/EC (ELV). Regarding the REACH Regulation, the information TE provides on SVHC in articles for this part number is based on the latest European Chemicals Agency (ECHA) 'Guidance on requirements for substances in articles' posted at this URL: <https://echa.europa.eu/guidance-documents/guidance-on-reach>

Customers Also Bought



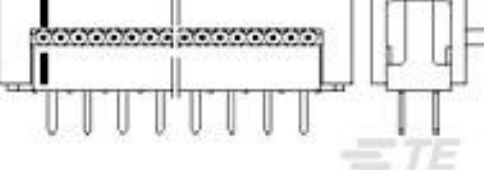
TE Part #NB-PTCO-032
Pt100, 1.2x4.0, Class B, PTFM101B1G0



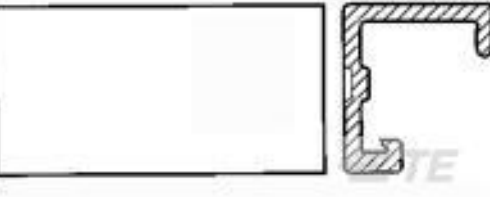
Single Wall
TE Part #011083-000
82A0111-8-9



TE Part #104742-2
PLUGGABLE BUSBAR 062F2 POWER CONNECTOR



TE Part #1-216093-0
AMP-LATCH PRE-ASSY DIL WITHO



TE Part #640550-2
02P MTA100 COVER



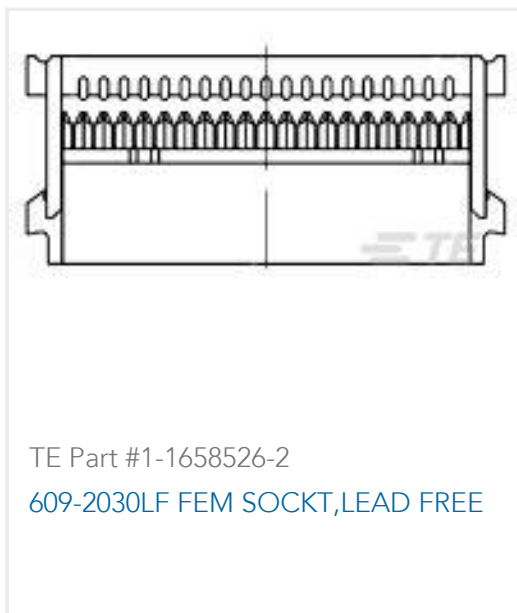
TE Part #1478769-1
ANTI-VIB NYLON GLD 12MM BLK



TE Part #1-1478963-0
SMA PNL SKT RCPT, 2/FLNG GSS



TE Part #2-1625890-1
2W SM M/OX 5% 1K2



Documents

Product Drawings

[PLUGGABLE BUSBAR 062F,AMP PDS W/GUIDE](#)

English

CAD Files

[3D PDF](#)

3D

Customer View Model

[ENG_CVM_CVM_104729-1_D7.2d_dxf.zip](#)

English

Customer View Model

[ENG_CVM_CVM_104729-1_D7.3d_igs.zip](#)

English

Customer View Model

[ENG_CVM_CVM_104729-1_D7.3d_stp.zip](#)

English

By downloading the CAD file I accept and agree to the [Terms and Conditions](#) of use.

Datasheets & Catalog Pages

[POWER_CONNECTORS_CATALOG_SEC05_BUSBAR](#)

English

[Busbar Power Brochure](#)

English

Product Specifications

[Application Specification](#)

English

Agency Approvals

[UL Report](#)

English