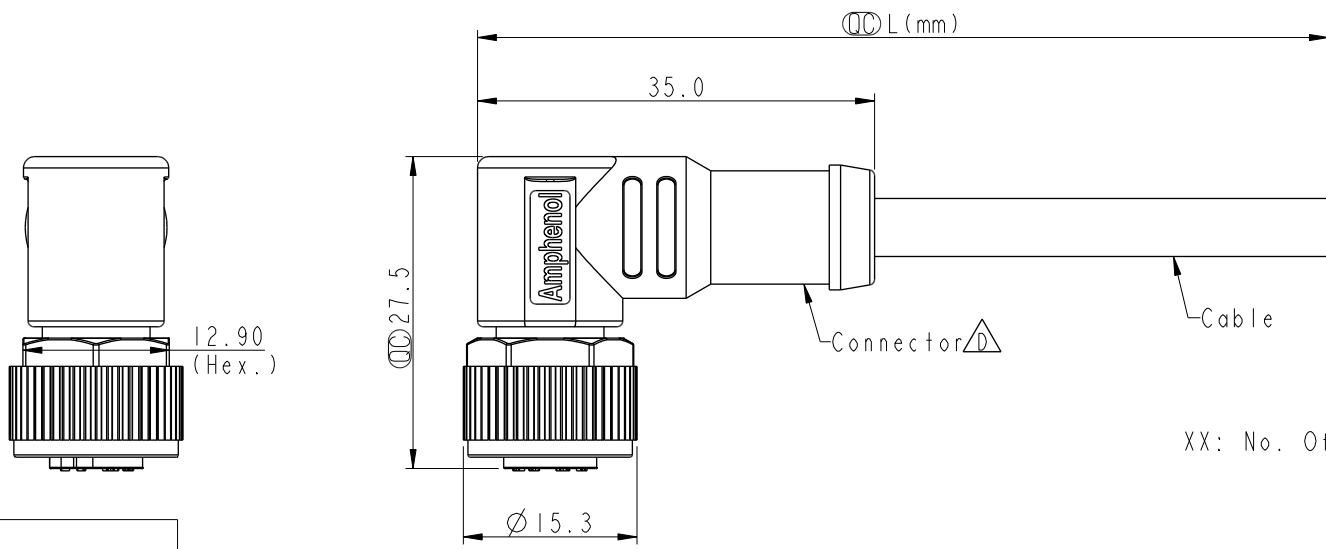


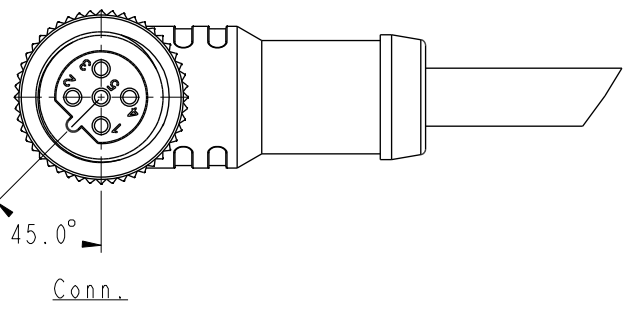
THIS DOCUMENT IS SUBJECT TO CHANGE WITHOUT NOTICE. IT IS CONFIDENTIAL AND A PROPERTY OF Amphenol LTW. DISCLOSURE TO THIRD PARTY HAS TO BE AUTHORIZED BY Amphenol LTW.

REV.	ECN NO.	DATE	SIGN	DESCRIPTION
D	C191071	2019-06-24	Eric	Increase 4Pin
E	C201578	2020-10-21	Ruru	△E X5
F	C210542	2020-02-05	Ruru	△E X3



△E △E  
M12B-XXBFFM-SR8DXX  
XX: No. Of Pin  
XX:01~99Meters  
01:01Meter  
02:02Meters  
:  
99:99Meters

Pin Out	5	Gray	灰
	4	Black	黑
3	Blue	藍	
	2	White	白
1	Brown	棕	
Pin #	Wire		
Conn.			
	5P		
Pin Assignments Front View			



- Note: △E △F
- \* RoHS Compliant
  - \* Ⓞ Important dimension
  - \* △C Waterproof rate: IPX8, mated 1m/24h  
IPX9K, mated
  - \* Connector  
Housing: Thermoplastic, Black  
Pin: Copper alloy, Gold plated  
O-Ring: Rubber, Green  
Nut: Metal  
Outer mold: Thermoplastic, Black
  - \* Cable: UL2517, 22#\*5C, OD=5.1mm, PVC Jacket, Black
  - \* Cable length tolerance: 1M: +50/-0 mm  
1M < L ≤ 3M: +100/-0 mm  
3M < L ≤ 5M: +150/-0 mm  
5M < L ≤ 10M: ±100 mm  
10M < L ≤ 20M: ±200 mm  
20M < L ≤ 30M: ±300 mm  
30M < L ≤ 99M: ±500 mm

UNIT:mm		
TOLERANCE	±0.5mm	

TITLE N SEN, M12 B, SCREW CABLE W/O SR, F, F, MOLDING △F			
SCALE 3:2	SIZE A4	SHEET 1 OF 1	
REV. F	WC-REV. A.2	Ⓞ: Inspection item	

**Amphenol LTW**  
安費諾亮泰企業股份有限公司

ITEM NO	DRAWN BY Eric	DATE 2019-06-24
DWG NO △E M12B-XXBFFM-SR8DXX	CHECKED BY Brady	DATE 2019-06-24
CUSTOMER ALTW	APPROVED BY Neo	DATE 2019-06-24