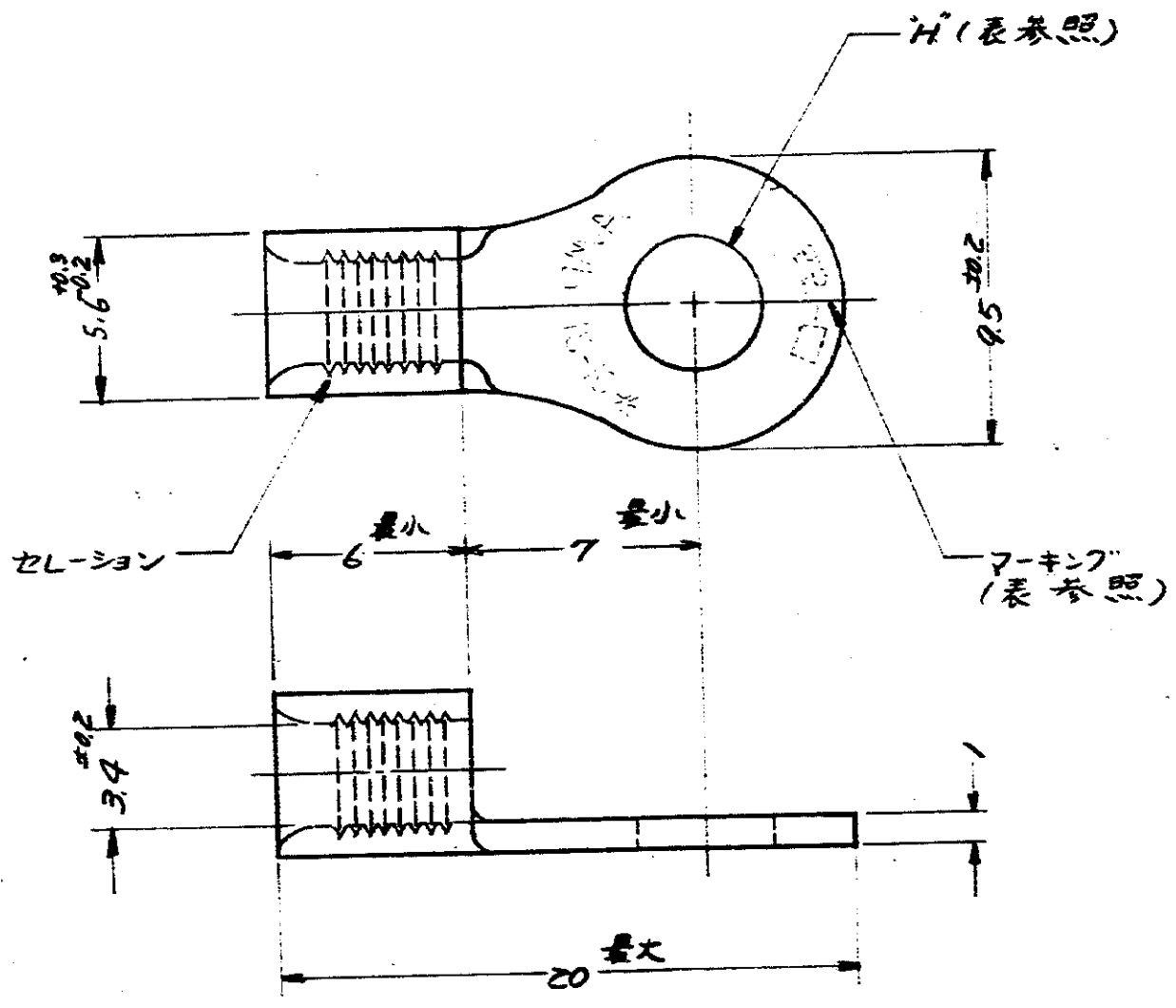


C-170725



型番	スラド	H ±0.1 ^φ	マ-キング
170725-1	4MM	4.4	55-4
170725-2	5MM	5.4	55-5

単位: 1/100 DIMENSIONS IN MM DO NOT SCALE PRINT

G	Revised	J81-6162	5/7	2	1/15/82
F	REVISED (P-DWG REV. B)	T.K	3/2	3/2	4/1/82
E1	ADDED * MARK (P-DWG REV. A)	S.M	10/15/82		
E	REVISED (P-DWG REV. A)	S.M	10/15/82		
D	REVISED (P-DWG REV. A)	T.A	10/15/82		
C	ADD JIS 2-7 (P-DWG REV. A)	K.K	10/15/82		
B	REVISED (P-DWG REV. A)	K.K K.S	10/15/82		
A	DELETE MARK * (P-DWG REV. B)	K.K	10/15/82		
O	RELEASED (P-DWG REV. C)	K.K	10/15/82		
LTR	変更 REVISION RECORD	DR.	CHK	DATE	
DR.	K. Kobayashi				
CHK.	T. Kobayashi				

DELETED MARK (P-DWG REV. A) 10/15/82

DISBY AMP Japan LTD ALL RIGHTS RESERVED AMP PRODUCTS COVERED BY PATENTS AND OR PATENTS PENDING

参考図面 (CUSTOMER COPY) (REFERENCE ONLY)

日本ニ一エム・ピー株式会社 TOKYO, JAPAN

MATERIAL: 電気銅

焼付孔 錫めっき

WIRE RANGE: 2.63-6.64 mm AWG 12-10

INSULATION DIA: 1.0 IN

TRADE MARK: AMP

CLASS: 1

TYPE: ソリッドランド

SCALE: 4-1

LOC: JA

SIZE: C-170725

REV. NO: G1

NAME: 丸型端子