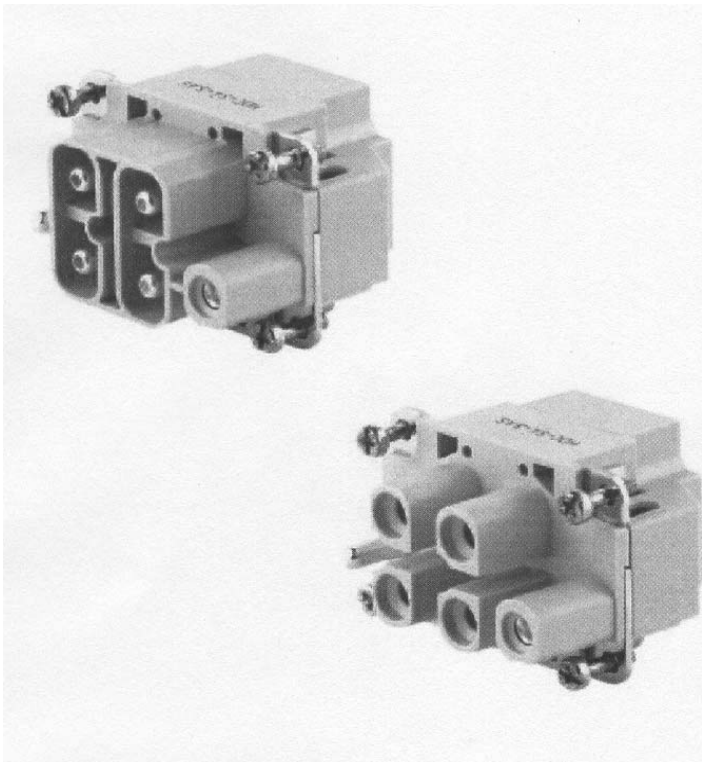


High current and high voltage insert



In order to meet growing demands made on industrial connectors, now and in the future, Contact has developed a high voltage insert, equipped with an axial screw contact.

This enables high rated currents and high rated voltages to be carried in confined spaces.

The pin and female inserts can be fitted into the existing standard hoods and housings i.e HBE-6

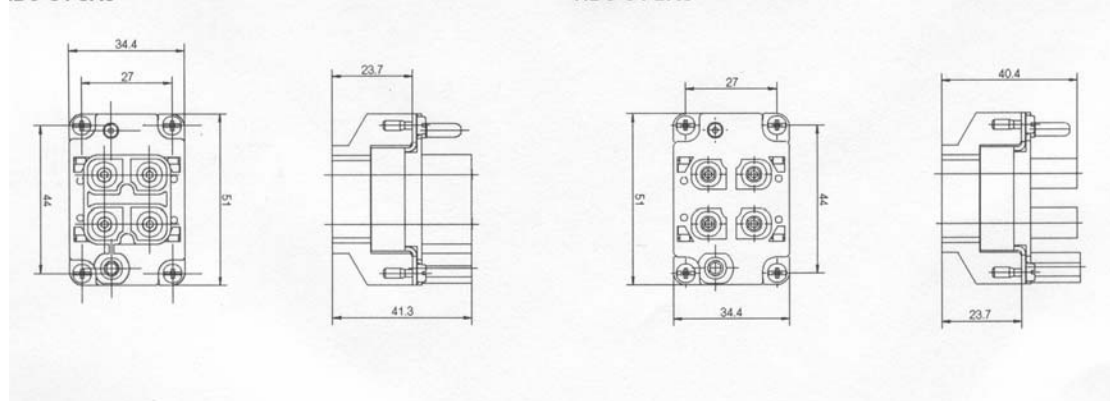
Advantages:

- 4 power contacts (40A / 1000V)
- Axial screw connection technology
- For large outer cable diameters including insulation of max 10.5mm Ø
- Requires little space
- Easy to handle
- No special tools required

Heavy Duty Connectors

40A/1000V Male Inserts

40A/1000V Female Inserts



Technical Data

Materials Data		Male Inserts	
Insulation Data	PC glass fibre reinforced (no halogens or phosphorus)	Pole Number	4
Colour	Grey (similar to RAL 7032)	Type	40A/1000V
Temperature Range	-40°C to +125°C	Cat. No.	10178999
Flammability Class	UL 94 V-O	Qty	10
Characteristic system values		Female Inserts	
Connection technology	Axial screw contact	Pole Number	4
Insulation stripping length	8mm	Type	40A/1000V
Pole number	4	Cat. No.	10178998
		Qty	10
Connectable Conductors		Data according VDE 0110/04.97	
Clamping range	2.5-10mm ²	Rated current	40A
AWG	14-8	Rated voltage	1000V
<i>The axial screw connection is suitable only for flexible and finely flexible conductors.</i>		Impulse voltage	8kV
Material contacts		Accessories	
Basic material	Copper alloy	2mm Allan Key	15.2689
Plating	Silver plated		

Mounting Instructions



1. Strip conductor insulation – 8mm – Be careful not to twist the wire !
2. Insert the wire into the contact cavity until the insulation is flush with the contact
3. Insert the Allan key into the hexagon-socket screw on the mating side of the relevant contact. Hold the wire in position when tightening the clamping nut.

The tightening torque is 1 Nm

Only to be used with the high construction HBE-6 hood and standard housing