

# Toggle Switch



## Specification

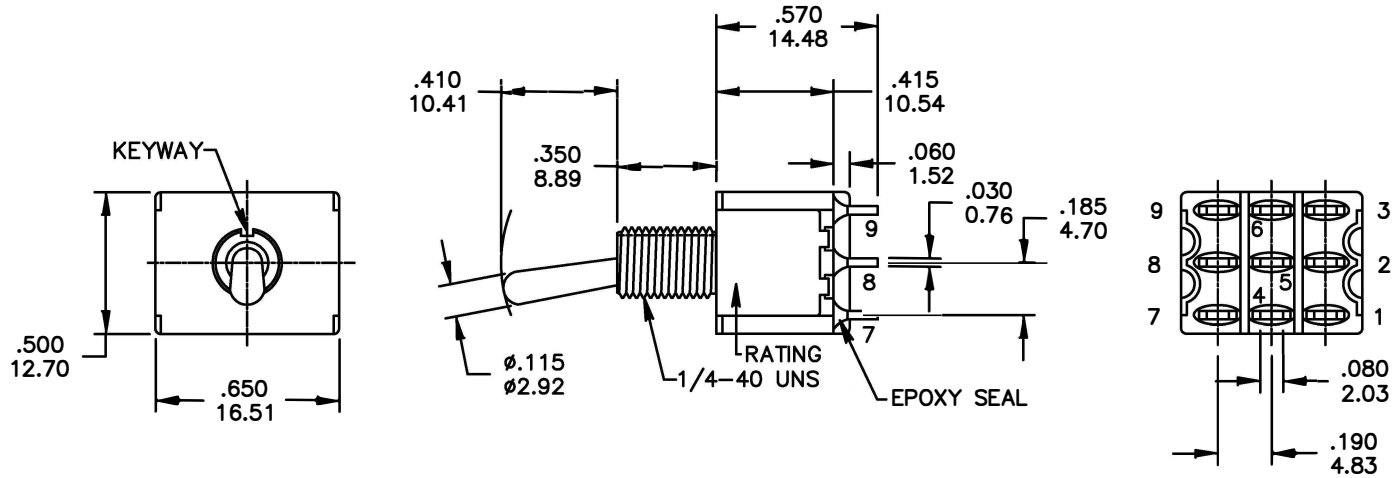
Switch Rating	5 A @ 120 VAC or 28 VDC; 2 A @ 250 VAC
Contact Resistance	10 mΩ
Insulation Resistance	1 GΩ
Dielectric Strength	1,000 V RMS @ sea level
Operating Temperature	-40 °C ~ 85 °C
Mechanical Life	40,000
Position	2
Bushing Thread	1/4" -40 UNS

## Material

Actuator	Brass, Chrome Plated
Bushing	Brass, Nickel Plated
House	Stainless Steel
Terminal/Contact	Silver Plated

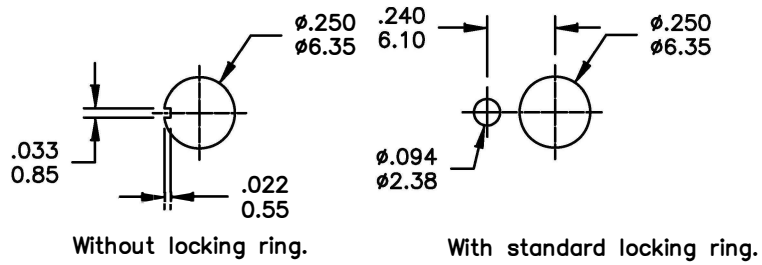
Art. Nr.  
RND 210-00835

**Drawing**

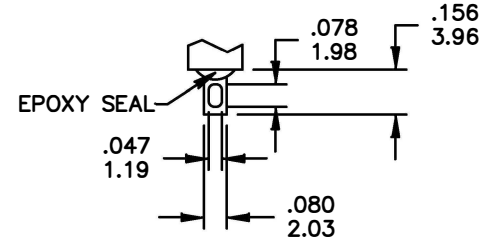


**SWITCH FUNCTION**

	POS.1	POS.2	POS.3
3P1	ON	NONE	ON
Term. Comm.	2-3,5-6,8-9		2-1,5-4,8-7
SCHMATIC		N/A	



**PANEL MOUNTING**



**SOLDER LUG**

Art. Nr.  
RND 210-00835