

Product Details



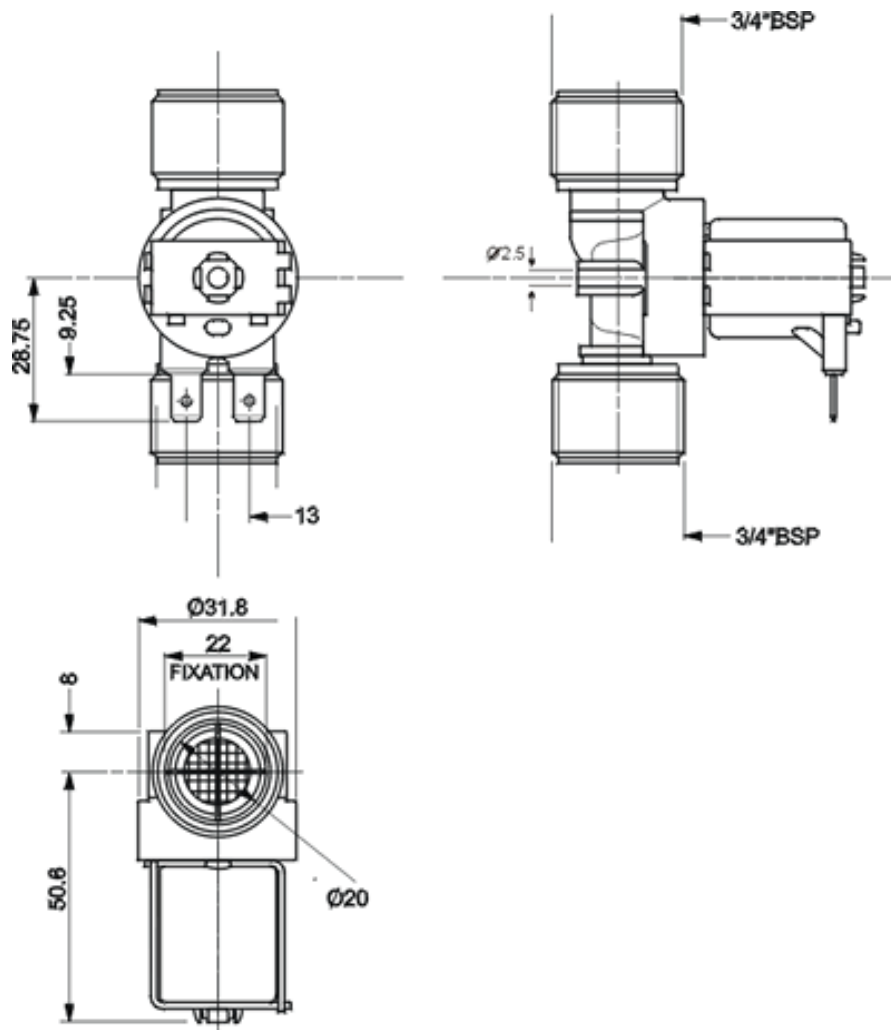
Threaded/ Push-fit solenoid valves

A range of single or double electrically operated solenoid valves for the control of water supplies above 0.2 bar. There is a choice of threaded or push-fit port connections for secure installation. Standard port connections are 3/8" BSP gas, 1/2" Gas, 3/4" gas BSP, 3/8" push-fit and 10mm push-fit. Typically used in hand washers, refrigeration equipment and automatic tap systems.

Technical Specification

Voltage	230V, 120V or 24V AC, 24V or 12V AC/DC
Frequency	50/60 Hz or DC
Power Draw	6 VA
Coil Insulation	Class F- 140 °C operating temperature
Pressure Range	0.2 to 10 bar
Ambient Temperature (Tu)	60 °C maximum
Medium/ Temperature	Water/ air 90 °C maximum
Operating Limits	Continuous 100%, Tm 90 °C, Tu 25 °C, 3 minutes on 5 minutes off, Tm 90 °C, Tu 60 °C
Flow Regulation	0.25 to 17 litres per minute
Terminals	Two 6.35mm x 0.8 mm male tab terminals
Approvals	All major electro-technical and potable water standards ie: EN 60730-2-8, UL429, BEAB, NSF and WRAC
Construction	Polyamide body with Nitrile or EPDM diaphragm minimum burst pressure 65 bar
Ports	Inlet 3/4, 1/2, 3/8BSP or 3/8,10mm Pushfit

Schematic



All details and measurements are approximate, and are meant as a guideline to the range of products only.