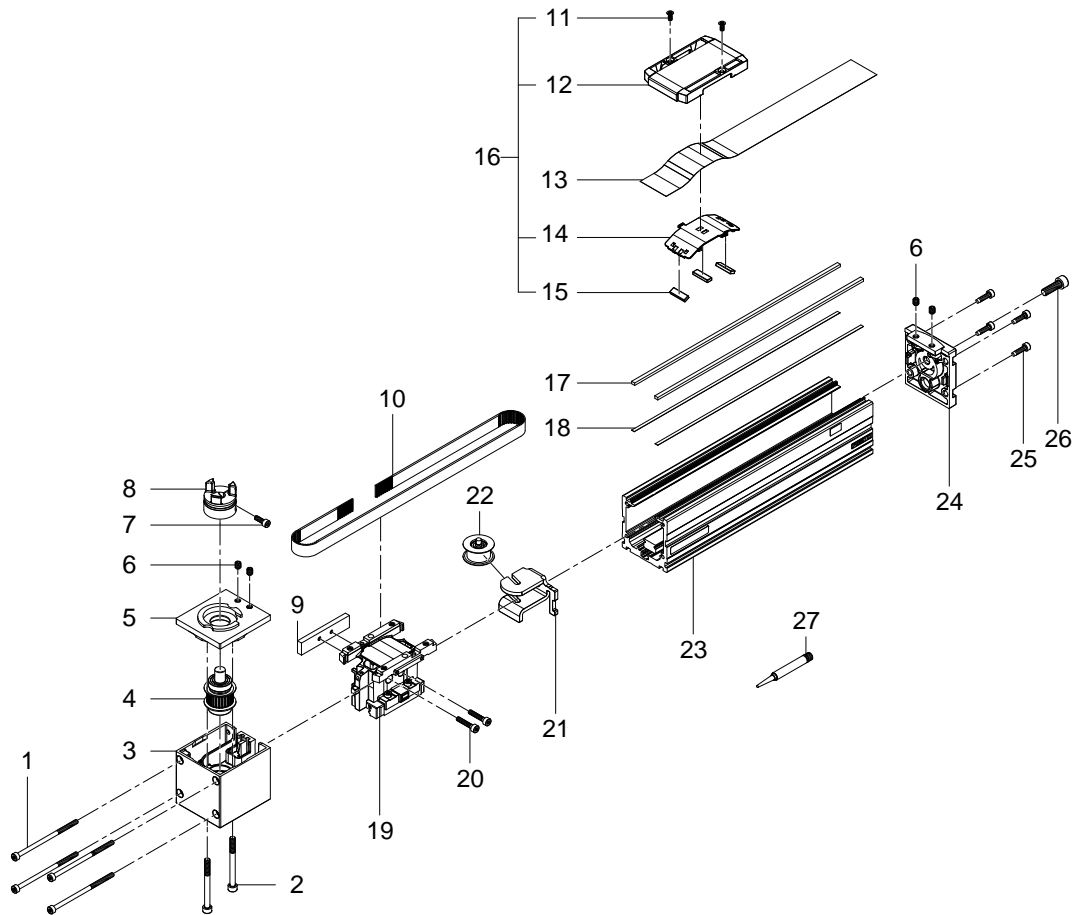


8062776 ELGC-TB-KF-60-200 Toothed belt axis - Series from 07-2022



## 8062776 ELGC-TB-KF-60-200 Toothed belt axis - Series from 07-2022

Pos.	Part no.	Type	Note	Qty.	Unit
1		ISO 14579-M4X75-8.8 Socket head screw	Not available Tightening torque 3 Nm / 2.2 lbf ft Achtung! Element chemisch vernickelt (B0b)/Attention! Component chemically nickel-plated (B0b)	4	PC
2		ISO 14579-M5X55-8.8 Socket head screw	Not available Tightening torque 5.9 Nm / 4.4 lbf ft Achtung! Element chemisch vernickelt (B0b)/Attention! Component chemically nickel-plated (B0b)	2	PC
3		ELGC-TB-KF-60:CO Drive cover	Not available Use locking compound. See position 27	1	PC
4		ELGC-TB-KF-60 Toothed belt pulley module	Not available	1	PC
5		ELGC-TB-KF-60 Plate	Not available	1	PC
6	8146611	ISO 4026-M4X5-45H Threaded pin	Tightening torque 0.8 Nm / 0.6 lbf ft Achtung! Element chemisch vernickelt (B0b)/Attention! Component chemically nickel-plated (B0b) Attention! 2 pieces included	2	PC
7			Not available Tightening torque 4 Nm / 3.0 lbf ft	1	PC
8		EAMC-30-GB16-D10X10-A Hub	Not available	1	PC
9		ELGC-TB-KF-60 Plate	Not available Use locking compound. See position 27 Achtung! Element chemisch vernickelt (B0b)/Attention! Component chemically nickel-plated (B0b)	1	PC
10	8117995	12LL-3MR-5M-610-5555 Toothed belt	Attention! Length 5 meter <a href="#">Repair note: Quick_guide_toothed_belt</a> <a href="#">Replacing the toothed belt</a>	1	PC
11		ISO 7046-M3X8-4.8-Z Countersunk screw	Not available separately, see position 16 Tightening torque 0.5 Nm / 0.4 lbf ft Achtung! Element chemisch vernickelt (B0b)/Attention! Component chemically nickel-plated (B0b)	2	PC
12		ELGC-60 Covering	Not available separately, see position 16 Use locking compound. See position 27	1	PC
13	8179384	ELGC/ELFC-KF-60 Cover strip	Attention! Length 2.5 meter <a href="#">Repair video</a>	1	PC
14		ELGC-60 Belt reversal	Not available separately, see position 16	1	PC
15		EMMT-AS-60- Magnet	Not available separately, see position 16	3	PC
16	8179467	ELGC-60 Belt reversal	<a href="#">Repair video</a>	1	PC
17	8040752	2X3X10000 Magnetic tape	Attention! Length 10 meter	1	PC
18	4171246	ELGA-TB-KF Adhesive tape		25	M
19		ELGC-TB-KF-60 Slide unit	Not available Lubricate with ELKALUB VP 922 during assembly	1	PC
20		ISO 14579-M4X20-8.8 Socket head screw	Not available Tightening torque 2.5 Nm / 1.8 lbf ft Achtung! Element chemisch vernickelt (B0b)/Attention! Component chemically nickel-plated (B0b)	2	PC
21		ELGC-TB-KF-60 Mounting bracket	Not available	1	PC
22		ELGC-TB-KF-60 Take-up pulley module	Not available	1	PC

Pos.	Part no.	Type	Note	Qty.	Unit
23		ELGC-TB-KF-60 Cylinder barrel module	Not available	1	PC
24		ELGC-TB-KF-60:CO Cover	Not available	1	PC
25		DIN 7500-OE M4X16-ST self-tapping screw	Not available Tightening torque 3 Nm / 2.2 lbf ft Achtung! Element chemisch vernickelt (B0b)/Attention! Component chemically nickel-plated (B0b)	4	PC
26		ISO 14579-M6X20-10.9 Socket head screw	Not available Achtung! Element chemisch vernickelt (B0b)/Attention! Component chemically nickel-plated (B0b)	1	PC
27	8181256	CYBERBOND TM44 TB1ML Adhesive bonding agent		1	PC