

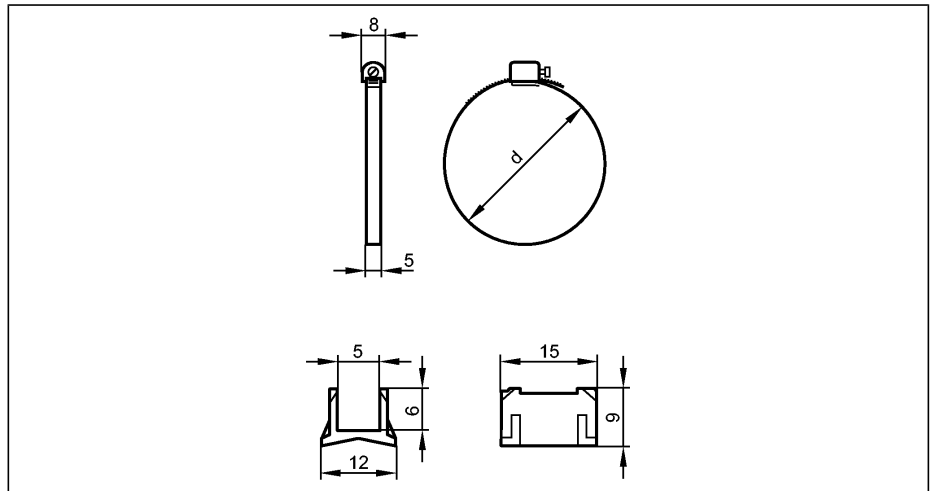
Accessories

E11818

Fixing strap for clean-line cylinders

Ø 25...32 mm

Piston diameter



Made in Germany

Design	for types MKT
Piston diameter [mm]	25...32
Clamping range d [mm]	28...39
Housing materials	adapter: PA (polyamide); Fixing strap: stainless steel (303S22)
Weight [kg]	0.007
Accessories (included)	adapter for types MKT