



Product designation				Power contactor
Product type designation				BF265
Contact characteristics				
Number of poles	Nr.			4
Rated insulation voltage U _i IEC/EN	V			1000
Rated impulse withstand voltage U _{imp}	kV			8
Operational frequency	min	Hz	25	
	max	Hz	400	
IEC Conventional free air thermal current I _{th} ≤ 40°C	A			450
Operational current I _e	AC-1 (≤40°C)	A	450	
	AC-1 (≤55°C)	A	375	
	AC-1 (≤70°C)	A	325	
	AC-3 (≤440V ≤55°C)	A	265	
	AC-4 (400V)	A	125	
Rated operational power AC-3 (T≤55°C)	230V	kW	75	
	400V	kW	132	
	415V	kW	132	
	440V	kW	160	
	500V	kW	160	
	690V	kW	200	
	1000V	kW	160	
Rated operational current AC-3 (T≤55°C)	230V	A	265	
	400V	A	265	
	415V	A	265	
	440V	A	265	
	500V	A	250	
	690V	A	250	
	1000V	A	115	
Rated operational power AC-1 (T≤40°C)	230V	kW	170	
	400V	kW	296	
	500V	kW	326	
	690V	kW	511	
IEC max current I _e in DC1 with L/R ≤ 1ms with 1 poles in series	75V	A	350	
	110V	A	160	
IEC max current I _e in DC1 with L/R ≤ 1ms with 2 poles in series	75V	A	350	
	110V	A	300	
	220V	A	250	
IEC max current I _e in DC1 with L/R ≤ 1ms with 3 poles in series				

	75V	A	350
	110V	A	300
	220V	A	300
	330V	A	250
IEC max current I _e in DC1 with L/R ≤ 1ms with 4 poles in series			
	75V	A	350
	110V	A	300
	220V	A	300
IEC max current I _e in DC3-DC5 with L/R ≤ 15ms with 1 poles in series			
	75V	A	280
	110V	A	150
IEC max current I _e in DC3-DC5 with L/R ≤ 15ms with 2 poles in series			
	75V	A	280
	110V	A	250
	220V	A	200
IEC max current I _e in DC3-DC5 with L/R ≤ 15ms with 3 poles in series			
	75V	A	280
	110V	A	280
	220V	A	250
	330V	A	200
IEC max current I _e in DC3-DC5 with L/R ≤ 15ms with 4 poles in series			
	75V	A	280
	110V	A	280
	220V	A	280
	330V	A	280
	460V	A	200
Short-time allowable current for 10s (IEC/EN60947-1)		A	2120
Protection fuse			
	gG (IEC)	A	630
	aM (IEC)	A	400
Making capacity (RMS value)		A	2650
Breaking capacity at voltage			
	440V	A	2120
	500V	A	1792
	690V	A	1624
Resistance per pole (average value)		mΩ	0.12
Power dissipation per pole (average value)			
	I _{th}	W	24.3
	AC-3	W	8.4
Tightening torque for terminals			
	min	Nm	35
	max	Nm	35
	min	lbin	310
	max	lbin	310
Tightening torque for coil terminal			
	min	Nm	0.8
	max	Nm	1
Conductor section			
Flexible with insulated spade lug conductor section			
	max	mm ²	16
Power terminal protection according to IEC/EN 60529			IP00

Mechanical features

Operating position

	normal allowable		Vertical plan ±30°
Fixing			Screw
Operations			
Mechanical life		cycles	5000000
Electrical life		cycles	900000
Safety related data			
Performance level B10d according to EN/ISO 13489-1			
	rated load	cycles	900000
	mechanical load	cycles	5000000
EMC compatibility			yes
AC coil operating			
Rated AC voltage at 50/60Hz, 60Hz			
	min	V	60
	max	V	130
AC operating voltage			
of 50/60Hz coil powered at 50Hz			
	pick-up		
	min	%Us	80 Us min
	max	%Us	110 Us max
	drop-out		
	max	%Us	≤70 Us min
of 50/60Hz coil powered at 60Hz			
	pick-up		
	min	%Us	80 Us min
	max	%Us	110 Us max
	drop-out		
	max	%Us	≤70 Us min
AC average coil consumption at 20°C			
of 50/60Hz coil powered at 50Hz			
	in-rush	VA	160...320
	holding	VA	3.5...8.0
of 50/60Hz coil powered at 60Hz			
	in-rush	VA	160...320
	holding	VA	3.5...8.0
of 60Hz coil powered at 60Hz			
	in-rush	VA	160...320
	holding	VA	3.5...8.0
Dissipation at holding ≤20°C 50Hz		W	3.5...8.0
DC coil operating			
DC rated control voltage			
	min	V	60
	max	V	130
DC operating voltage			
pick-up			
	min	%Us	85 Us min
	max	%Us	110 Us max
drop-out			
	max	%Us	≤70 Us min
Average coil consumption ≤20°C			
	in-rush	W	160...230
	holding	W	3.5...8.0
Max cycles frequency			

Mechanical operation cycles/h 1000

Operating times

Average time for Us control in AC	Closing NO	min	ms	80
		max	ms	120
	Opening NO	min	ms	30
		max	ms	75

UL technical data

Rated operational voltage AC (UL) V 600

Yielded mechanical performance for three-phase AC motor	200/208V	HP	75
	220/240V	HP	100
	460/480V	HP	200
	575/600V	HP	250

General USE

Contactor AC current A 450

Short-circuit protection fuse, 600V High fault	Short circuit current	kA	100
	Fuse rating	A	600
	Fuse class		J
Standard fault	Short circuit current	kA	18
	Fuse rating	A	600
	Fuse class		RK5

Ambient conditions

Temperature

Operating temperature min °C -40
max °C 70

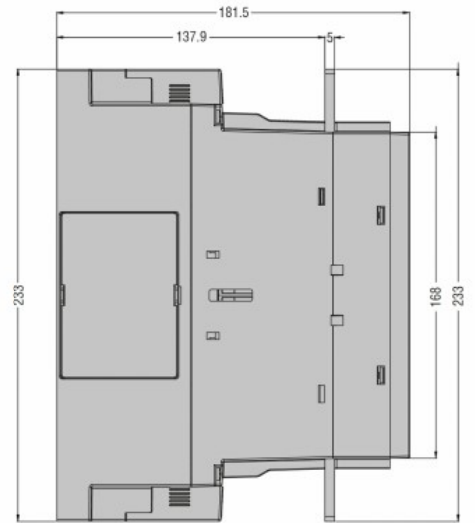
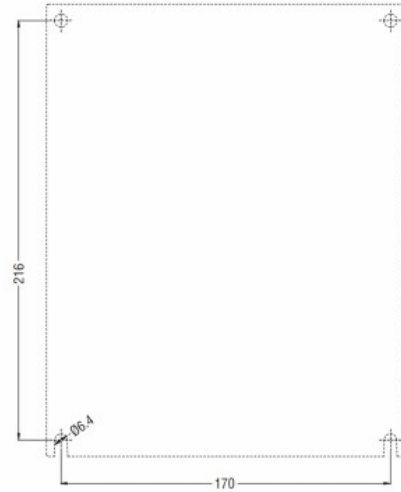
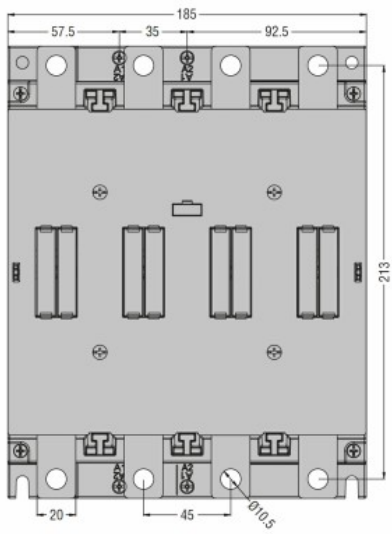
Storage temperature min °C -50
max °C 80

Max altitude m 3000

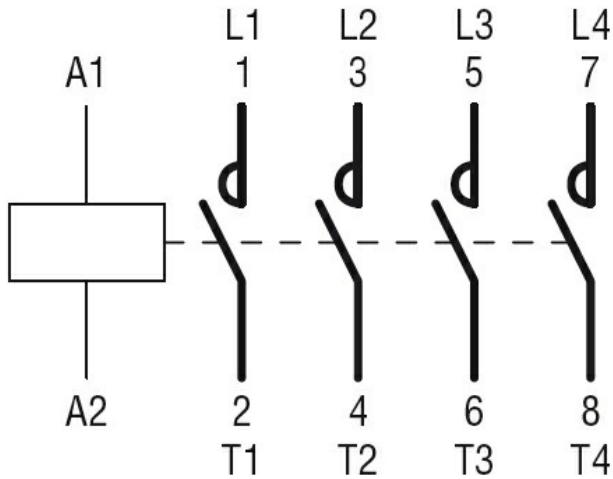
Resistance & Protection

Pollution degree 3

Dimensions



Wiring diagrams



Certifications and compliance

Compliance

- CSA C22.2 n° 60947-1
- CSA C22.2 n° 60947-4-1
- IEC/EN/BS 60947-1
- IEC/EN/BS 60947-4-1
- UL 60947-1
- UL 60947-4-1

Certificates

cULus

ETIM classification

ETIM 8.0

EC000066 -
Power contactor,
AC switching