

1

2

3

4

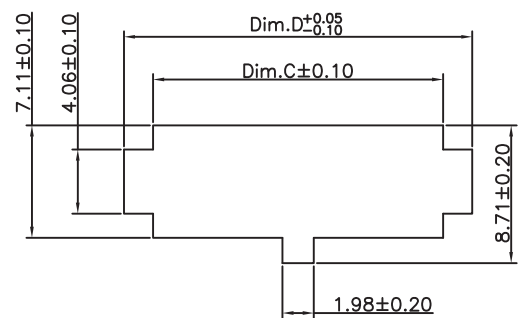
5

A

B

C

D



TECHNICAL CHARACTERISTICS

MATERIAL
 INSULATOR: NYLON 66
 FLAMABILITY RATING: UL94-V0
 COLOR: BLACK
 PITCH: 3.00MM

ENVIRONMENTAL
 OPERATING TEMPERATURE: -25 UP TO 105°C
 COMPLIANCE: LEAD FREE AND ROHS

ELECTRICAL
 CURRENT RATING: 5A
 WORKING VOLTAGE: 250V AC
 INSULATOR RESISTANCE: >1000 MOHM
 DIELECTRIC WITHSTANDING VOLTAGE: 1500V AC/MN

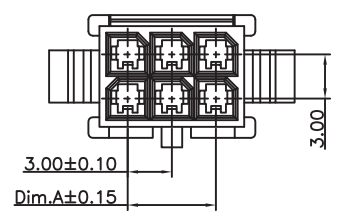
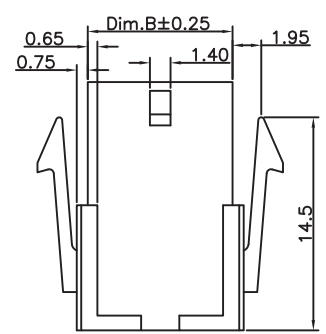
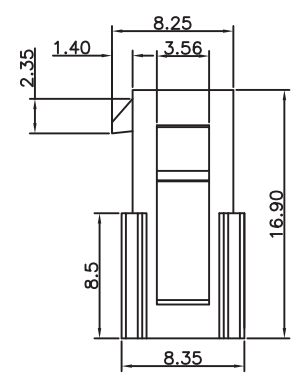
STANDARD
 CERTIFIED: E323964

PACKAGING
 BAG

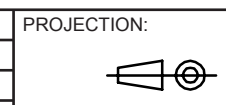
DIMENSION

PINS	A	B	C	D
2	-	3.85	4.21	7.90
4	3.00	6.85	7.21	10.90
6	6.00	9.85	10.21	13.89
8	9.00	12.85	13.21	16.89
10	12.00	15.85	16.21	19.89
12	15.00	18.85	19.21	22.89
14	18.00	21.85	22.20	25.88
16	21.00	24.85	25.20	28.88
18	24.00	27.85	28.20	31.88
20	27.00	30.85	31.22	34.87
22	30.00	33.85	34.22	37.87
24	33.00	36.85	37.22	40.87

RECOMMENDED PANEL CUT-OUT
 RECOMMENDED THICKNESS: 1.4-2.54mm



RoHS Compliant



GENERAL TOLERANCE
 .X = +/- 0.2
 .XX = +/- 0.15



APPROVAL: BB

UNIT: MM
 SCALE:
 SHEET: 1/2
 DRAW: PEARL

DESCRIPTION: 3.00MM MALE DUAL ROW PLUG WITH MOUNTING EARS
 WERI PART NO: 662 0xx 218 22

SIZE
A4

H	12-SEP-14	DRAWINGS	AS
REV	DATE	FILE	BY