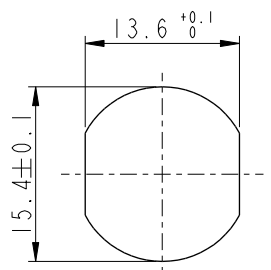
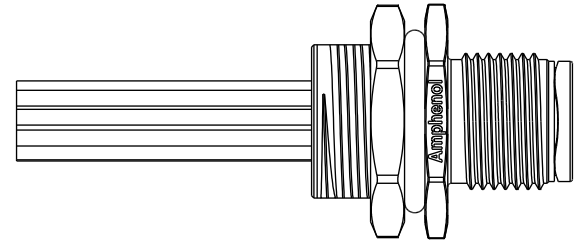
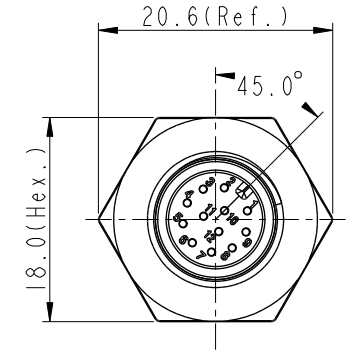
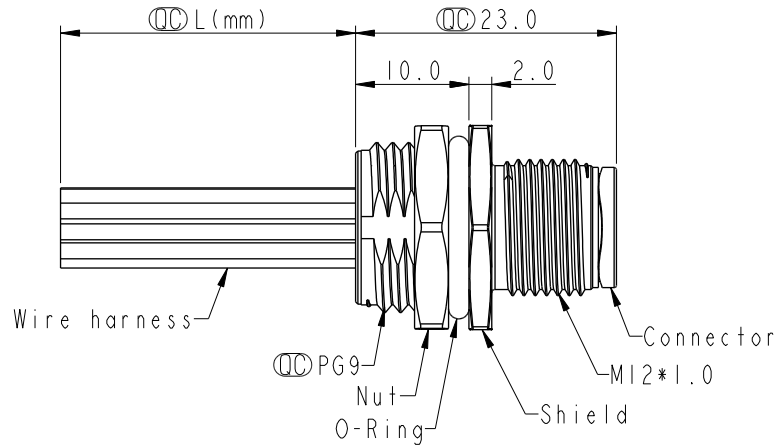
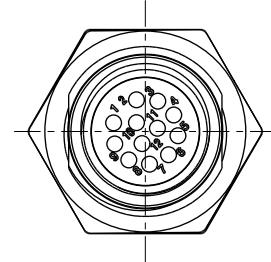


THIS DOCUMENT IS SUBJECT TO CHANGE WITHOUT NOTICE. IT IS CONFIDENTIAL AND A PROPERTY OF AMPHENOL LTW. DISCLOSURE TO THIRD PARTY HAS TO BE AUTHORIZED BY AMPHENOL LTW.

REV.	ECN NO.	DATE	SIGN	DESCRIPTION
F	C201547	2020/10/08	Vicky	$\triangle F$ X4
G	C210023	2021/01/14	Vicky	$\triangle G$ X2
H	C210593	2021/04/15	Ruru	$\triangle H$ X4



Recommended Panel Cut-Out

Note: $\triangle C$ $\triangle D$ $\triangle F$ $\triangle G$ $\triangle H$

- * RoHS Compliant
- * QC Important dimension
- * Waterproof rate: IPX8, unmated 1m/24h
IPX9K, unmated
- * Connector
Housing: Thermoplastic, Black
Pin: Copper alloy, Gold plated
- * Shield: Metal
- * Nut: Metal
- * O-Ring: Rubber, Black
- * Wire harness: UL1061
- * For panel thickness max: 4.5mm
- * O-Ring and nut are assembled on connectors
- * Wire harness tolerance: 100mm: ±10mm
100mm < L ≤ 300mm: ±15mm
300mm < L ≤ 1000mm: ±20mm
1000mm < L ≤ 1500mm: ±50mm

UNIT: mm		
TOLERANCE		
.X	±0.25	
.XX	±0.1	
.XXX	±0.05	
ANGLES	±1°	

TITLE N SEN, M12 A, SCREW RECEPTACLE, M, M, SOLDER $\triangle H$		
SCALE 1:1	SIZE A4	SHEET 1 OF 2
REV. H	WC-REV. A.5	QC : Inspection item

Amphenol LTW
安費諾亮泰企業股份有限公司

ITEM NO. M12A-XXPMMS-SH8BXX	DWG NO. $\triangle F$	DRAWN BY Ruru	DATE 2019-09-19
CUSTOMER ALTW	APPROVED BY Max	CHECKED BY Rita	DATE 2019-09-19
			DATE 2019-09-19

THIS DOCUMENT IS SUBJECT TO CHANGE WITHOUT NOTICE. IT IS CONFIDENTIAL AND A PROPERTY OF AMPHENOL LTW. DISCLOSURE TO THIRD PARTY HAS TO BE AUTHORIZED BY AMPHENOL LTW.

12P	26	M12A-12PMMS-SH8BXX
10P		M12A-10PMMS-SH8BXX
8P	24	M12A-08PMMS-SH8BXX
6P		M12A-06PMMS-SH8BXX
Contacts	AWG	Item No.

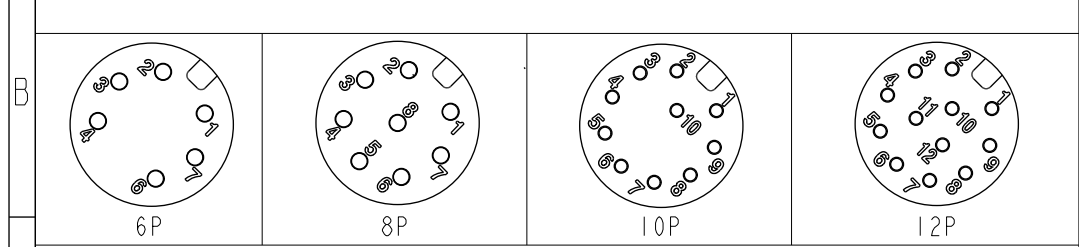

 M12A-XXPMMS-SH8BXX


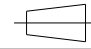

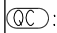
XX: No. Of Pin

10:100mm
 15:150mm
 20:200mm
 }
 95:950mm
 Cable Pitch Unit=50mm

 A0:1000mm
 }
 A5:1500mm
 Cable Pitch Unit=100mm
 Wire Length (L):150~1500 mm

8	--	8	Red	紅	12	--	12	Red/Blue	紅/藍
7	Blue	7	Blue	藍	11	--	11	Gray/Pink	灰/粉
6	Pink	6	Pink	粉	10	Violet	10	Violet	紫
5	-	5	Gray	灰	9	Black	9	Black	黑
4	Yellow	4	Yellow	黃	8	Red	8	Red	紅
3	Green	3	Green	綠	7	Blue	7	Blue	藍
2	Brown	2	Brown	棕	6	Pink	6	Pink	粉
1	White	1	White	白	5	Gray	5	Gray	灰
Pin #	Wire	Pin #	Wire		Pin #	Wire	Pin #	Wire	



UNIT:mm			TITLE N SEN, M12 A, SCREW RECEPTACLE, M, M, SOLDER 
TOLERANCE .X ±0.25 .XX ±0.1 .XXX ±0.05 ANGLES ±1°	SCALE 1:1	SIZE A4	SHEET 2 OF 2
	REV. H	WC-REV. A.5	 : Inspection item

Amphenol LTW
 安費諾亮泰企業股份有限公司

ITEM NO	DRAWN BY Ruru	DATE 2019-09-19
DWG NO  M12A-XXPMMS-SH8BXX	CHECKED BY Rita	DATE 2019-09-19
CUSTOMER ALTW	APPROVED BY Max	DATE 2019-09-19