

## DALI PS 100 LI

### DALI PS 100 LI | Accessories



#### Product family benefits

- Suitable for small standalone DALI installations
- Enable dimmable retrofit for drop ceiling applications
- Suitable to power DEXAL sensor and RF modules
- Suitable for applications, where no DEXAL driver is available
- Suitable for DC operation 176...276 V

#### Product family features

- DALI Bus power supply up to 100 mA
- Supply voltage: 220...240 V
- Short-circuit, overload and overtemperature protection
- Push terminals for easy wiring
- Compact size: 108 x 30 x 21 mm

# Product datasheet

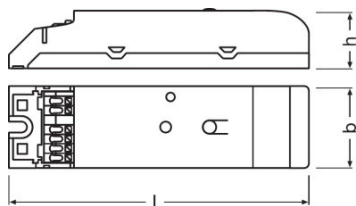
## Technical data

### Electrical data

Nominal voltage	220...240 V
Mains frequency	50/60 Hz
System wattage	3.00 W
Input voltage DC	176...276 V
Input voltage AC	198...264 V
Guaranteed supply current (DALI)	100 mA <sup>1)</sup>
No-load power consumption	0.1 W
Maximum supply current (DALI)	250 mA <sup>1)</sup>

<sup>1)</sup> see product remarks

### Dimensions & weight



Length	108.0 mm
Width	30.0 mm
Height	21.0 mm
Product weight	41.00 g
Wire preparation length, output side	8.0...9.0 mm
Wire preparation length, input side	8.0...9.0 mm
Cable cross-section, output side	0.5...1.5 mm <sup>2</sup> <sup>1)</sup>
Cable cross-section, input side	0.5...1.5 mm <sup>2</sup> <sup>1)</sup>

<sup>1)</sup> Flexible / Solid leads

### Temperatures & operating conditions

Ambient temperature range	-30...+60 °C
Max.housing temperature in case of fault	100 °C
Maximum temperature at tc test point	70 °C
Temperature range at storage	-25...80 °C

## Product datasheet

### Lifespan

<b>Lifespan</b>	50000 h <sup>1)</sup>
-----------------	-----------------------

<sup>1)</sup> Max. 10% failure rate at tc max and input voltage 230 V AC

### Additional product data

<b>Product remark</b>	This DALI Bus power Supply is not allowed to be connected with other DALI Bus power supplies on the same line.
-----------------------	----------------------------------------------------------------------------------------------------------------

### Capabilities

<b>Dimmable</b>	No
<b>Dimming interface</b>	DALI <sup>1)</sup>
<b>Type of installation</b>	Luminaire integration/Independent mounting <sup>2)</sup>

<sup>1)</sup> Basic Insulation

<sup>2)</sup> independent installation via ECO CI KIT possible

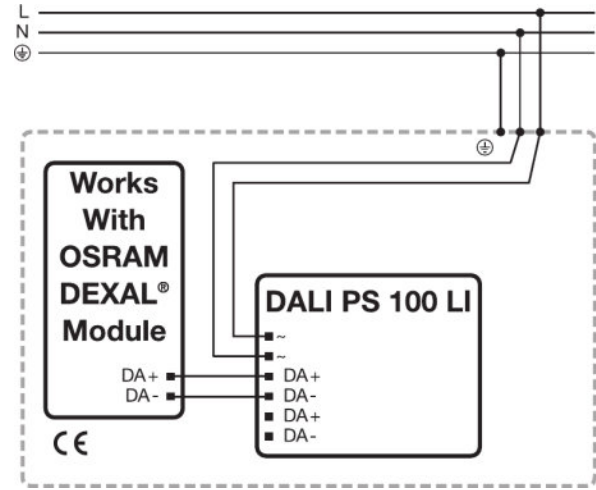
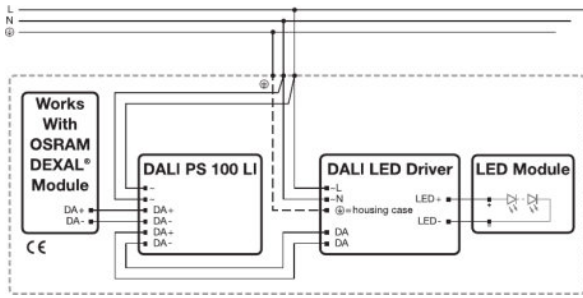
### Certificates & standards

<b>Type of protection</b>	IP20
<b>Approval marks – approval</b>	CE / DALI-2
<b>Standards</b>	Acc. to IEC 61347-1 / Acc. to IEC 61547 / Acc. to IEC 55015 / Acc. to IEC 61000-3-2 / Acc. to IEC 61000-3-3 / Acc. to IEC 62386-101:Ed2 / Acc. to IEC 61347-2-11

### Logistical data

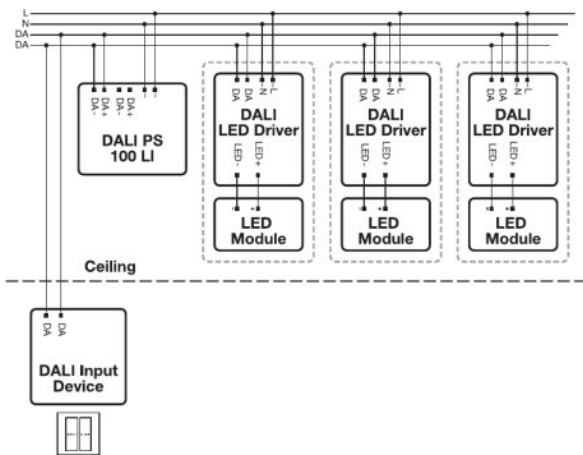
<b>Commodity code</b>	853710989900
-----------------------	--------------

Wiring Diagram



Wiring diagram

Wiring diagram



Wiring diagram




## Product datasheet

---

### Equipment / Accessories

- Ceiling or independent installation via ECO CI KIT possible
- 

### Download Data

File	
	User instruction DALI PS 100 LI
	Declarations of conformity EU Declaration of Conformity DALI PS 100 LI-3672418-EN-00
	CAD data 3-dim DALI PS 100 LI Assembly Drawing

---

### Logistical Data

Product code	Product description	Packaging unit (Pieces/Unit)	Dimensions (length x width x height)	Volume	Gross weight
4052899583221	DALI PS 100 LI	Shipping carton box 25	223 mm x 197 mm x 179 mm	7.86 dm <sup>3</sup>	1787.00 g

---

The mentioned product code describes the smallest quantity unit which can be ordered. One shipping unit can contain one or more single products. When placing an order, for the quantity please enter single or multiples of a shipping unit.

---

### Disclaimer

Subject to change without notice. Errors and omission excepted. Always make sure to use the most recent release.

---