

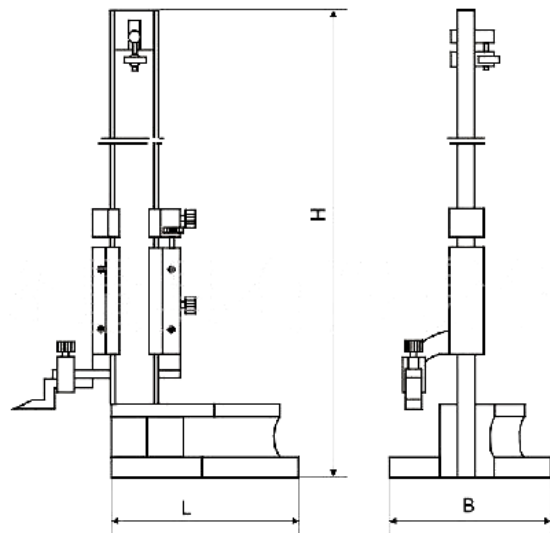
705-1250

**Description:** Vernier Height Gauge

**Specification:** 0-600mm/24"

**Resolution:** 0.02mm/0.001"

**Accuracy:**  $\pm 0.06\text{mm}$



L=180mm B=120mm H=871MM

- Made of stainless steel
- With magnifier reading glass, can help to vernier to read that the number obtain
- The main ruler is adjustable, adjustable opposite zero:00 Of stanza
- With fine adjustment, make the small adjustment convenient
- Carbide tipped scribe
- Can make choice of purchase to revolve tightly solid device, tightly solid more convenient (order note)