

APPLICATION NOTE



Negative input resistance of switching regulators

Why a negative sign can result in puzzled looks and set the input of a switching regulator in oscillation

1. Introduction

Developers of switching regulators and switch mode power supplies attach great importance to the efficiency of their circuits. However, at the end of their development phase, they encounter unpleasant effects such as unwanted oscillations at the input of the switching regulator and these although the switching regulator produces a constant output voltage under all conditions. But why does the input of the switching regulator tend to oscillation under certain circumstances?

2. Main part

A switching regulator can achieve efficiency of more than 90%; however, the efficiency for conventional switching regulators is usually a lot lower. For high efficiency, we can assume almost loss-free power conversion so that the following approximately applies:

$$P_{In} \approx P_{Out}$$

However, let us assume that a switching regulator does not produce any power loss and the input power equals the output power, the following applies for the performance ratio:

$$P_{In} = P_{Out}$$

Any switching regulator design requires that the output voltage is constant in every operating mode and, even in the event of abrupt load change, quickly regains its setpoint without being set in oscillation. Thus, only any change of the voltage on the input side is permitted. However, a constant power ratio between input and output results in the input current of the switching regulator dropping in the event of any rise of the input voltage; ergo, the input current rises when the input voltage drops. This effect is based on the so-called "**Negative input resistance**". Figure 1 illustrates this effect.

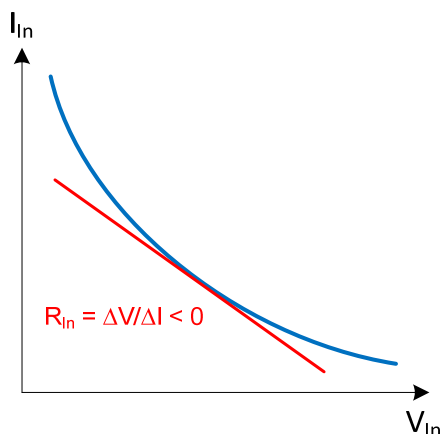


Figure 1: Voltage / current curve at the input of the switching regulator

This effect is not initially apparent. It is also not expected because the current usually rises proportionally with the voltage.

$I \sim V$ if R is constant

In any case, Ohm's Law describes the behaviour of a linear resistance. If a simple voltage divider made of ideal resistors is considered, its output voltage rises when its input voltage is increased. This is illustrated in Figure 2.

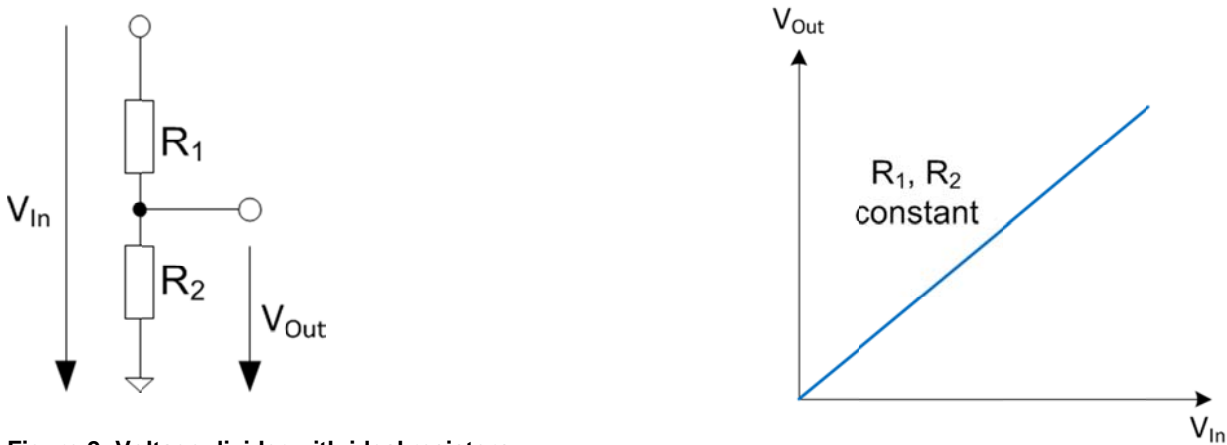


Figure 2: Voltage divider with ideal resistors

However, in our case, the input resistance of a switching regulator is not linear but very **non-linear** and also negative. Figure 1 makes this clear. For further illustration, we would like to consider a voltage divider which is not constructed from two ideal resistors but from one voltage source with defined internal resistance and a switching regulator with negative resistance. Figure 3 shows such a voltage divider. A basic design of the switching regulator and its components is not further required here for the closer consideration.

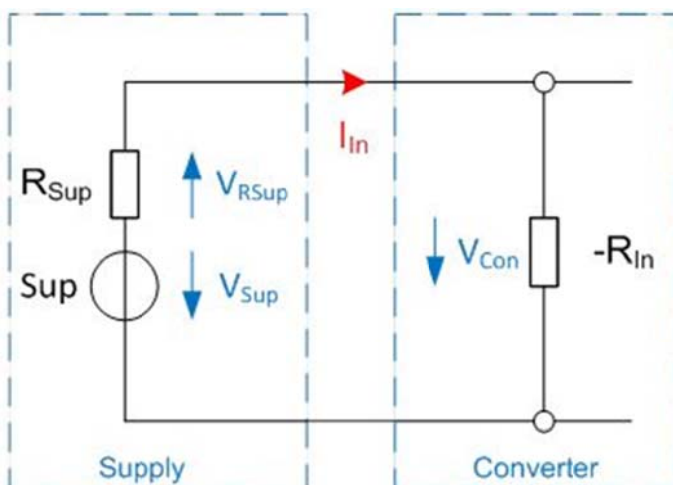


Figure 3: Voltage divider consisting of voltage source and negative resistance

APPLICATION NOTE



Negative input resistance of switching regulators

If the voltage " V_{Sup} " of the source increases, the current " I_{In} " drops and consequently the voltage drop " V_{RSup} " at the internal resistance of the voltage source. However, the voltage at the switching regulator input increases. The input voltage of the switching regulator is reduced by the voltage drop at the internal resistance of the voltage source. The following approximately applies:

$$V_{\text{Con}} = V_{\text{Sup}} - V_{\text{RSup}}$$

Electronic components such as electrical resistors do not occur in real life with negative values. The real input resistance of a switching regulator is also not negative, but **its behaviour during change of the input voltage**. Accordingly, this behaviour shows a negative resistance which is based on a mathematical origin.

If a tangent is applied to the voltage-current curve in Figure 1, its increase of the negative resistance can be determined at any operating point. This is "generally" defined by:

$$R_{\text{In}} = \Delta V_{\text{In}} / \Delta I_{\text{In}}$$

As the slope of the tangent is **negative in this case**, the input resistance of the switching regulator is negative!

$$R_{\text{In}} = \Delta V / \Delta I < 0$$

There is a dynamic behaviour with negative slope whose differential quotient can theoretically be used as base to determine the negative resistance as numeric value. The following example shows a calculation example for this

$$R_{\text{In}} = \Delta V_{\text{In}} / \Delta I_{\text{In}}$$

$$R_{\text{In}} = 10\text{V} - 8\text{V} / 0,5\text{A} - 0,625\text{A}$$

$$\underline{R_{\text{In}} = - 16 \text{ Ohm}}$$

Example 1: Determination of the negative resistance based on the differential quotient

However, in practice and diverse literature, the differential quotient is not determined but the stationary input resistance is considered. Dynamic behaviour is present and thus a different resistance value at each operating point. From a pure mathematical consideration, the stationary resistance is not negative. **It is now based on the fact that its dynamic behaviour is negative and it is calculated using a negative sign.** Using large signal analysis, the stationary resistance can be approximated with the following assumption and calculated as shown in Example 2.

$$P_{\text{In}} = V_{\text{In}} * I_{\text{In}}$$

$$5\text{W} = 8\text{V} * 0,625\text{A}$$

$$R = - V_{\text{In}} / I_{\text{In}}$$

$$- 8\text{V} / 0,625\text{A}$$

$$\underline{R_{\text{In}} \text{ ist } < 0}$$

$$\underline{- 12,8 \text{ Ohm}}$$

Example 2: Calculation of the negative resistance in an operating point

If the input voltage is further increased, the negative resistance rises. This should be illustrated by the following example.

$$P_{In} = V_{In} * I_{In} \quad 5W = 10V * 0,5A$$

$$R = - V_{In} / I_{In} \quad - 10V / 0,5A$$

$$\underline{R_{In,ist} < 0} \quad \underline{- 20 Ohm}$$

Example 3: Increase of the negative input resistance when the input voltage increases

However, the negative resistance is not a persistent state, but only occurs during a short-term change – a transient – at the input of the switching regulator. Once the original operating state is reached again, the negative resistance is no longer representative. However, a transient, in combination with the negative input resistance, is sufficient to put the input of a switching regulator in oscillation.

A pulsed current flows in the input circuit of the switching regulator; this current should be suppressed to prevent conducted emission interference. Therefore, an additional input filter is placed before the switching regulator input in practice. Figure 4 shows such an arrangement.

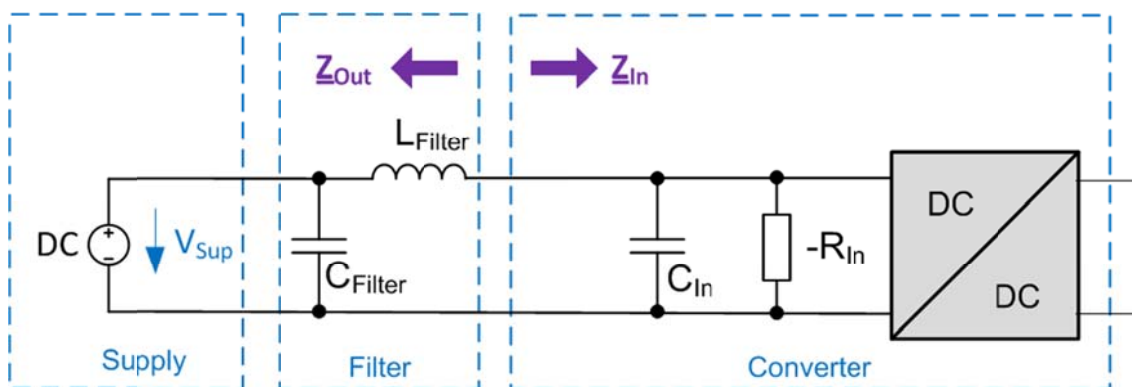


Figure 4: Simplified arrangement of a switching regulator with input filter

Figure 4 should show the input impedance Z_{In} of the switching regulator which is formed by the input capacitor C_{In} and the negative input resistance $-R_{In}$. The input filter, which can be realised for example using a WE-PD2 or WE-TID filter coil from Würth Elektronik, forms a series resonant circuit with the output impedance Z_{Out} in the direction of the switching regulator input. The input filter is parallel to the input capacitor C_{In} and the negative input resistance $-R_{In}$ and can result in oscillation of the input circuit at resonance frequency. However, if a small signal analysis is performed, the voltage source at high frequencies presents a short circuit whereby the filter capacitor is short-circuited resulting in only the filter coil still being considered. A high quality coil is usually selected as filter coil.

Figure 5 shows the impedance curve of the inductance and the resulting output impedance of the filter which clearly shows its maximum impedance at its natural resonance.

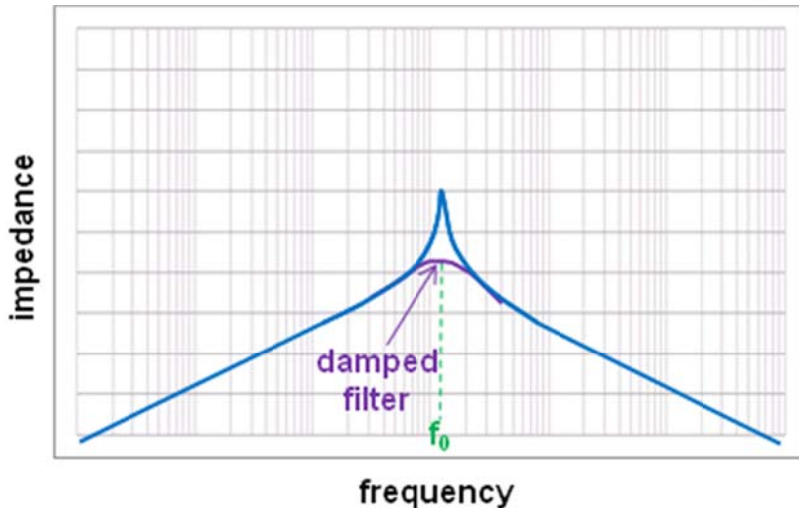


Figure 5: Impedance curve of the input filter at resonance frequency

The output impedance of the filter is at its highest at resonance frequency and conflicts with the input impedance Z_{in} of the switching regulator. To prevent any oscillation, it is recommended to attenuate the filter as shown in Figure 5 to reduce the impedance during resonance. Therefore, a design tip is to keep the output impedance of the filter much lower than the input impedance of the switching regulator.

$$Z_{Out} \ll Z_{In}$$

Ceramic capacitors are often used in the input circuit; however this results all the more in oscillation of the filter as ceramic capacitors have negligibly small ESR. This increases the quality of the filter. Reduction of the quality could theoretically be realised by a parallel circuit of resistors; however this is not a practical solution. It is therefore recommended as a design tip to use electrolyte capacitors here which have relatively large ESR. A large ESR can sufficiently reduce the quality of the input filter whereby the input filter is attenuated and oscillation at the switching controller input is prevented.

3. Summary

After extensive examination of the "negative" resistance, we come to the understanding that the sign is based on a behaviour which can be attributed to the drop of the input current during increase of the input voltage of a switching regulator – transients. Due to the conducted interference, an input filter is absolutely required; however it should be attenuated so that the negative resistance is overcompensated and further prevents any oscillation. Finally, it is recommended not to use ceramic capacitors and to use electrolyte capacitors to prevent unwanted oscillations at the switching regulator input.

4. Literature

Würth Elektronik eiSos GmbH & Co. KG "Trilogy of Inductors", Application manual for EMC filters, pulsed power supplies and HF circuits, 4th extended and revised edition, Dr. Thomas Brander, Alexander Gerfer, Bernhard Rall, Heinz Zenkner.

APPLICATION NOTE



Negative input resistance of switching regulators

IMPORTANT NOTICE

Würth Elektronik eiSos GmbH & Co. KG and its subsidiaries and affiliates (WE) assume no liability for application assistance of any kind. Customers may use WE's assistance and product recommendations for their applications and design. The responsibility for the applicability and use of WE Products in a particular customer design is always solely within the authority of the customer. Due to this fact it is up to the customer to evaluate, where appropriate to investigate and decide whether the device with the specific product characteristics described in the product specification is valid and suitable for the respective customer application or not.

Customers are cautioned to verify that data sheets are current. The current data sheets can be downloaded at www.we-online.com. Customers shall strictly observe any product-specific notes, cautions and warnings. WE reserve the right to make corrections, modifications, enhancements, improvements, and other changes to its products and services.

WE does not warrant or represent that any license, either express or implied, is granted under any patent right, copyright, mask work right, or other intellectual property right relating to any combination, machine, or process in which WE products or services are used. Information published by WE regarding third-party products or services does not constitute a license from WE to use such products or services or a warranty or endorsement thereof.

WE products are not authorized for use in safety-critical applications (such as life support). It has to be clearly pointed out that the possibility of a malfunction of electronic components or failure before the end of the usual lifetime cannot be completely eliminated in the current state of the art, even if the products are operated within the range of the specifications. In certain customer applications requiring a very high level of safety and in which the malfunction or failure of an electronic component could endanger human life or health Customers must ensure that they have all necessary expertise in the safety and regulatory ramifications of their applications, and acknowledge and agree that they are solely responsible for all legal, regulatory and safety-related requirements concerning their products and any use of WE products in such safety-critical applications, notwithstanding any applications-related information or support that may be provided by WE. Further, Customers shall fully indemnify WE against any damages arising out of the use of WE products in such safety-critical applications. WE products are neither designed nor intended for use in automotive applications or environments unless the specific WE products are designated by WE as compliant with ISO/TS 16949 requirements. Customers acknowledge and agree that, if they use any non-designated products in automotive applications, WE will not be responsible for any failure to meet such requirements.

USEFULL LINKS

Application Notes: <http://www.we-online.com/applicationnotes>
Component Selector: <http://www.we-online.com/component-selector>
Toolbox: <http://www.we-online.com/toolbox>
Product Catalog: <http://katalog.we-online.de/en/pbs/search>

CONTACT INFORMATION

Würth Elektronik eiSos GmbH & Co. KG, Max-Eyth-str. 1, 74638 Waldenburg, Germany

Author: Stefan Klein, Application Engineer, +49 7942 945 5845, stefan.klein@we-online.com

For more information, please visit: <http://www.we-online.com>

Würth Elektronik eiSos GmbH & Co. KG Sitz Waldenburg, Registergericht Stuttgart HRA580801
Komplementär Würth Elektronik eiSos Verwaltungs-GmbH, Sitz Waldenburg, Registergericht Stuttgart HRB 581033 . Geschäftsführer Oliver Konz, Thomas Schrott
Bankverbindungen UniCredit Bank AG Stuttgart, konto 322 620 136, BLZ 600 202 90, IBAN DE86 6002 0290 0322 6201 36, SWIFT/BIC HYVEDEMM473
USt.-IdNr. DE220618976