



22MM METAL ROUND ACTUATOR: PUSH-PULL BUTTON  
40MM LATCHING W.PULL-TO-UNLOCK MECH. WITH  
HOLDER RED

Actuator:		
Design of the operating mechanism		push-pull button, Ø 40 mm
Shape / of the activation element		round
Manner of function / of the activation element		Yes No
<ul style="list-style-type: none"> <li>• arresting lock</li> <li>• tentative</li> </ul>		Yes No
Outer diameter / of the activation element	mm	40
Material / of the activation element		plastic

Button:		
Design of the button		raised
Color / of the button		red

Front ring:		
Material / of the front ring		metal
Color / of the front ring		silver

General technical details:		
Design of the product		Ø 40 mm
Number of control points		1
Number of indicator lights / installable		0

<b>Number of switching positions</b>		2
<b>Product extension / optional / fluorescent materials</b>		No
<b>Product function / emergency-OFF function</b>		No
<b>Type of unlocking device</b>		pull-to-unlatch mechanism
<b>Resistance against shock</b> • for devices without incandescent lamp / according to IEC 60068-2-27		<= 50g
<b>Operating cycles / maximum</b>	1/h	1,000
<b>Resistance against vibration / according to IEC 60068-2-6</b>		20 ... 200 Hz: 5g
<b>Mechanical operating cycles as operating time / typical</b>		300,000
<b>Item designation</b> • according to DIN 40719 extendable after IEC 204-2 / according to IEC 750 • according to DIN EN 61346-2		S  S

#### Auxiliary Contacts:

<b>Number of NC contacts / for auxiliary contact</b>		0
<b>Number of NO contacts / for auxiliary contact</b>		0
<b>Number of change-over switches / for auxiliary contact</b>		0

#### Installation/mounting/dimensions:

<b>Product component / front ring</b>		Yes
<b>Material / of the housing</b>		metal
<b>Type of mounting</b>		front mounting
<b>Installation width</b>	mm	22
<b>Shape / of the installation hole</b>		round
<b>Mounting diameter</b>	mm	22
<b>Height</b>	mm	40
<b>Width</b>	mm	40
<b>Depth</b>	mm	53.5
<b>Tightening torque / of the screws in the holder / maximum</b>	N·m	1

#### Ambient conditions:

<b>Ambient temperature</b> • during the operating phase • during storage	°C	70 ... -25 °C -40 ... 80
<b>Protection class IP</b>		IP67
<b>Climatic class / according to DIN EN ISO 6270-2</b>		KTW24

#### Certificates/approvals:

## General Product Approval



[ROSTEST](#)



## Test Certificates

[Manufacturer](#)

## Shipping Approval

[ABS](#)



[PRS](#)



## other

[Manufacturer](#)

## Further information:

### Information- and Downloadcenter (Catalogs, Brochures,...)

<http://www.siemens.com/industrial-controls/catalogs>

### Industry Mall (Online ordering system)

<http://www.siemens.com/industrial-controls/mall>

### CAX-Online-Generator

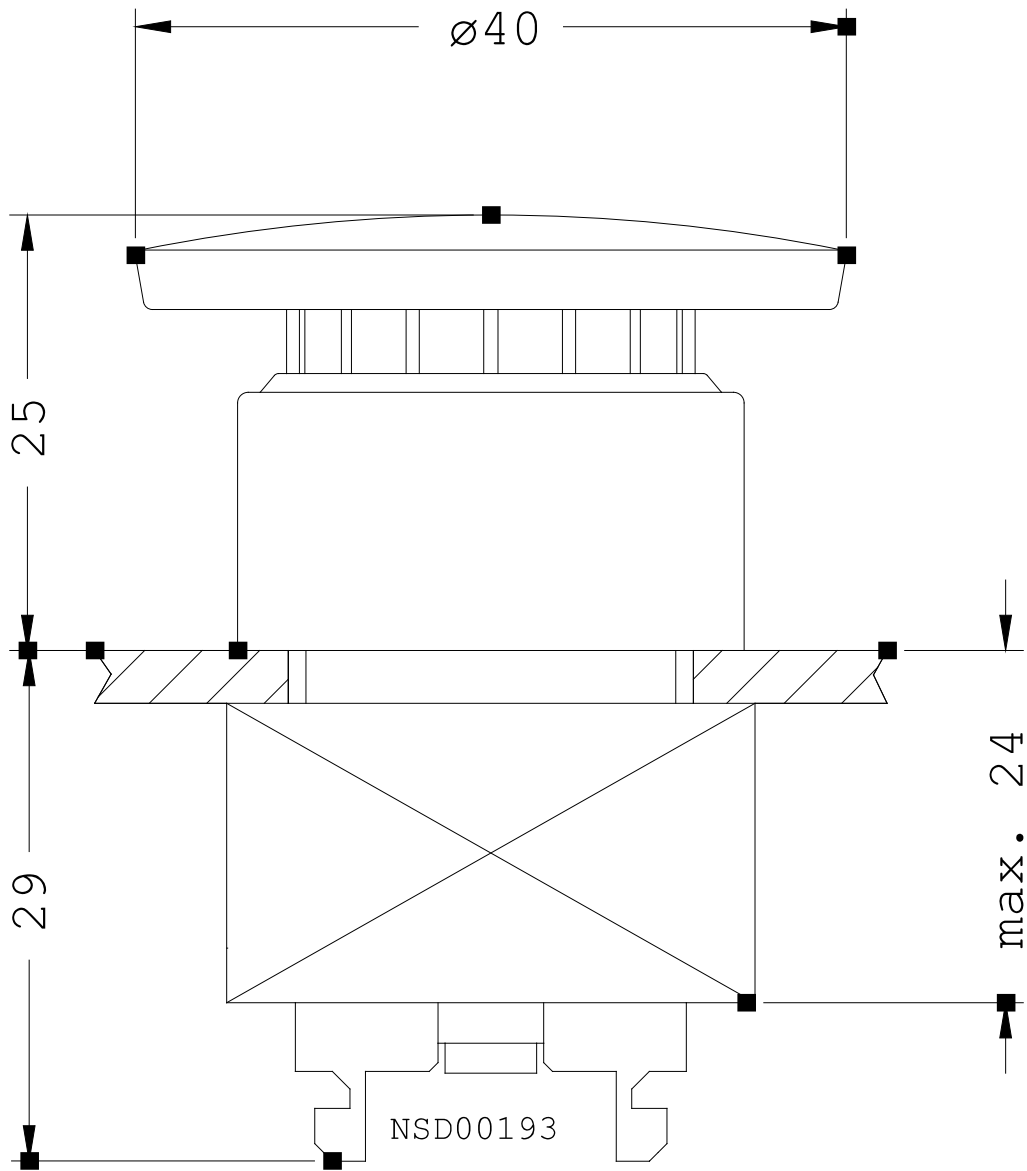
<http://www.siemens.com/cax>

### Service&Support (Manuals, Certificates, Characteristics, FAQs,...)

<http://support.automation.siemens.com/WW/view/en/3SB3500-1CA21/all>

### Image database (product images, 2D dimension drawings, 3D models, device circuit diagrams, ...)

[http://www.automation.siemens.com/bilddb/cax\\_en.aspx?mlfb=3SB3500-1CA21](http://www.automation.siemens.com/bilddb/cax_en.aspx?mlfb=3SB3500-1CA21)



last change:

Sep 6, 2010