


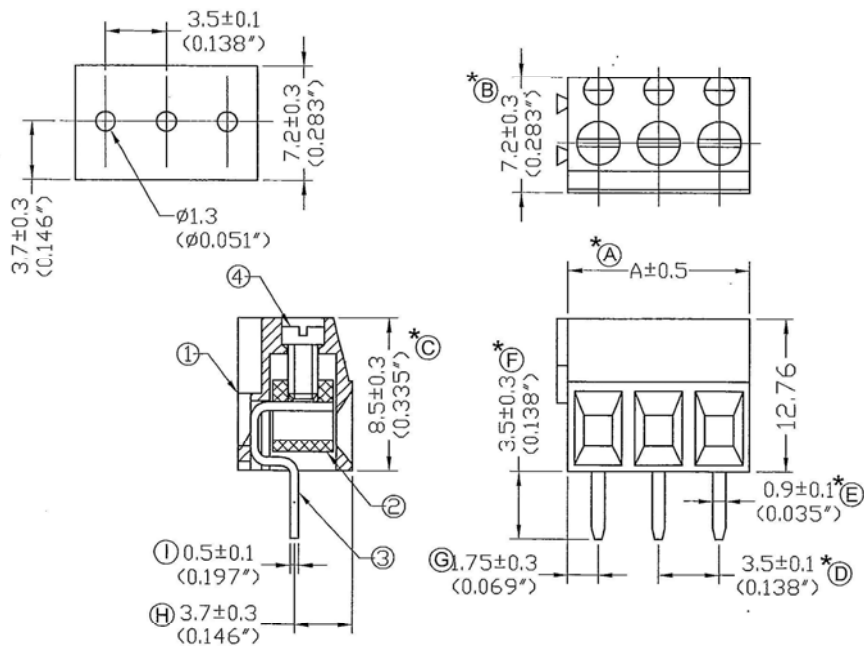
2 to 3 way PCB terminal block 3.5mm

Type No. : MB332-350M

Order No. : MB332-350MxxSZ

RoHS Compliant 

PCB Layout



Pitch : 3.50mm(0.138inch)

Poles	A(mm)	A(inch)	Poles	A(mm)	A(inch)
2	7.00	0.276	15	52.50	2.067
3	10.50	0.413	16	56.00	2.205
4	14.00	0.551	17	59.50	2.343
5	17.50	0.689	18	63.00	2.480
6	21.00	0.827	19	66.50	2.618
7	24.50	0.965	20	70.00	2.756
8	28.00	1.102	21	73.50	2.894
9	31.50	1.240	22	77.00	3.031
10	35.00	1.378	23	80.50	3.169
11	38.50	1.516	24	84.00	3.307
12	42.00	1.654	25	87.50	3.445
13	45.50	1.791			
14	49.00	1.929			

Current rating : 10Amp AC300V
 Insulation withstands volt : AC2000V min
 Insulation resistance : >2000MΩ DC500V
 Operation temperature : -40°C to +105°C
 Wire strip length : 4mm~5mm
 Wire range : 16~26 AWG
 Screw torque : 1.5 lb-inch

文件管制
 MAR 20. 2012
 文管中心

CONFIRMED & ACCEPTED BY

	Material	Plating/Finish	Remark
1	Insulating body Polyamide 66(UL94V-0)		Green
2	Cage clamp Brass	Ni plated	
3	Terminal Brass	Tin plated	
4	Screw Steel	Zinc plated	

Order No.	MB332-350MxxSZ	VERSION	C	CONFIRMED BY	<i>Wu Wen</i>
SHEET OF	2/2	METRIC	MM	DRAWN BY	<i>S</i>
		DATE	2012/03/20	GENERAL MANAGER	<i>Wu Wen</i>

單據編號 : QR-0703-08 版次 : A版

