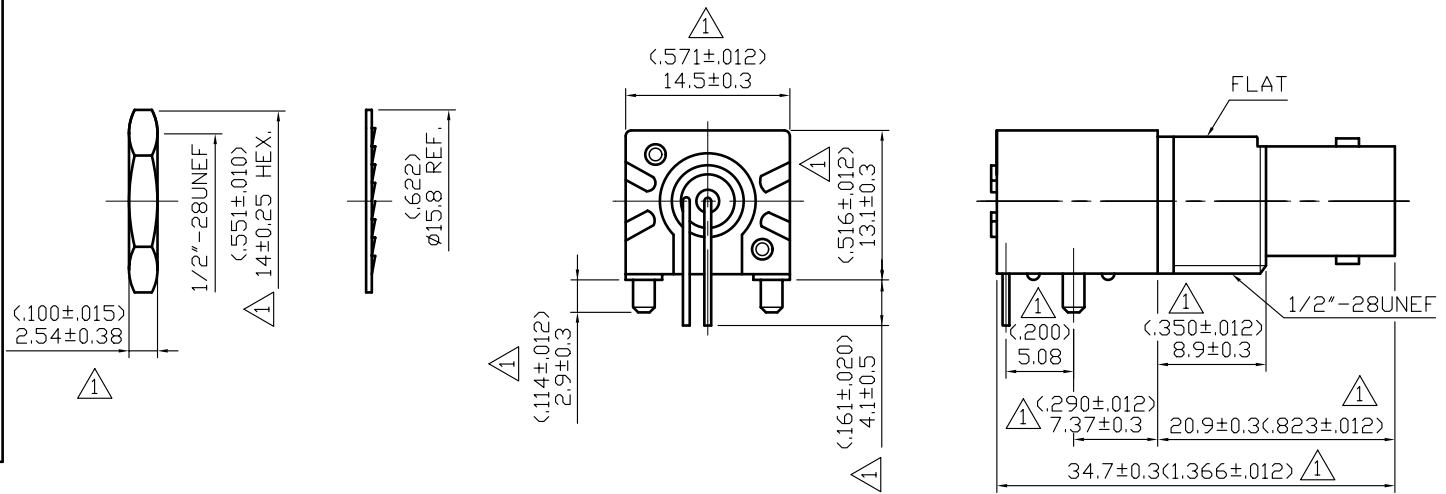


NO	DESCRIPTION	DATE
△	2.5 → 2.54±0.38 14.0 HEX. → 14±0.25 HEX. 2.85±0.38 → 2.9±0.3 14.5 REF. → 14.5±0.3 13±0.3 → 13.1±0.3 4±0.38 → 4.1±0.5 7.37±0.38 → 7.37±0.3 8.6 REF. → 8.9±0.3 20.8 REF. → 20.9±0.3 34.8 REF. → 34.7±0.3 Ø2.0X2 → Ø2.00X2 Ø0.9X2 → Ø0.90X2 DEL 6.9 REF. ; ADD 5.08 REF. 12.0 REF. → 11.7 Ø12.9 REF. → Ø12.83 0-4 GHz → 0-1 GHz DEL CONTACT RESISTANCE -55° C TO +85° C → -40° C TO +60° C DEL SALT SPRAY; HUMIDITY MIL-STD-1344,METHOD 1033,COND.A. → MIL-STD-202,METHOD 107,COND.B. MIL-STD-1344,METHOD 2004,COND.G. → MIL-STD-202,METHOD 204,COND.B. BODY → HOUSING MODIFICATION MATERIAL	04.17.09'



SPECIFICATIONS:

MECHANICAL CHARACTERISTICS:

MATING/UNMATING--500 CYCLES

ELECTRICAL CHARACTERISTICS:

NORMAL IMPEDANCE-- 50 OHMS

FREQUENCY RANGE-- 0-1 GHz △

TESTING VOLTAGE-- 500 VOLTS RMS

DIELECTRIC WITHSTANDING VOLTAGE-- 1500 VOLTS RMS

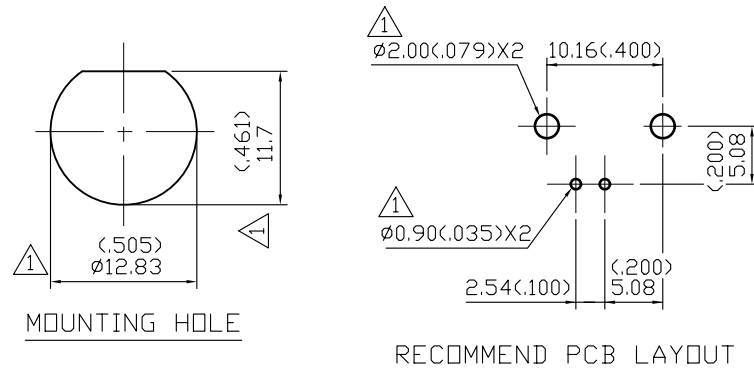
INSULATION RESISTANCE-- 5000 MEGOHMS MIN.

ENVIRONMENTAL CHARACTERISTICS:

TEMPERATURE RANGE-- -40° C TO +60° C △

THERMAL SHOCK-- MIL-STD-202,METHOD 107,COND.B. △

PHYSICAL SHOCK-- MIL-STD-202,METHOD 204,COND.B. △



APPROVED

by _____ DATE: _____

8	LOCK WASHER	S50C	1	NICKEL	△
7	NUT	BRASS	1	NICKEL	△
6	CENTER CONTACT	PHOSPHOROUS BRONZE WITH GOLD PLATING AT CONTACT AREA TIN PLATING AT TAIL	1	GOLD TIN	△
5	INSULATION	POLYPROPYLENE UL 94HB	1	NONE	△
4	SOLDER PIN	COPPER WIRE	1	TIN	△
3	BODY	ZINC ALLOY	1	NICKEL	△
2	HOUSING	PBT+15% G.F (UL 94 V-0)	1	BLACK	△
1	MOUNTING POST	BRASS	2	TIN	△
NO	DESCRIPTION	MATERIAL	Q'TY	FINISH	

DESCRIPTION		BNC RIGHT ANGLE PCB MOUNT JACK RECEPTACLE(VALOX HOUSING)							
製圖	DRAWN	TOLERANCE	品名	13-60-4	D.G.Z	日期	DATE	版次	REV.
	CHECK	.XX ±0.2	TITLE	\ROHS COMPLIANT (50Ω)		03.21.94'		B-1	
檢圖	CHECK	.XX ±0.1	單位	DWG.NO. 13-0272					
	APPROVAL	.XXX ±0.05	單位	mm(in)					
認定	ANGLE	±5°	比例	SCALE 2:1					
				5265858					