

# FLOJET

a xylem brand

## R4300143A

Self-Priming Quad  
Diaphragm Pump 12v dc

**CONNECTIONS:** 19mm (3/4") hose barb.

**PRESSURE SWITCH SETTINGS:**

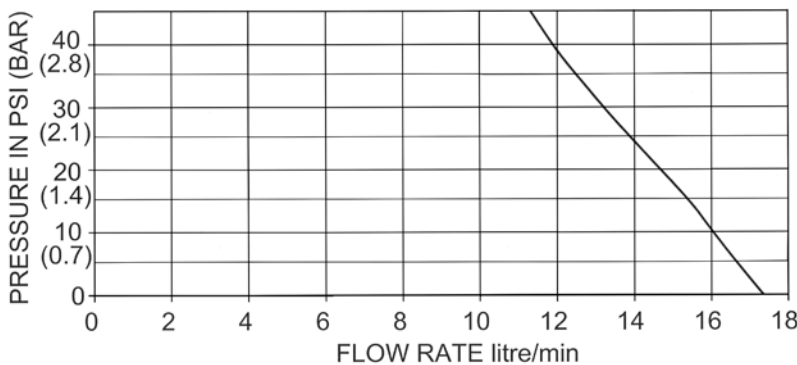
Cuts in at 2.0 bar (30 psi)  
Cuts out at 3.1 bar (45 psi)

**MATERIALS OF CONSTRUCTION:**

Pump head: Glass-filled Polypropylene  
Diaphragm: Santoprene®  
Valves: EPDM

**OUTPUT:**

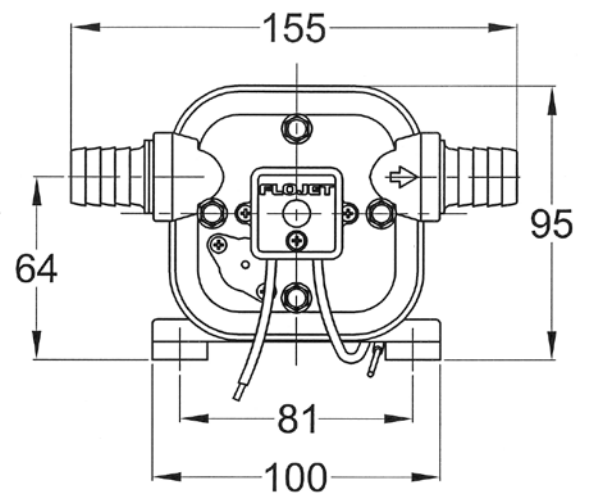
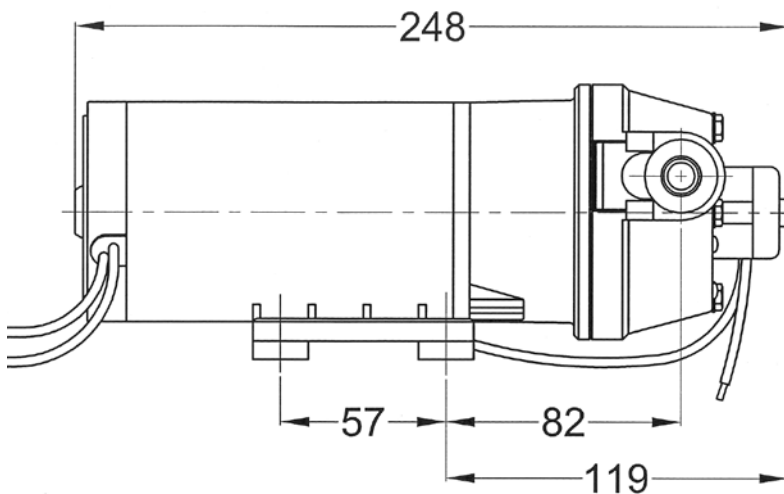
Up to 17 litres/minute (3.7 gallons/minute).



- ◆ Built-in pressure switch automatically starts and stops pump instantaneously when discharge valve is opened and closed.
- ◆ Compact design and plug-in port fittings make installation easy.
- ◆ Can run dry without damage and handle liquids up to 130°F (54C).
- ◆ Quad Diaphragm design eliminates troublesome shaft seal.
- ◆ No metal contact with liquid being pumped.
- ◆ Self-priming capability up to 1.5m. Pump may be located above the liquid level.
- ◆ Powerful, permanent magnet motor with low current draw and long life brushes

**FUSE SIZE:** 18 amp

**WEIGHT:** 2.7 Kg



Doc676/13