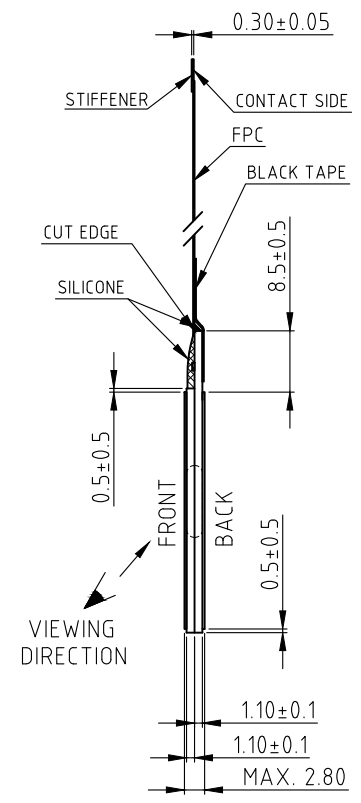
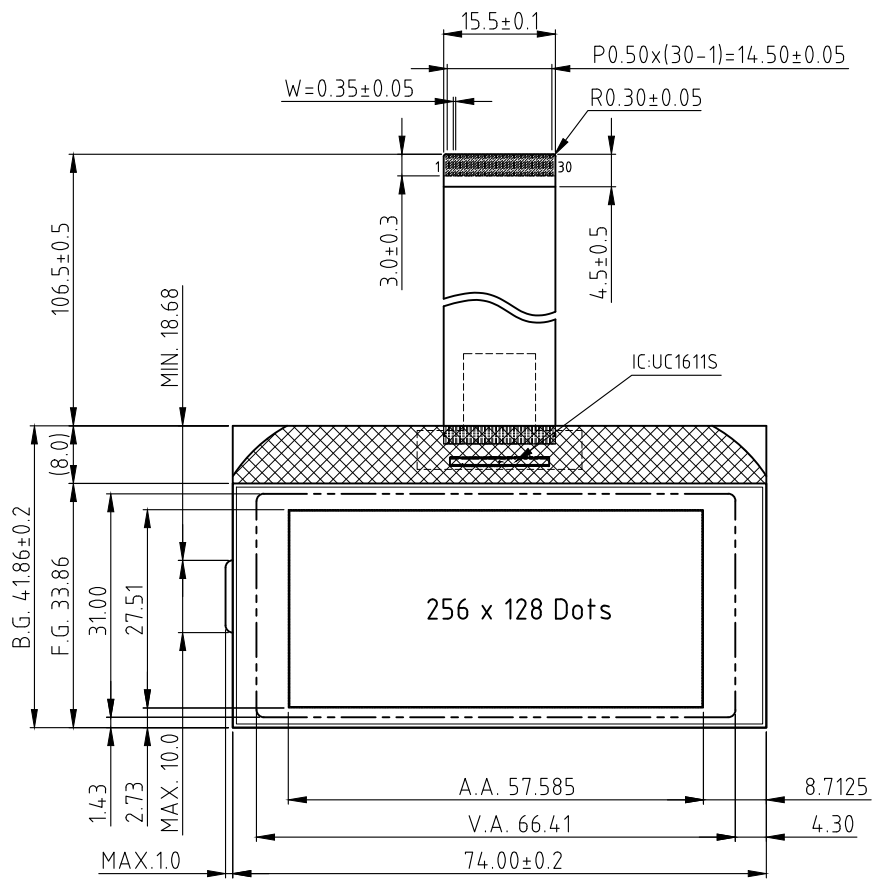


Rev:	Description:	Date:
A01	Revise LCD Mode	2016-DEC-12

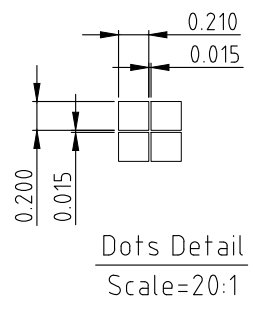


PIN ASSIGNMENT:

PIN	SYMBOL
1	NC
2	D15
3	D13
4	D7
5	D6
6	D5
7	D4
8	D3
9	D2
10	D1
11	D0
12	RST
13	CS0
14	CD
15	WR0
16	WR1
17	BM0
18	TST4
19	VSS
20	VDD
21	VLCD
22	VA0-
23	VA1-
24	VA1+
25	VA0+
26	VB0-
27	VB1-
28	VB1+
29	VB0+
30	NC

SPECIFICATIONS:

- 1) FSTN/+VE/B&W/REFLECTIVE MODE
- 2) 1/128 DUTY, 1/12 BIAS, VOP=15.5V(REF)
- 3) VIEWING ANGLE = 6 O'CLOCK
- 4) OP.TEMP.= -20°C TO +70°C
ST.TEMP.= -30°C TO +80°C
- 5) DRIVER: UC1611S, VDD=3.3V
- 6) RoHS COMPLIANT



Description: MECHANICAL SPECIFICATIONS			
Scale:			
Sheet : 1 of 1		Project Number Ci064-4073-21	
Unspecified Tol. ±0.3	Unit mm	Item Number	
Approvals:		 Projection	
Draw:			
Check:			
Approve:		Do Not Scale This Drawing	