

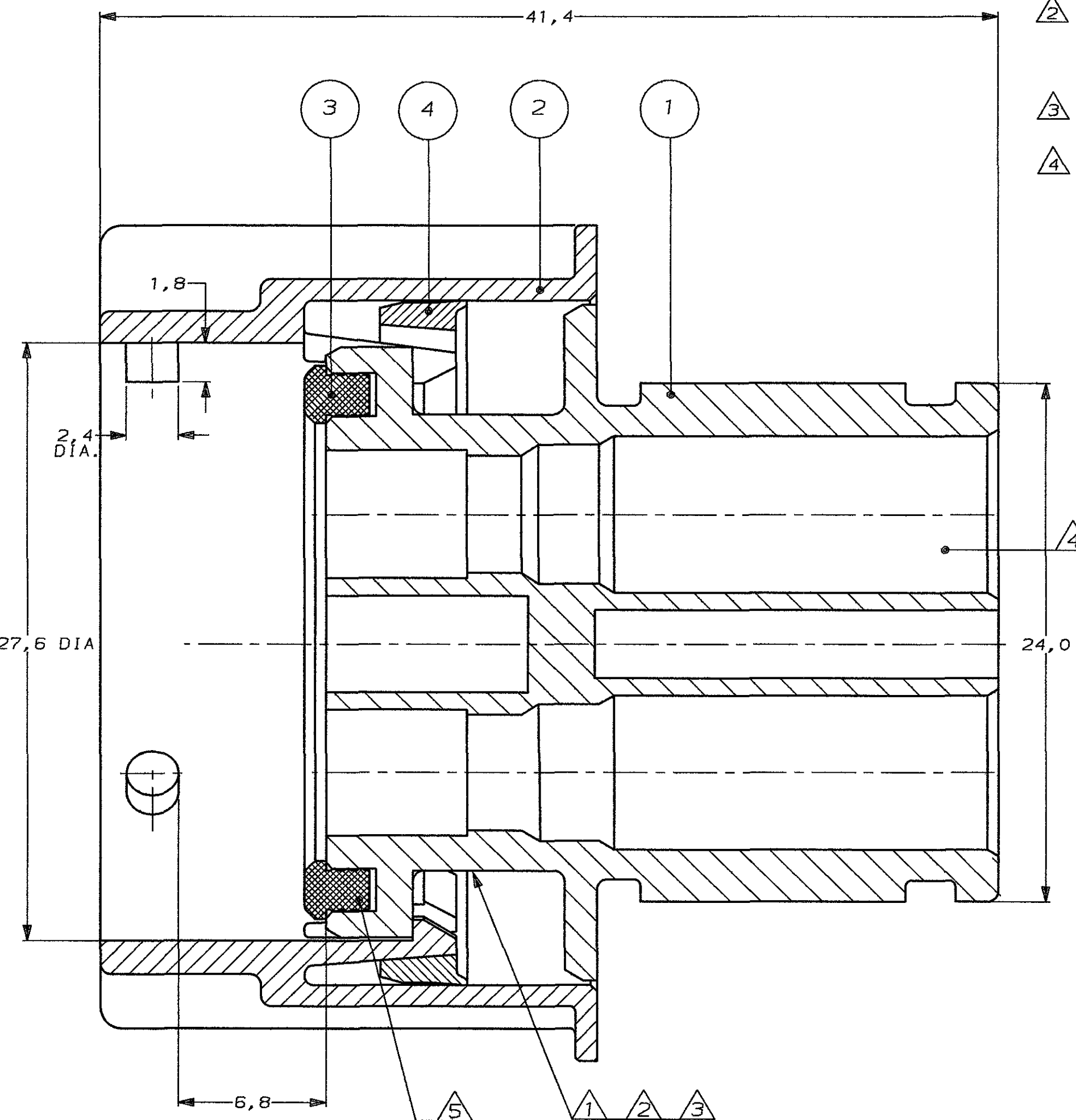
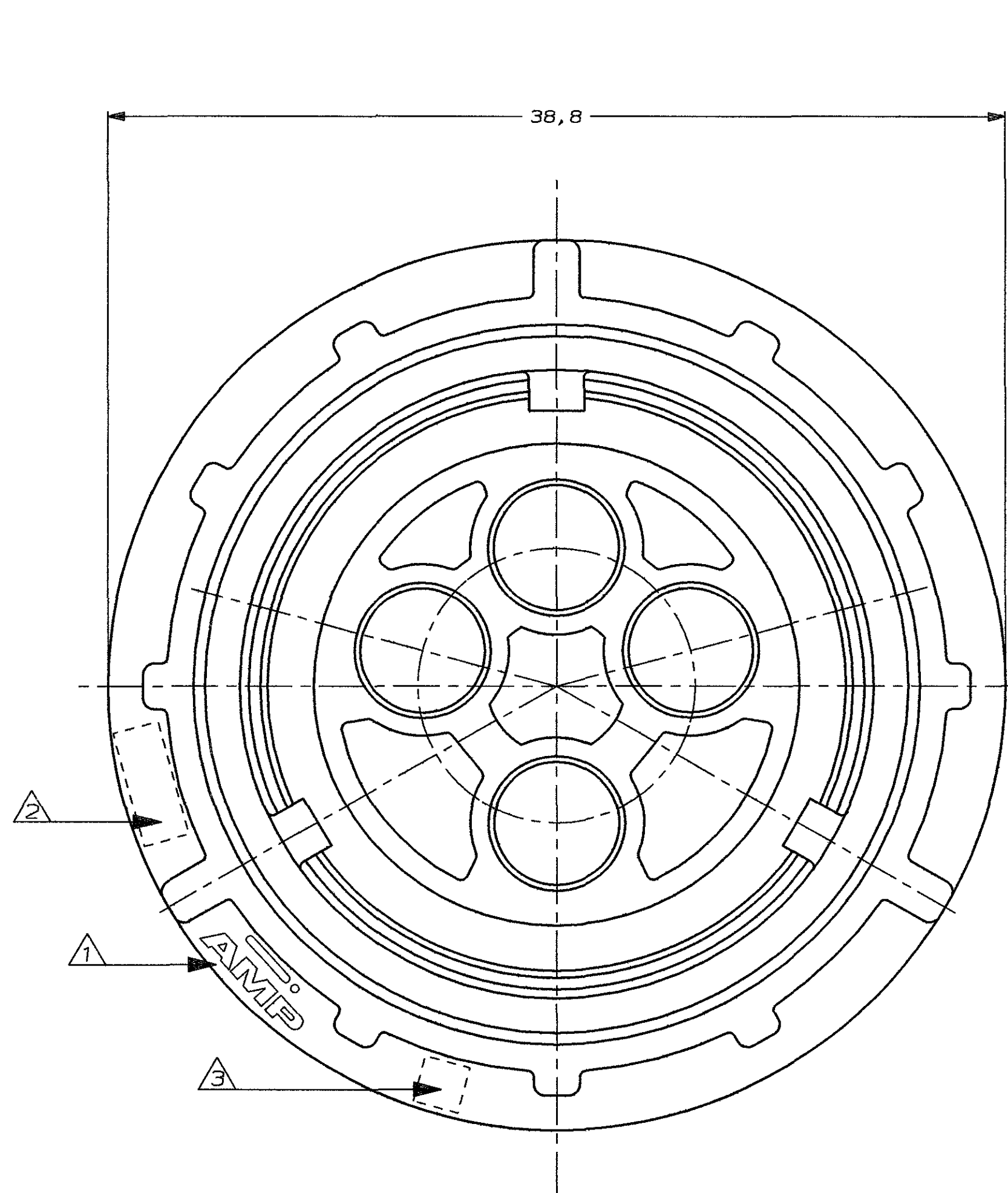
DO NOT SCALE
DIMENSIONS IN mm

METRIC

THIRD ANGLE
PROJECTION

NOTES:

- ① AMP-TRADEMARK PER SPEC.
- ② AMP-IDENTIFICATION NUMBER ACC. DIN 1451 MITTLESCHR. HEIGHT 1,2
- ③ AMP-MOLD IDENTIFICATION NUMBER
- ④ CAVITY FOR,
1 4mm. SOCKET CONTACT
WIRE SIZE 1-4mm²
SEE DRAWING NR.962954-1
NR.962956-1
2 SCAT SEE DRAWING NR.963243-1
NR.963244-1
3 CAVITY PLUG NR.100132-1
- ⑤ SEAL BONDED IN INSERT.



-1 AS SHOWN

MATERIAL	DESCRIPTION	PARTNUMBER	ITEM
PBT	LOCKING RING	100350-1	4
SILICON RUBBER	SEALING RING	100135-1	3
PBT	COUPLING RING	100129-1	2
PBT	4 POS HOUSING	100128-1	1

DESIGN APPROVED THIS PRINT IS
PRELIMINARY
TO FIRST PIECE APPROVAL
CONTACT PRODUCT ENGINEERING
BEFORE USING THIS PRINT

LTR.	REVISION RECORD	DR.	CHK.	DATE	DESCRIPTION
C	H-9765	LvdH	RotB	13 MAY '92	
B	H-8754	JvL	RotB	30-01-92	
A	H-8754	JvL	RotB	16-01-92	

DR.: J.v.LIEMPT. CHK.: R.o.t.BERG. APP.: L.v.SOEST. DWG.No. C-100201
DATE: 16 JAN. 1992 DATE: - DATE: -

FOR REFERENCE ONLY
WILL NOT BE UPDATED
© COPYRIGHT 19- BY AMP HOLLAND B.V.
ALL INTERNATIONAL RIGHTS RESERVED. AMP PRODUCTS MAY BE COVERED BY U.S. AND FOREIGN AND/OR PATENTS PENDING.
THIS DRAWING IS UNPUBLISHED
RELEASED FOR PUBLICATION

AMP AMP HOLLAND B.V.
's-Hertogenbosch, The Netherlands.

NAME: 4 POS. HOUSING ASSY
FOR 4mm FEMALE CONTACT

REV. LTR. SHEET
C 1 OF 1 A2