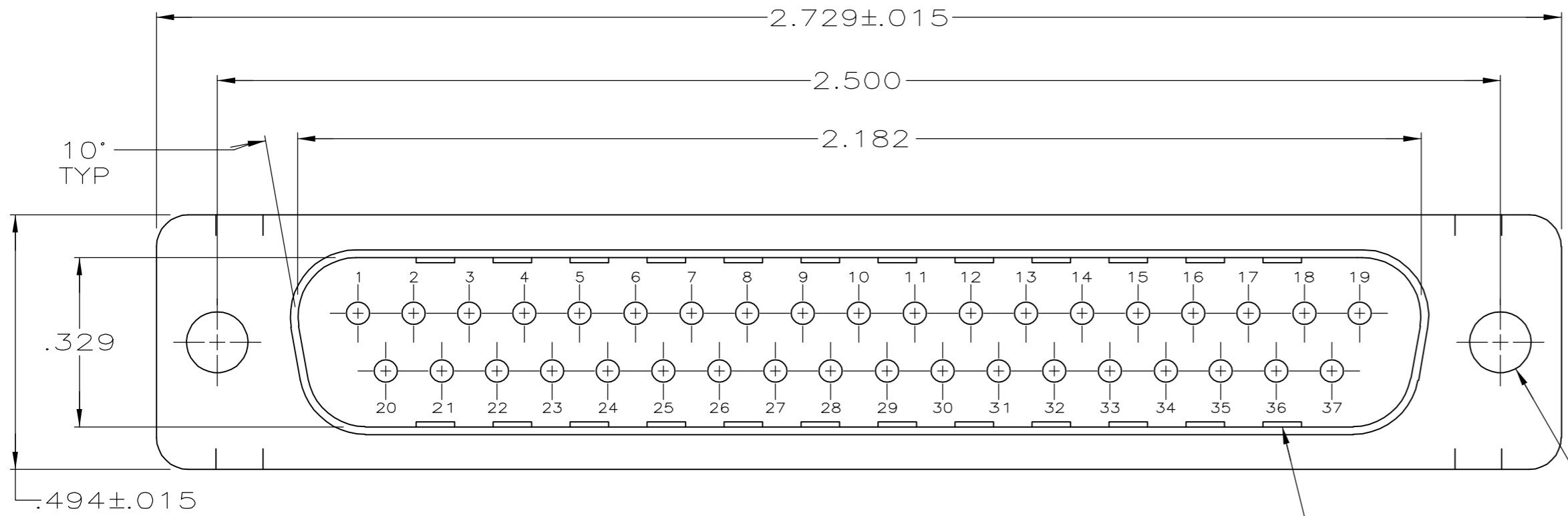


THIS DRAWING IS UNPUBLISHED. RELEASED FOR PUBLICATION
 © COPYRIGHT BY TYCO ELECTRONICS CORPORATION. ALL RIGHTS RESERVED.

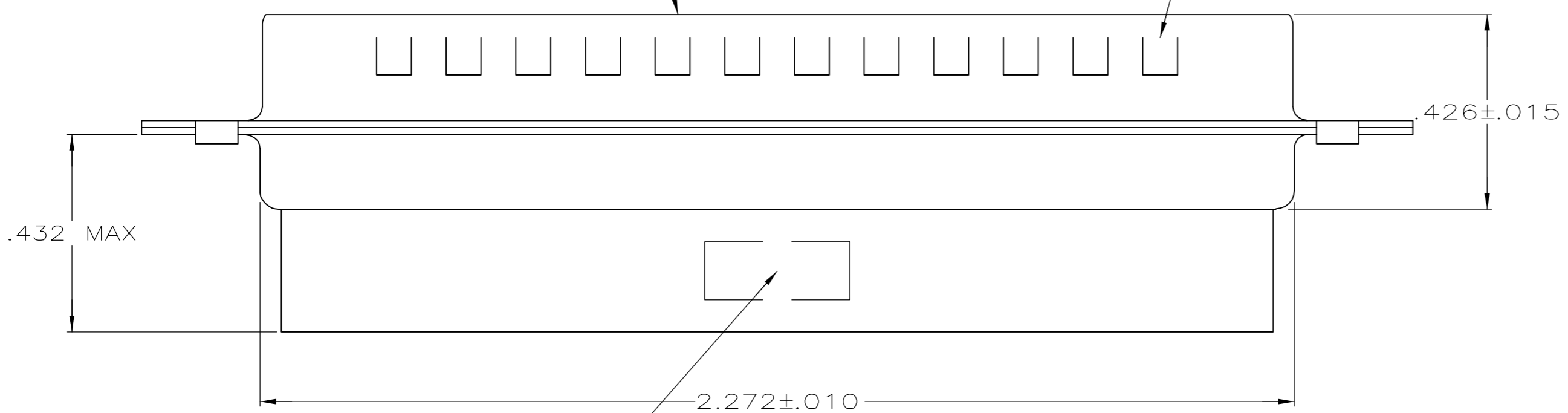
LOC	DIST	REVISIONS			
P	LTR	DESCRIPTION	DATE	DWN	APVD
GP	00	J1	REVISED PER ECO-06-020813	6/NOV/06	ZR CR



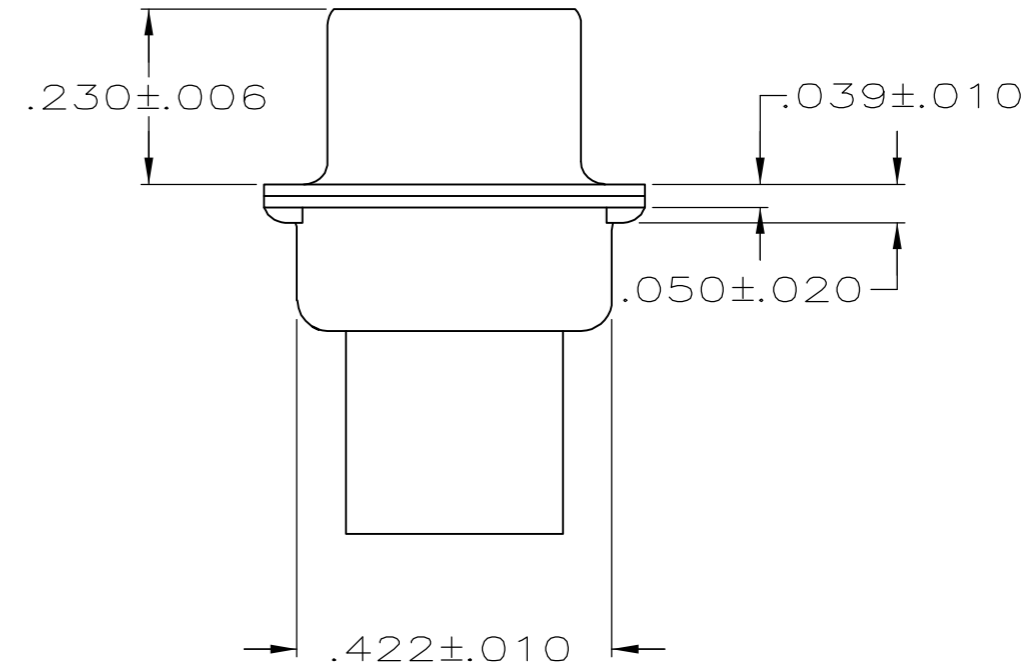
.120 DIA 2 HOLES

GROUNDING INDENTS SEE TABLE

MATING FACE



"AMP", PART NO. & DATE CODE, MARKED IN AREA INDICATED, ON FAR SIDE



- CONNECTOR ACCEPTS SIZE 20 DF PIN CONTACTS, RETENTION TINES ARE AN INTEGRAL PART OF INSERT.
- CONNECTOR COMPLIES WITH 108-40005 WHERE APPLICABLE.
- NYLON, FLAME RETARDANT, 94V-0 RATED, GLASS FILLED, BLACK.
- STEEL PER ASTM A109.
- ZINC PLATED PER ASTM B633; TYPE II; CLASS SC1; YELLOW CHROMATE.
- TIN OR TIN-LEAD PLATED OVER COPPER UNDERPLATE.
- TIN PLATED OVER COPPER UNDERPLATE.
- ZINC PLATED .000200-.000400 THICK, YELLOW TRIVALENT CHROMIUM CHROMATE COATING.

OBSCLETE	PACKAGING TYPE	SHELL FINISH	GROUNDING INDENTS	PART NUMBER
	STANDARD	8	NO	205210-8
	STANDARD	7	NO	205210-7
OBSCLETE	SMALL PACK	5	NO	205210-6
	STANDARD	7	YES	205210-3
OBSCLETE	STANDARD	6	NO	205210-2
OBSCLETE	STANDARD	5	NO	205210-1

THIS DRAWING IS A CONTROLLED DOCUMENT.

DIMENSIONS: INCHES	TOLERANCES UNLESS OTHERWISE SPECIFIED:	DWN S. WELDON 7-19-85	Tyco Electronics Corporation Harrisburg, PA 17105-3608
	0 PLC ± -	CHK J.GERACE 7-29-85	
	1 PLC ± -	APVD V.KUMAR 7-31-85	
	2 PLC ± 0.13 [.005]	NAME	
MATERIAL MOLDED PARTS: 3	FINISH SHELLS: SEE TABLE	APPLICATION SPEC	PLUG CONNECTOR, SIZE 4, 37 POSITION, AMPLIMIT™ HDP
		WEIGHT -	SIZE A2 CAGE CODE 00779 C=205210
		CUSTOMER DRAWING	RESTRICTED TO -
		SCALE 4:1	SHEET 1 of 1
		REV J1	

CUSTOMER DRAWING