

Fellowes.



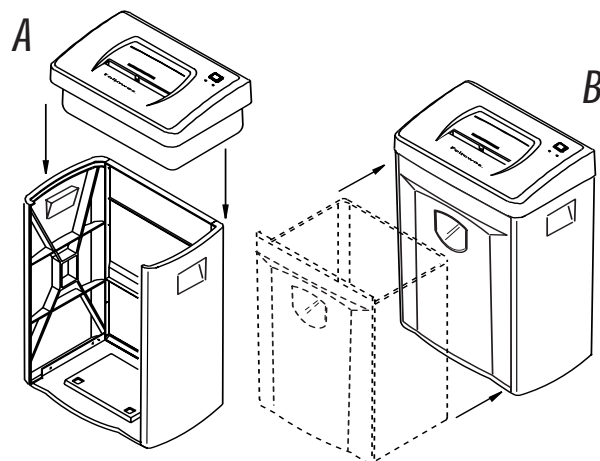
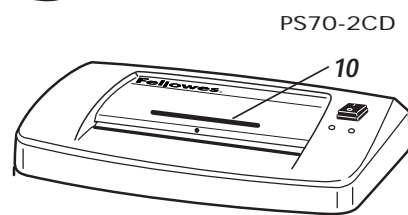
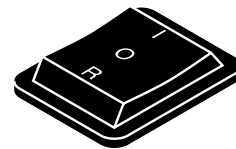
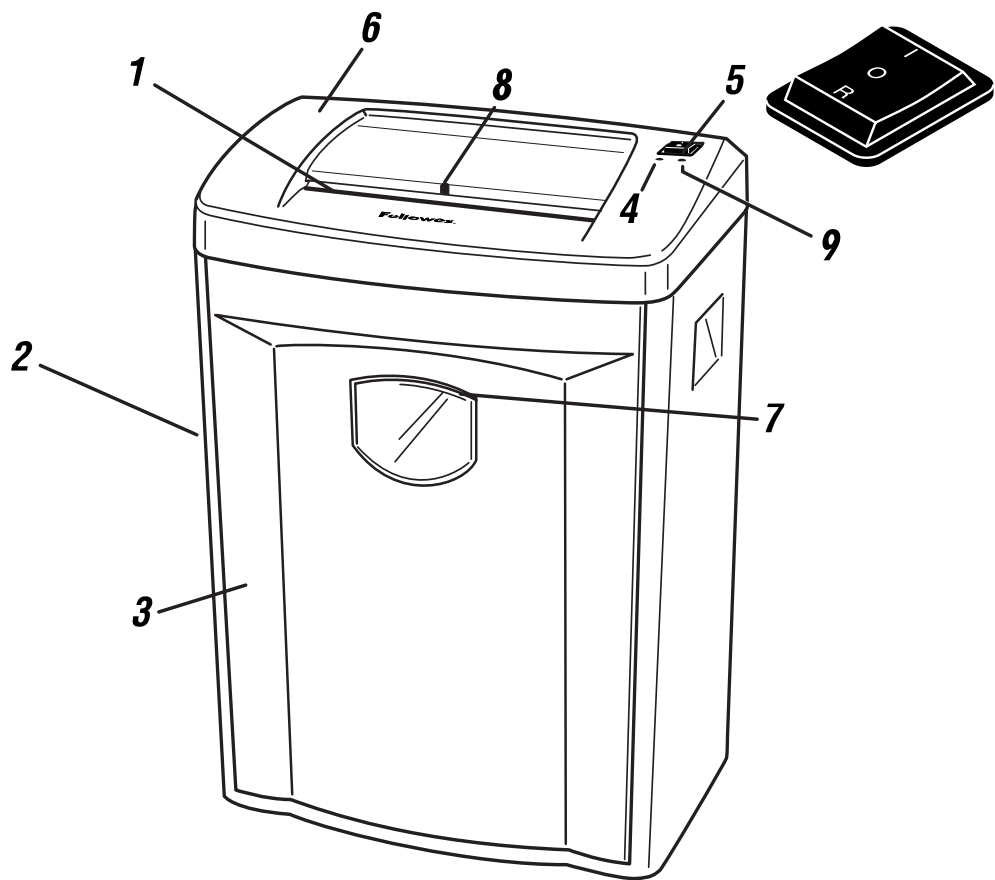
PS70-2, PS70-2CD, PS80C-2

ENGLISH

FRANÇAIS

ESPAÑOL

Get More Done Today™



Fellowes.

Dear Customer,

Thank you for buying a Fellowes Personal Shredder. We have made many improvements in our personal shredder since its introduction in 1990 as the first of its kind on the market.

We are confident that it offers you the greatest value for your money in its product category today. We hope it meets – or even exceeds – your expectations.

To ensure years of safe, efficient use, please read these few pages about your new shredder. If this manual doesn't answer all your questions or if you wish to comment on this product, we welcome your call or letter.

Sincerely,

*James Fellowes
Chairman & CEO*

Contents

Product Profile3
Important Safety Instructions3
Set-Up4
Operation4
Maintenance5
Troubleshooting5
Warranty6

Product Profile

This product is built to shred **paper, staples, small paper clips, credit cards, and CD's (PS70-2CD in CD entry only)**. It is *not* built to take large paper clips, continuous forms, adhesive labels, transparencies, newspaper, cardboard or any plastic other than credit cards. Using it for these purposes is likely to cause damage.



Model	PS80C-2	PS70-2CD	PS70-2
Type of Cut	Confetti	Strip	Strip
Sheet capacity*	10 sheets	15 sheets	12 sheets
CD capacity	N/A	1	N/A
Paper shred size	5/32 x 4/5" (3.9 x 20 mm)	7/32" (5.8 mm)	5/32" (3.9 mm)
Maximum paper width	9" (229 mm)	9" (229 mm)	9" (229 mm)
Recommended daily capacity (shredding passes)	50-100	50-100	50-100
Maximum running time (min.)	15-20	15-20	15-20
Automatic cool-down period (min.)	25	25	25

*Based on 20 lb., 8-1/2" x 11" paper with shredder operating at rated voltage; heavier paper, high humidity, or other than rated voltage may reduce sheet capacity.

This shredder is not designed to shred CDs continuously. Recommended daily capacity of CDs is 10-20

IMPORTANT SAFETY INSTRUCTIONS READ ALL INSTRUCTIONS BEFORE USING

While setting up shredder

- Check shredder for damage or defects; some paper particles in the basket are normal due to product testing and does not indicate a defect.
- Plug power cord in an outlet that can easily be reached.
- Do not place shredder near or over a heat or water source.

While operating shredder

- Keep hands and hanging objects (jewelry, ties, loose clothing, long hair, etc.) away from paper entry.
- Keep children and pets away from the shredder.



When not in use

- Always turn off and unplug shredder
- Unplug before emptying basket
- Do not open shredder head: Danger of electric shock.



NOTE: Do not use flammable synthetic oil, petroleum-based products or aerosols of any kind on or near product at any time.

Set-Up

This shredder will only operate when used with the supplied basket. The supplied basket has a built-in safety feature which prevents the shredder from operating if used with any other basket or if improperly assembled.

- Position shredder head (6) over cabinet (2). Place shredder head on top of cabinet as shown in Figure A.
- Firmly push down on four corners of shredder head to “lock” shredder head into position.
- Push basket (3) into shredder cabinet as shown in Figure B. Basket must be pushed firmly, so edges of basket/cabinet are aligned properly.

NOTE: To disassemble, pull out basket, hold cabinet down by placing foot on bottom shelf, and firmly pull up on shredder head.

Operation

For convenience, your shredder is equipped with an **automatic-start sensor (8)**. This means that when the control switch (5) is on automatic [I] position, the shredder will start running when you put paper into it and stop a few seconds after the paper has passed through. Because the sensor cannot tell the difference between paper and other objects, this feature can also be a hazard, especially to children and pets. To avoid accidents, turn off the shredder as soon as you are finished. Unplug shredder if it will not be used for an extended period.

To shred

- Plug in shredder with control switch (5) in off [O] position
- Press control switch to automatic [I] position; cutting cylinders will run for 1-2 seconds to signal readiness and green light (4) will turn on.

PAPER

- Feed paper straight into entry (1), until the shredder automatically begins shredding; see *Product Profile* for limits on paper width, shreddable items, sheet capacity, etc.
- Shred for no more than 15-20 minutes; shredding longer will cause shredder to turn itself off for 25 minutes to cool down.
- Press control switch to off [O] position after cutting has stopped.

CDs (PS70-2CD only)

- Feed one CD at a time, straight into CD entry (10), releasing when shredding begins. Shredder will stop when CD has passed through entry. CDs will be shredded into small particles. **NOTE:** For safety reasons, CDs should only be shredded using the CD entry (10)

In case of a **paper jam**, which may occur if the sheet capacity is exceeded or if paper is not put in straight, turn off and empty the basket if full. Then:

- 1) Press and hold control switch in reverse [R] position and attempt to back paper out of shredder.
- 2) If shredder jams in reverse mode, press control switch to automatic [I] position and attempt to continue shredding operation.
- 3) If shredder jams again, alternate control switch slowly between reverse [R] and automatic [I] positions to attempt to move jammed paper completely through shredder.

If you are unable to clear the jam using this method, turn off and unplug the shredder; remove wastebasket from the cabinet and carefully remove any paper extending below the cutting cylinders; insert wastebasket and repeat jam clearing procedure.

Maintenance

Regular emptying of the basket is important to ensure the smooth operation of the cutting cylinders. If you can see paper in the basket window (7), turn off the shredder, pull out basket and empty basket contents.

Regular oiling of the confetti-cut model (PS80C-2) is also necessary to ensure proper performance. If you are running the shredder at or near capacity, we recommend oiling it *monthly*. Using Fellowes Powershred Lubricant #35250 or other non-aerosol vegetable-based oil in a long-nozzle container:



- Apply oil over full width of paper entry (1) with shredder in off (O) position.
- Press control switch (5) to automatic (I) position which will cause shredder to run for about 2 seconds.
- Press and hold control switch (5) in reverse (R) position for 3-5 seconds.
- Repeat above automatic (I) and reverse (R) sequence three times.

REMINDER: Do not use flammable synthetic oil, petroleum-based products or aerosol lubricants of any kind in or near the shredder at any time.

Troubleshooting

If you have a problem with your shredder, check the symptoms and remedies below. If you cannot solve the problem this way, contact Fellowes Customer Service. **Do not open shredder head** to attempt repair: It could expose you to serious electric shock and will void your warranty.

Symptom

Shredder does not start or stops while shredding.

Remedy

- Make sure shredder is plugged in and switch is in automatic [I] position.
- If paper appears to be jammed. Follow instructions under *Operation*.
- Check basket position; basket must be pushed all the way in the cabinet. Follow instructions under *Set-Up*.
- Wait 25 minutes for shredder to cool down before trying again.

Red display light (9) turns on and shredder will not operate.

- If paper appears to be jammed. Follow instructions under *Operation*.
- Check basket position; basket must be pushed all the way into the cabinet. Follow instructions under *Set-Up*.

Shredder continues to run for a few seconds after paper has cleared the cutting cylinders.

No action required. This is a self-cleaning function.

Shredder shreds less than capacity (Model PS80C-2 only)

Oil the cutting cylinders. Follow the instructions under Maintenance.

Warranty

Fellowes, Inc. (the "Company") warrants the cutting cylinders of the machine to be free from defects in material and workmanship for 7 years from the date of purchase by the original consumer. Fellowes warrants all other parts of the machine to be free of defects in material and workmanship for 1 year from the date of purchase by the original consumer. If any part is found to be defective during the warranty period, your sole and exclusive remedy will be repair or replacement, at Fellowes' option and expense, of the defective part.

This warranty does not apply in cases of abuse, mishandling or unauthorized repair. ANY IMPLIED WARRANTY, INCLUDING THAT OF MERCHANTABILITY OR FITNESS FOR A PARTICULAR PURPOSE, IS HEREBY LIMITED IN DURATION TO THE APPROPRIATE WARRANTY PERIOD SET FORTH ABOVE. In no event shall Fellowes be liable for any consequential or incidental damages attributable to this product. This warranty gives you specific legal rights. You may have other legal rights that vary from this warranty. The duration, terms and conditions of this warranty are valid worldwide, except where different limitations, restrictions or conditions may be required by local law. For more details or to obtain service under this warranty, please see below.

Fellowes offers toll free consumer service in the following regions: United States, Canada, Mexico, Australia, and Europe. Residents in these regions should contact the appropriate Consumer Helpline located on the back of this manual.

If you are unable to access the Consumer Helpline from your calling area, call the nearest Fellowes location, also listed on the back of this manual. You may also contact your local dealer, contact us online at www.fellowes.com or write to us at:

Fellowes, Inc.
ATTN: Customer Service
1789 Norwood Avenue
Itasca, IL 60143
USA

**Contact for Customer Service
Service Clientèle
Servicio al Cliente**

Australia	1-800-33-11-77
Canada	1-800-665-4339
Mexico	1-800-234-1185
United States	1-800-955-0959

www.fellowes.com

Fellowes 1789 Norwood Avenue Itasca, Illinois 60143-1095 630-893-1600 Customer Service 1-800-945-4545 <http://www.fellowes.com>

Australia Tullamarine, Vic	Benelux Vianen, NL	Canada Markham, Ont.	France Paris Rennes, I-V	Germany Garbsen, Har.	Italy Camerano, AN	Japan Tokyo	Korea Seoul	Poland Warsaw	Singapore Singapore	United Kingdom Doncaster, S. Yorks.
--------------------------------------	------------------------------	--------------------------------	---------------------------------------	---------------------------------	------------------------------	-----------------------	-----------------------	-------------------------	-------------------------------	---