


SAC-4P-M5MR/ 1,5-PUR

Order No.: 1530388



Sensor/Actuator cable, 4-position, PUR, Black RAL 9005, Plug, angledLink:M5, A-coded, on Free conductor end, Cable length: 1.5 m

Commercial data

EAN	 4 046356 024181
Pack	1
Customs tariff	85444190
Country of Origin	DE
Catalog page information	Page 116 (PC-2011)

Product notes

WEEE/RoHS-compliant since:
23/11/2005



Please note that the data given here has been taken from the online catalog. For comprehensive information and data, please refer to the user documentation at <http://www.download.phoenixcontact.com>. The General Terms and Conditions of Use apply to Internet downloads.

Technical data**General data**

Rated current at 40°C	1 A
Rated voltage	125 V
Number of positions	4
Volume resistance	≤ 3 mΩ
Insulation resistance	≥ 10 GΩ

Length of cable	1.5 m
Ambient temperature (operation)	-25 °C ... 80 °C (Male connector / female connector)

General characteristics

Standards/regulations	M5 connector IEC 61076-2-105
Coding	A - standard
Surge voltage category	II
Pollution degree	3
Degree of protection	IP65/IP67
Insertion/withdrawal cycles	≥ 100
Contact material	CuZn
Contact surface material	Au
Contact carrier material	PUR
Material of grip body	PUR
Material, knurls	Nickel-plated brass
Status display	No
Test voltage	1750 V

Conductor data

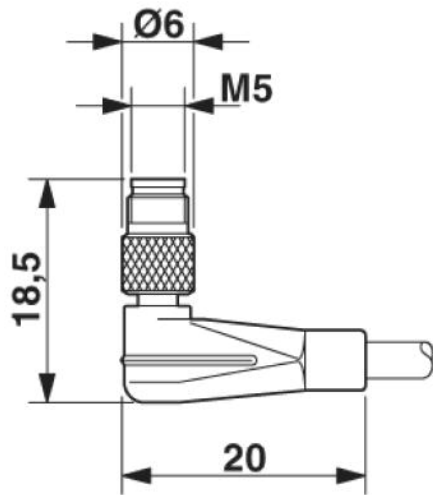
Cable type	PUR/PVC black
Conductor cross section	0.14 mm ²
AWG signal line	26
Conductor structure signal line	18x 0.10 mm
Core diameter including insulation	0.92 mm ±0.02 mm
External cable diameter	3.50 mm
Wire colors	Black, brown, blue, white
External sheath, color	Black RAL 9005
Insulation resistance	100 MΩ*km
Conductor resistance	148 mΩ/m
Nominal voltage, conductor	100 V
Test voltage, conductor	800 V _{rms}
Overall twist	4 wires, twisted
Outer sheath, material	PUR
Material conductor insulation	PVC
Conductor material	Bare Cu litz wires
Smallest bending radius, fixed installation	9 mm
Smallest bending radius, movable installation	18 mm

Accessories		
Item	Designation	Description
General		
1013944	PABA RD/15	Marker bar, unprinted: with 20 snap-off marker labels, lettering field 4 mm high, 15 mm wide, color: red
1013151	PABA WH/15	Marker bar, unprinted: With 20 snap-off marker labels, lettering field 4 mm high, 15 mm wide, color: White
1013698	PABA YE/15	Marker bar, unprinted: with 20 snap-off marker labels, lettering field 4 mm high, 15 mm wide, color: yellow
Marking		
1051993	B-STIFT	Marker pen, for manual labeling of unprinted Zack strips, smear-proof and waterproof, line thickness 0.5 mm
1013038	PATG 2/15	Conductor marker carrier, closed, 15 mm wide, conductor diameter 2.0 - 4.0 mm
1013041	PATG 3/15	Conductor marker carrier, closed, 15 mm wide, conductor diameter 4.0 - 7.0 mm
1013054	PATG 4/15	Conductor marker carrier, closed, 15 mm wide, conductor diameter 6.0 - 10.0 mm
Tools		
1212207	CUTFOX-S VDE	Diagonal cutter for copper and aluminum conductors, VDE-tested
1212150	WIREFOX 10	Stripping tool, for cables and conductors from 0.02 - 10 mm ² , self-adjusting, stripping length of up to 18 mm, cutting capacity of up to 10 mm ² stranded/1.5 mm ² solid, replaceable stripping blade
1212623	WIREFOX SAC	Stripping pliers, for halogen-free sensor/actuator cables (SAC cables), with PUR and PVC insulation, from Ø of 4.4 to 7 mm, any stripping length

Drawings

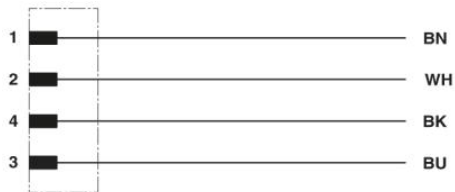
Dimensioned drawing

Plug M5 x 0.5, angled



Circuit diagram

Contact assignment of the M5 connector



Schematic diagram

Plug M5, 4-pos.

