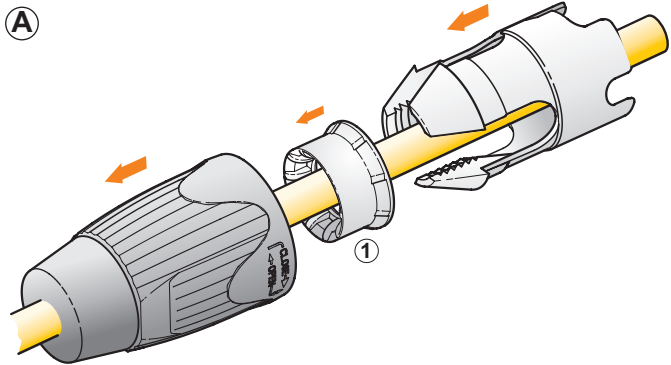




# ASSEMBLY INSTRUCTION

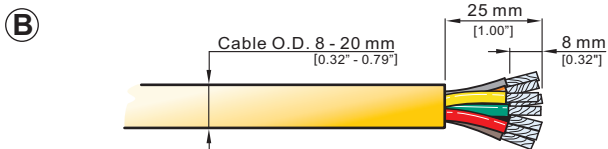
## speakON STX Series | Lockable Loudspeaker Connector 8 pole Cable Connector with metal housing - NLT8MX



**A** Place bushing and chuck over the cable.

**If cable O.D.:**

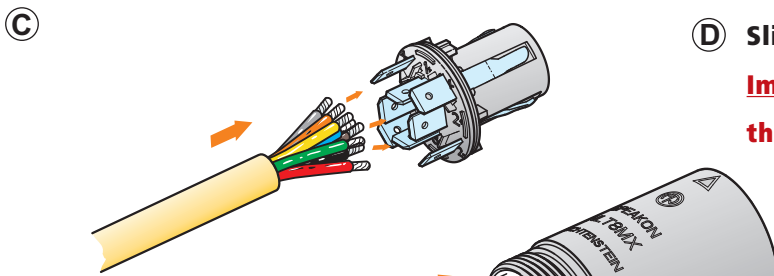
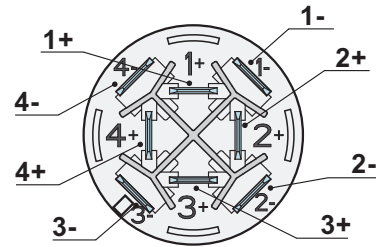
**Less 16 mm please use reducing piece (1).**



**B** Prepare cable as shown.

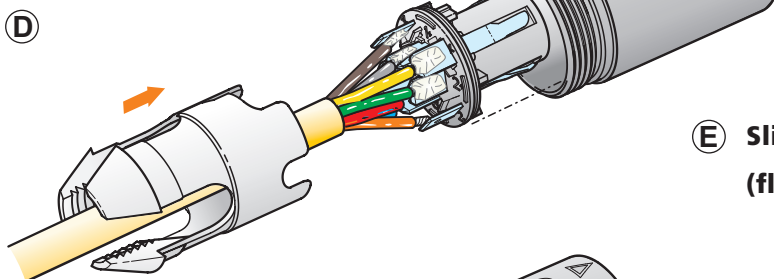
**C** Solder the wire ends to contacts of insert.

**Wiring:**

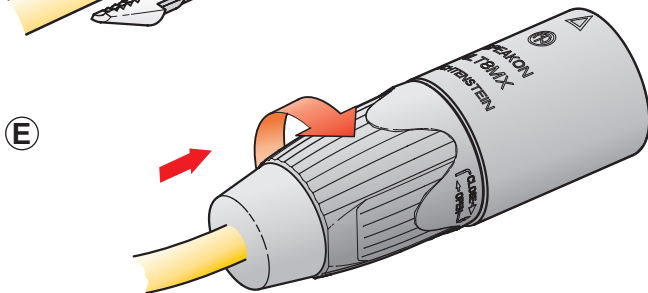


**D** Slide insert and chuck into housing.

**Important:** Align the insert by positioning the Neutrik to the top of the housing.



**E** Slide the bushing up the cable and tighten it (flat wrench SW 27 mm).



NEUTRIK AG LI T: +423 / 237 24 24 F: +423 / 232 53 93  
NEUTRIK USA Inc. USA T: +1 704 / 972 3050 F: +1 704 / 438 9202  
NEUTRIK (UK) Ltd. UK T: +44 1983 / 811 441 F: +44 1983 / 811 439  
NEUTRIK Vertriebs GmbH DE/NL/AT/DK T: +49 8131 / 280 890 F: +49 8131 / 280 830

NEUTRIK France FR T: +33 1 / 4131 6750 F: +33 1 / 4131 0511  
NEUTRIK Tokyo Ltd. JP T: +81 3 / 3663 4733 F: +81 3 / 3663 4796  
NEUTRIK Hong Kong Ltd. HK T: +852 / 2687 6055 F: +852 / 2687 6052

Draft. Nr.: BDA 334 / 3102M2021 | Update: 29.05.2012 | Data subject to change without prior notice. ©2012 NEUTRIK®. ALL RIGHTS RESERVED. NEUTRIK® are registered trademark.