

# Product data sheet

## Miniature connectors

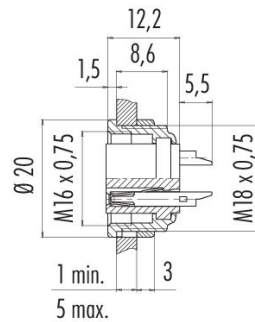


Product description	M16 Female panel mount connector, Contacts: 6 (06-a), unshielded, THT, IP40
Area	M16 IP40 series 680
Part no.	09 0324 00 06

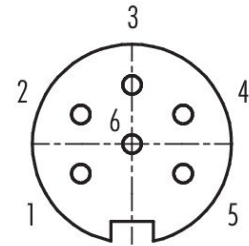
### Illustration



### Scale drawing



### Contact arrangement (Plug-in side)



You can find the component part drawing and assembly instructions on the next page.

## Technical data

### General features

Part no.	<b>09 0324 00 06</b>
Connector design	Female panel mount connector
Type standard	DIN EN 61076-2-106
Version	Connector socket straight
Connector locking system	screw
Termination	THT
Degree of protection	IP40
Cross-sectional area	0.75 mm <sup>2</sup> / AWG 18
Temperature range from/to	-40 °C / 85 °C
Mechanical operation	> 500 Mating cycles
Weight (g)	9.53
Customs tariff number	85369010
Country of Origin	DE

### Electrical parameters

Rated voltage	250 V
Rated impulse voltage	1500 V
Rated current	5.0 A
Insulation resistance	≥ 10 <sup>10</sup> Ω
Pollution degree	1
Overvoltage category	I
Insulating material group	III
EMC compliance	unshielded

# Product data sheet

## Miniature connectors



Product description	<b>M16 Female panel mount connector, Contacts: 6 (06-a), unshielded, THT, IP40</b>
-	-
Area	<b>M16 IP40 series 680</b>
Part no.	<b>09 0324 00 06</b>

### Material

Housing material	Zinc die-cast nickel-plated
Contact body material	PBT (UL94 V-0)
Contact material	CuSn (bronze)
Contact plating	Ag (silver)
REACH SVHC	CAS 7439-92-1 (Lead)
SCIP number	79907566-7bf5-4ee3-8ac3-d3f4f906a298

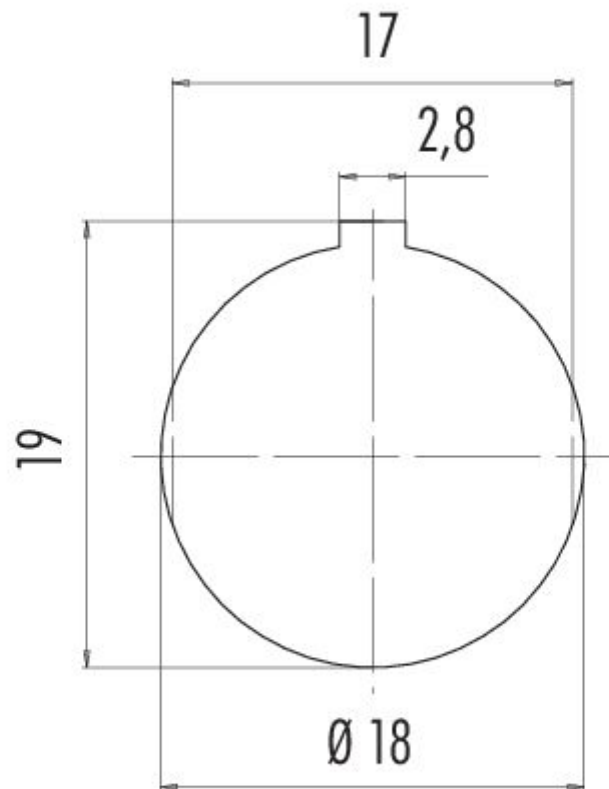
### Classifications

eCl@ss 11.1	27-44-01-09
ETIM 9.0	EC003569

**Product data sheet**  
**Miniature connectors**

Product description	M16 Female panel mount connector, Contacts: 6 (06-a), unshielded, THT, IP40
-	-
Area	M16 IP40 series 680
Part no.	09 0324 00 06

**Assembly instructions / Panel cut-out**



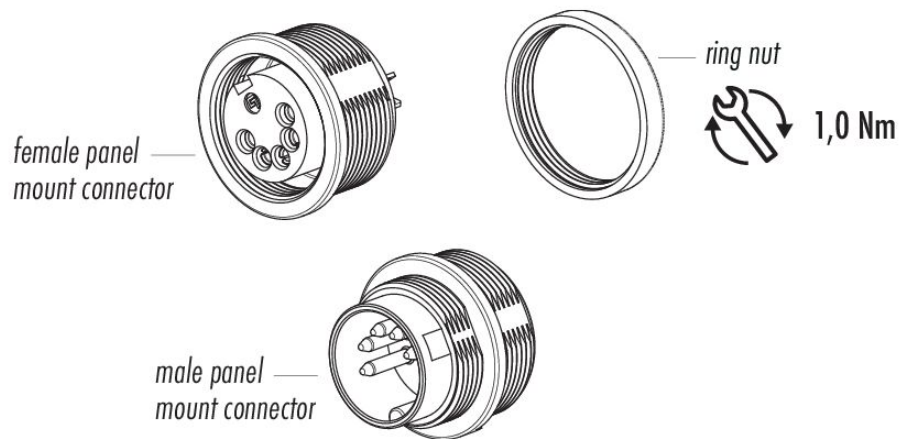
# Product data sheet

## Miniature connectors



Product description	<b>M16 Female panel mount connector, Contacts: 6 (06-a), unshielded, THT, IP40</b>
-	-
Area	<b>M16 IP40 series 680</b>
Part no.	<b>09 0324 00 06</b>

### Component part drawing



Product description	<b>M16 Female panel mount connector, Contacts: 6 (06-a), unshielded, THT, IP40</b>
-	-
Area	<b>M16 IP40 series 680</b>
Part no.	<b>09 0324 00 06</b>

## Security notices

The connector must not be plugged or unplugged under load. Non-observance and improper use can result in personal injury.

The connectors have been developed for applications in plant engineering, control and electrical equipment construction. The user is responsible for checking whether the connectors can also be used in other areas of application.

To protect against unintentional opening of the connector, the thread between the housing and the connector head must be secured with a suitable cyanoacrylate adhesive when used in circuits with voltages dangerous to the touch. This does not apply to connectors used in SELV and PELV circuits according to IEC 61140 (EN 61140, VDE 0140-1).

The plug connector is not suitable for mains voltages. Please observe the pollution degree and the overvoltage category. For further information, please refer to the download center "Technical Information".