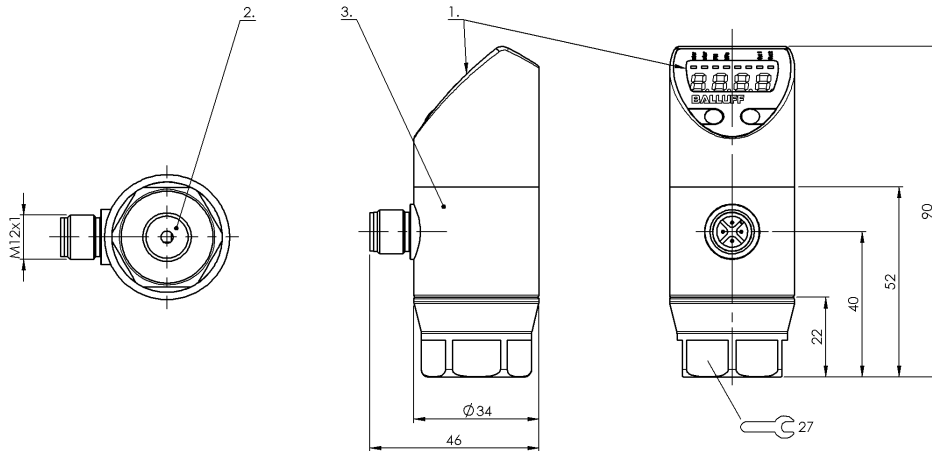


BSP V010-EV002-A02S1B-S4 BSP0092



1) Display and control panel 2) Process connection 3) Housing rotatable 320°



Display/Operation

Switching function display LED

Electrical connection

Connection M12x1-Connector, 4-pole, A-coded
Polarity reversal protected yes
Short-circuit protection yes

Electrical data

Current draw max. 50 mA
MTTF (40 °C) 309 a
Operating voltage U_b 18...36 VDC
Output current max. 250 mA
Switching cycles min. 100000000
Switching frequency 200 Hz

Environmental conditions

Ambient temperature -25...85 °C
Compensation temperature -25...85 °C
Interference immunity EN 61326-2-3: 2006
Medientemperatur -25...125 °C
Noise emission EN 61326-2-3: 2006
Protection class III
Protection type IEC 60529 IP67
Storage temperature -40...85 °C
Temperature coefficient typ. $\leq \pm 0.3$ % FSO/10K

Functional safety

Diagnostic coverage 0.0 %
Functional safety no
Mission Time 0 a

General data

Approval/Conformity CE
Operating panel 2 buttons
320° rotation
4-digit, 7-segment display, red

Material

Gasket, material FKM
Housing material PA, PA 6.6

Mechanical data

Tightening torque max. 5 Nm
Weight 230.00 g

Output/Interface

Analog output Analog, current, 4...20 mA
Interface IO-Link 1.1
IO-Link version 1.1
Switching output PNP

Range/Distance

Burst pressure 35.00 bar
Long-term stability max. 0.3 % FSO/year

BSP V010-EV002-A02S1B-S4 BSP0092

Overload pressure	20 bar
Repeat accuracy	≤ ±0.2 % FSO
Resolution	≤ 12 Bit
Sampling rate	2 ms

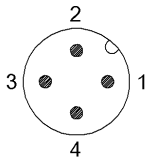
Remarks

vacuum-tight
Permissible burden on analog output $R_{max} = 330 \text{ Ohm}$

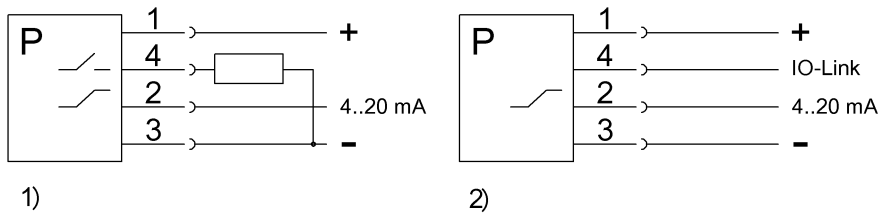
For further information on MTTF/B10d, please refer to the MTTF / B10d Certificate.

Specification of the MTTF value and the B10d value do not represent any binding quality and/or life expectancy guarantees.

Connector view



Wiring Diagram



1) Standard mode 2) IO-Link mode