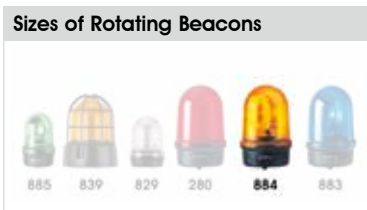




Bracket (accessory)



Plastic bracket, adaptor for tube mounting and wire guard (accessories)



- Greater signal effect particularly in poor conditions thanks to three light beams
- Low rotation rate
- Three Fresnel lenses effect light convergence and optimise visibility
- High impact resistance to 20 Joules

TECHNICAL SPECIFICATIONS:

Dimensions (Ø x Height):	142 mm x 218 mm
Housing:	PC/ABS-Blend
Lens:	PC, transparent
Fixing:	Base mounting, bracket mounting, tube mounting (accessory)
Connection:	Screw terminal with wire protection max. 2.5 mm ²
Cable entry:	Cable diameter 5-7 mm
Drive:	Wheel and disc drive, motor in centre of gravity
Halogen bulb:	G 6.35 35 W 12 V / 24 V
Mirror rotation rate:	60 r.p.m.
Service life of drive:	> 5,000 hrs
Duty cycle:	100 %

Halogen bulb included in assembly.

ORDER SPECIFICATIONS:

Voltage	24 V AC/DC	230 V AC
Current consumption	1.6 A	0.17 A
red	884 100 75	884 100 68
green	884 200 75	884 200 68
yellow	884 300 75	884 300 68
blue	884 500 75	884 500 68

Further colours and voltages on request.

ACCESSORIES:

Plastic bracket for wall mounting	975 883 06
Adaptor for tube mounting	975 883 09
Base for tube mounting	975 840 91
Tube, Ø 25 mm, 100 mm long	975 845 10
Tube, Ø 25 mm, 250 mm long	975 840 25
Wire guard, only for base mounting	975 883 08

SPARE PARTS:

Halogen bulb 35 W/12 V for 230 V AC	955 883 34
Halogen bulb 35 W/24 V for 24 V AC/DC	955 883 35

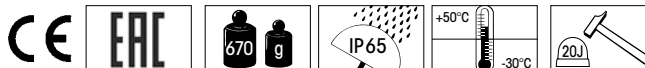


3 Fresnel lenses are set at a 120° angle

TECHNICAL DIAGRAMS:

see page 325

See note on page 347





Bracket (accessory)



Plastic bracket, adaptor for tube mounting and wire guard (accessories)

Sizes of Rotating Beacons



- Extreme durability thanks to lowwear wheel and disc drive
- Adaptor for tube mounting (accessory)
- Installation without the need to disassemble the mechanism
- High impact resistance to 20 Joules

i TECHNICAL SPECIFICATIONS:

Dimensions (Ø x Height):	142 mm x 218 mm
Housing:	PC/ABS-Blend
Lens:	PC, transparent
Fixing:	Base mounting, bracket mounting, tube mounting (accessory)
Connection:	Screw terminal with wire protection max. 2.5 mm ²
Cable entry:	Cable diameter 5-7 mm
Drive:	Wheel and disc drive, motor in centre of gravity
Halogen bulb:	G 6.35 35 W 12 V / 24 V
Mirror rotation rate:	c. 180 r.p.m.
Service life of drive:	> 5,000 hrs
Duty cycle:	100 %

Halogen bulb included in assembly.

🛒 ORDER SPECIFICATIONS:

	12 V DC	24 V AC/DC	115 V AC/DC	230 V AC
Voltage	12 V DC	24 V AC/DC	115 V AC/DC	230 V AC
Current consumpt.	3 A	1.6 A	0.35 A	0.17 A
red	883 100 54	883 100 75	883 100 77	883 100 68
green	883 200 54	883 200 75	883 200 77	883 200 68
yellow	883 300 54	883 300 75	883 300 77	883 300 68
blue	883 500 54	883 500 75	883 500 77	883 500 68

Further colours and voltages on request.

🏠 ACCESSORIES:

Plastic bracket for wall mounting	975 883 06
Adaptor for tube mounting	975 883 09
Base for tube mounting	975 840 91
Tube, Ø 25 mm, 100 mm long	975 845 10
Tube, Ø 25 mm, 250 mm long	975 840 25
Wire guard, only for base mounting	975 883 08

SPARE PARTS:

Halogen bulb 35 W/12 V for 12 V DC, 115 V AC/DC, 230 V AC	955 883 34
Halogen bulb 35 W/24 V for 24 V AC/DC	955 883 35

📐 TECHNICAL DIAGRAMS:

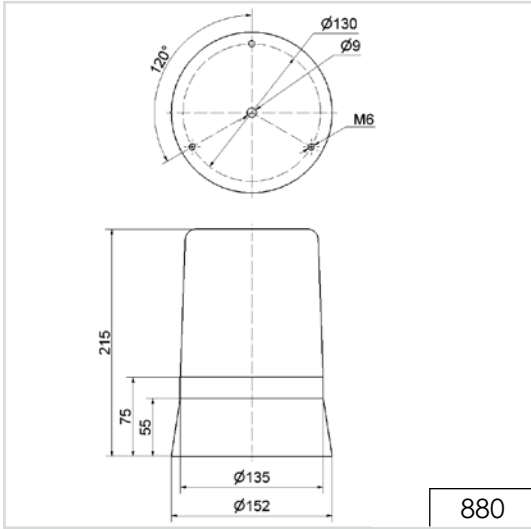
see page 325



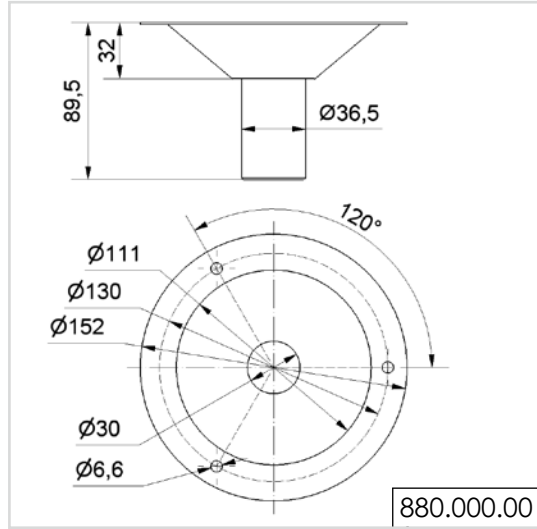
Low wear wheel and disc drive

See note on page 347

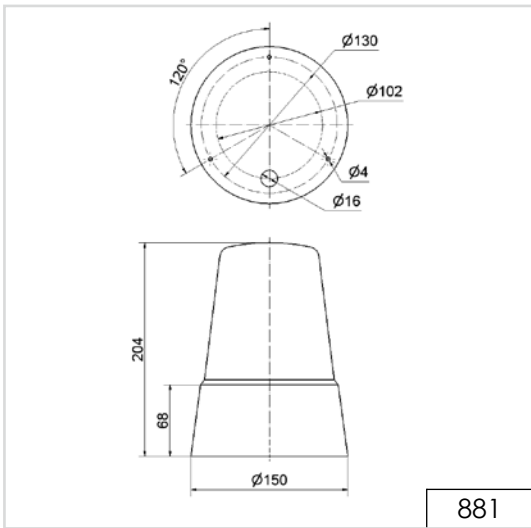




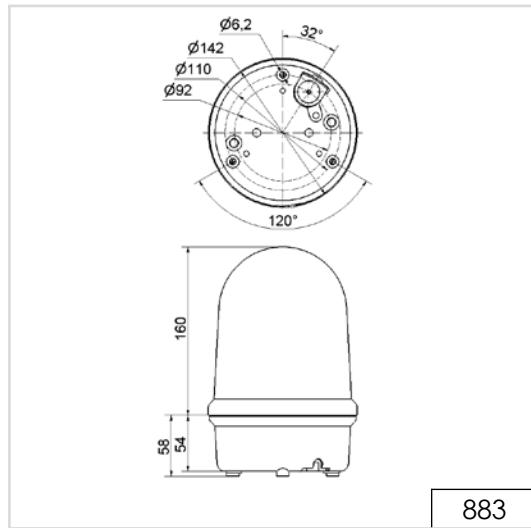
880



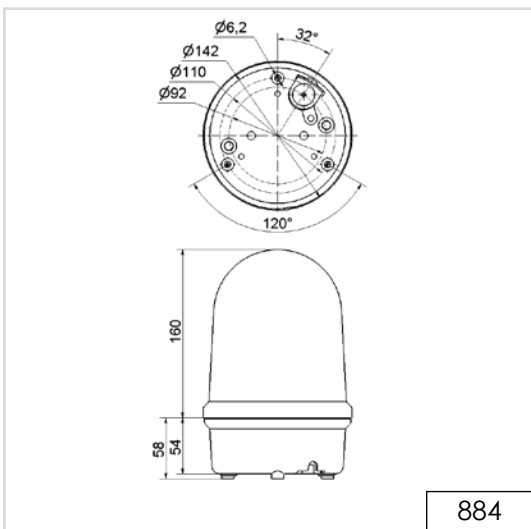
880.000.00



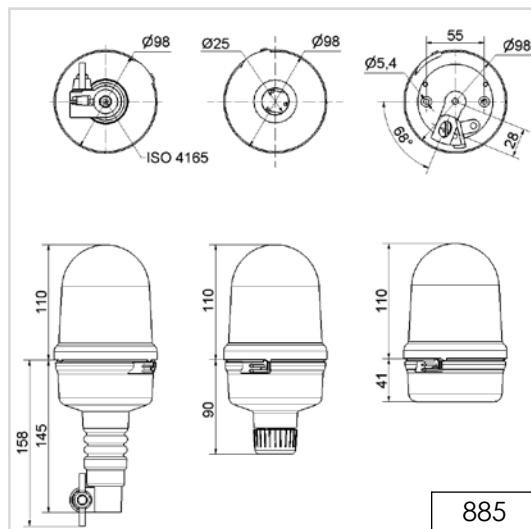
881



883



884

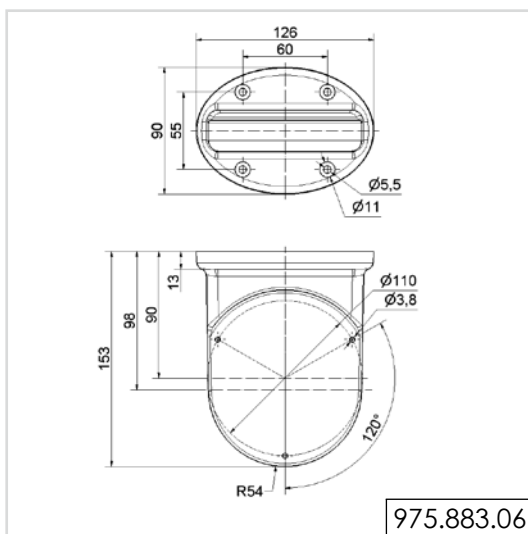
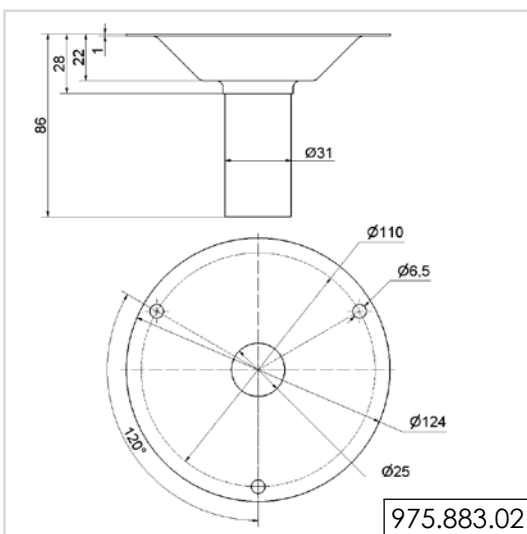
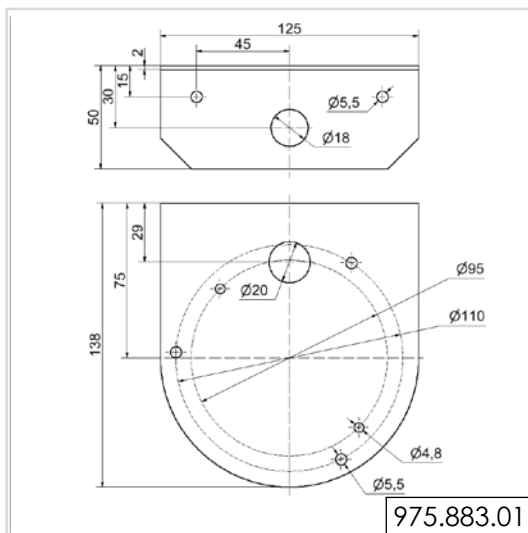
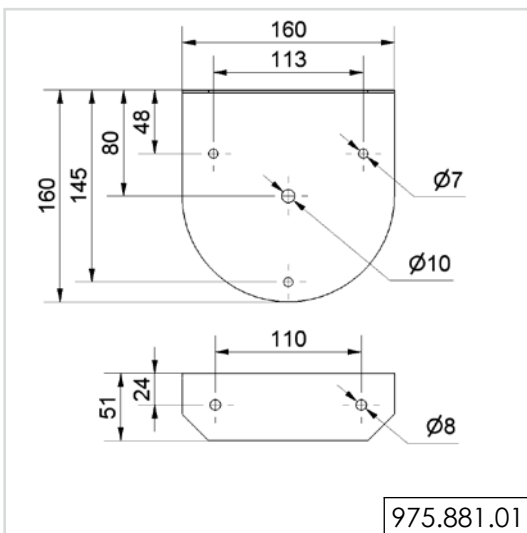
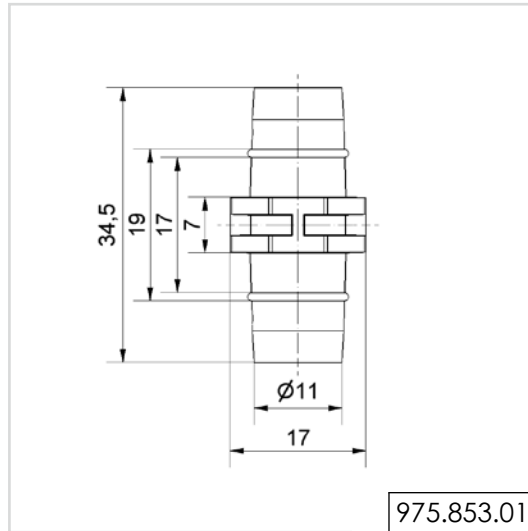
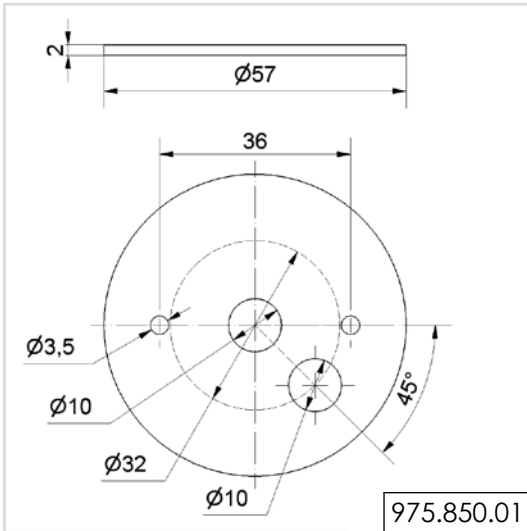


885

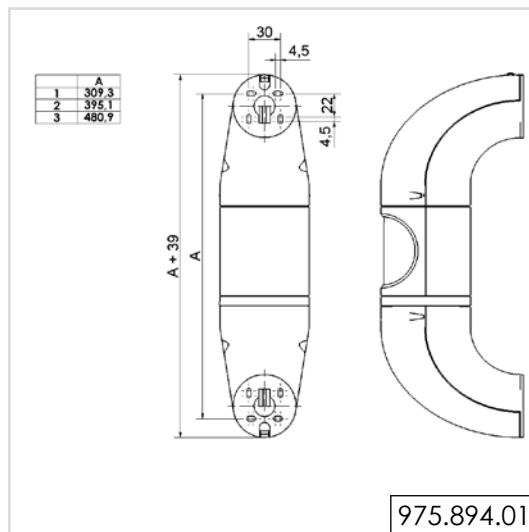
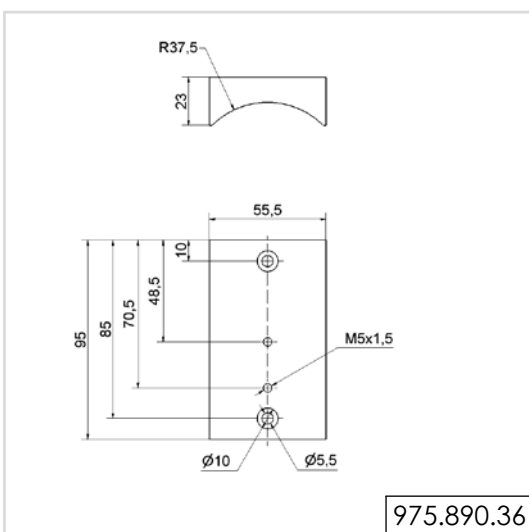
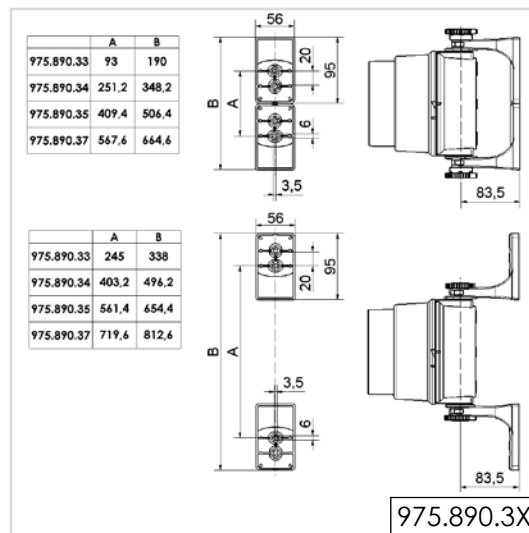
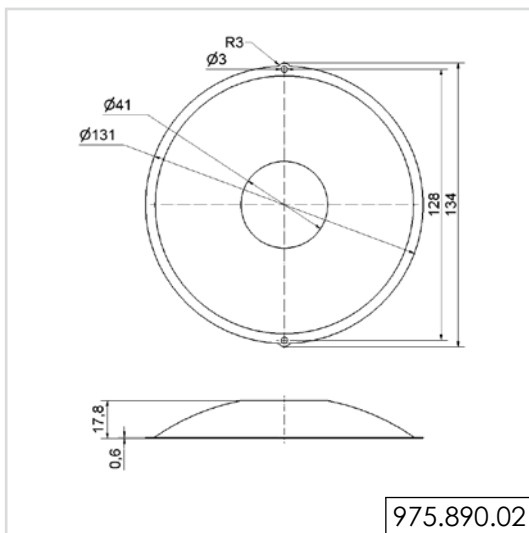
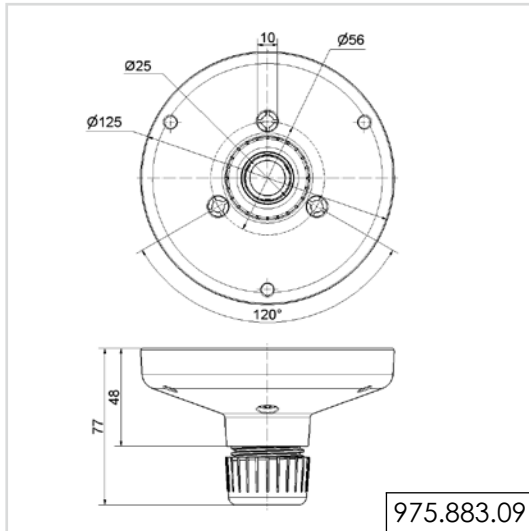
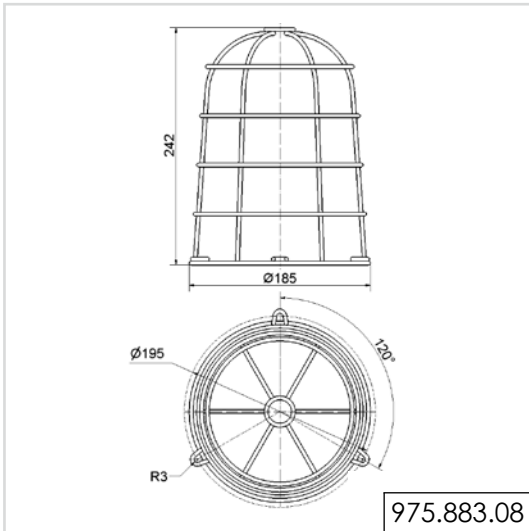
! ADDITIONAL INFORMATION:

You are welcome to request the technical diagrams in digital form. The relevant 3D models, instruction leaflets and connection diagrams can be obtained from us or downloaded from our homepage at any time.

Technical Diagrams



Technical Diagrams



! ADDITIONAL INFORMATION:

You are welcome to request the technical diagrams in digital form. The relevant 3D models, instruction leaflets and connection diagrams can be obtained from us or downloaded from our homepage at any time.