

3M™ Serial Advanced Technology Attachment (SATA) Connector

Signal Plug, Boardmount, Surfacemount Right Angle and PTH Vertical 5607 Series



- 7-position supports motherboard signal requirements
- EMLB contacts for "hot swap"
- Blind mate polarization for easy cable attach
- Through-hole and surfacemount options
- PCB retention clip aids manufacturing
- Meets SATA Specification
- RoHS* compliant

Date Modified: October 7, 2006

TS-2108-02
Sheet 1 of 5

Physical

Insulator

Material: High temperature thermoplastic

Flammability: UL 94V-0

Color: Black

Contact

Material: Copper Alloy

Plating:

Wiping Area: Gold Flash

Solder Tails: 100 μ" [2.54 μm] Tin

Underplating: 50 μ" [1.27 μm] Nickel

Marking 3M Logo

Electrical

Current Rating: 1.5 A

Insulation Resistance: 10³ MΩ (minimum)

Withstanding Voltage: 500 VAC at sea level

Environmental

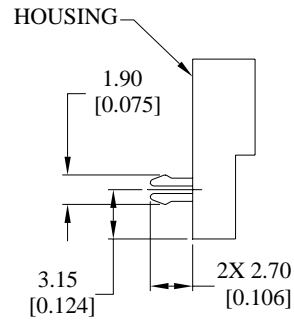
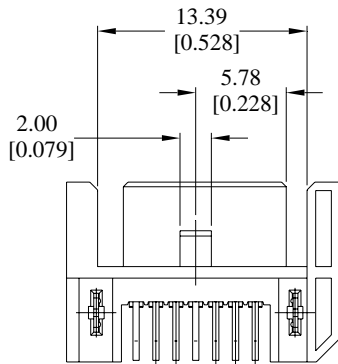
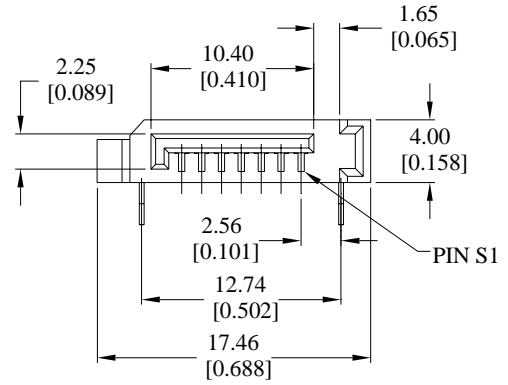
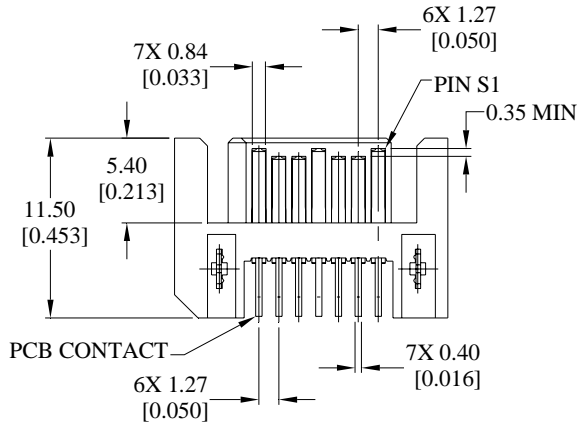
Operating Temperature: 0°C to +55°C

Non-Operating Temperature: -40°C to +85°C

Maximum Heat Resistance: 260°C for 25 seconds ± 5 seconds

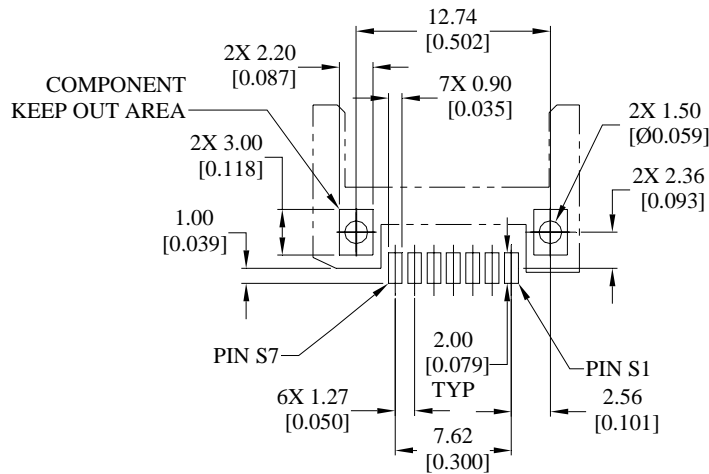
*RoHS = Directive 2002/95/EC, Restriction of the Use of Certain Hazardous Substances in Electrical and Electronic Equipment
"RoHS compliant" means that the product or part does not contain any of the following substances in excess of the following maximum concentration values in any homogeneous material, unless the substance is in an application that is exempt under RoHS: (a) 0.1% (by weight) for lead, mercury, hexavalent chromium, polybrominated biphenyls or polybrominated diphenyl ethers; or (b) 0.01% (by weight) for cadmium. Unless otherwise stated by 3M in writing, this information represents 3M's knowledge and belief based upon information provided by third party suppliers to 3M.

Right Angle Surfacemount



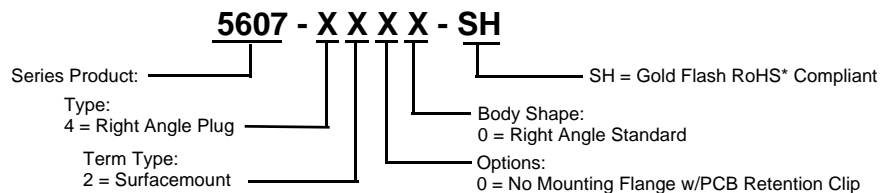
mm			
[Inch]			
Tolerance Unless Noted			
	.0	.00	.000
mm	±.3	±.25	±.127
[] Dimensions for Reference Only			

Right Angle Surfacement



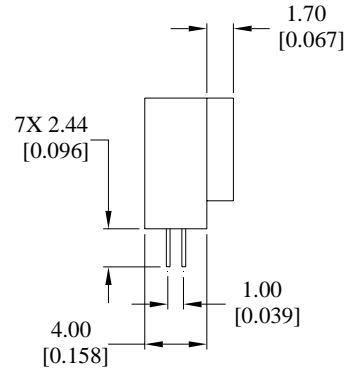
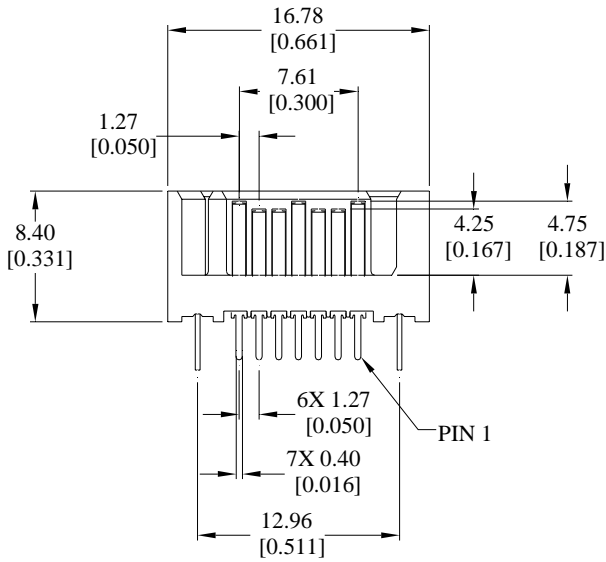
RECOMMENDED P.C.B. LAYOUT
 TOLERANCE ±0.05 [0.002]

Ordering Information

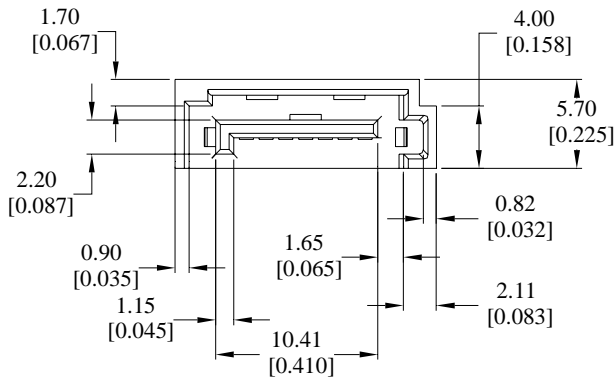


TS-2108-02
 Sheet 3 of 5

Vertical Through-Hole

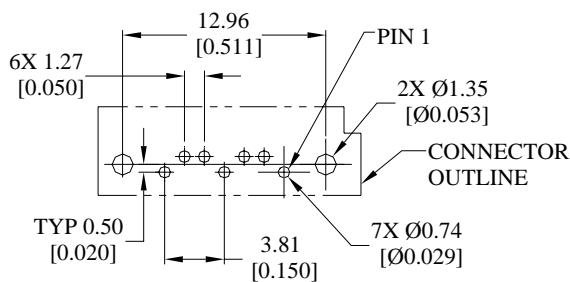


PCB RETENTION CLIP
 NOT SHOWN FOR CLARITY



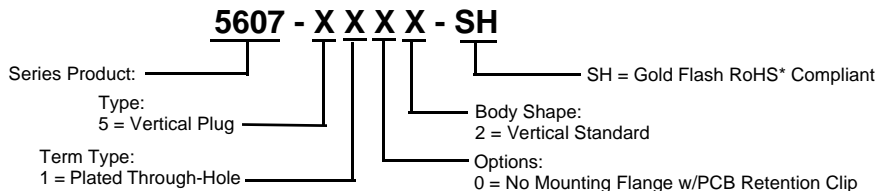
mm			
[Inch]			
Tolerance Unless Noted			
	.0	.00	.000
mm	±.3	±.25	±.127
[] Dimensions for Reference Only			

Vertical Through-Hole



RECOMMENDED P.C.B. HOLE LAYOUT
 TOLERANCE ±0.05 [0.002]

Ordering Information



Important Notice

All statements, technical information, and recommendations related to 3M's products are based on information believed to be reliable, but the accuracy or completeness is not guaranteed. Before using this product, you must evaluate it and determine if it is suitable for your intended application. You assume all risks and liability associated with such use. Any statements related to the product which are not contained in 3M's current publications, or any contrary statements contained on your purchase order shall have no force or effect unless expressly agreed upon, in writing, by an authorized officer of 3M.



3M Electronics

6801 River Place Blvd.
Austin, TX 78726-9000
800/225-5373
www.3M.com/electronics

Warranty; Limited Remedy; Limited Liability.

This product will be free from defects in material and manufacture for a period of one (1) year from the time of purchase. **3M MAKES NO OTHER WARRANTIES INCLUDING, BUT NOT LIMITED TO, ANY IMPLIED WARRANTY OF MERCHANTABILITY OR FITNESS FOR A PARTICULAR PURPOSE.** If this product is defective within the warranty period stated above, your exclusive remedy shall be, at 3M's option, to replace or repair the 3M product or refund the purchase price of the 3M product. **Except where prohibited by law, 3M will not be liable for any indirect, special, incidental or consequential loss or damage arising from this 3M product, regardless of the legal theory asserted.**



Minimum 10%
Post-Consumer Fiber

Printed in USA.

© 3M 2006