



ENGLISH

Datasheet  
Stock No: 124-1912

# RS Pro Stainless Steel Toggle Latch



Adjustable Pull Latch – Stainless Steel  
Suitable for a wide variety of uses where corrosion resistance is necessary i.e. food containers and marine equipment

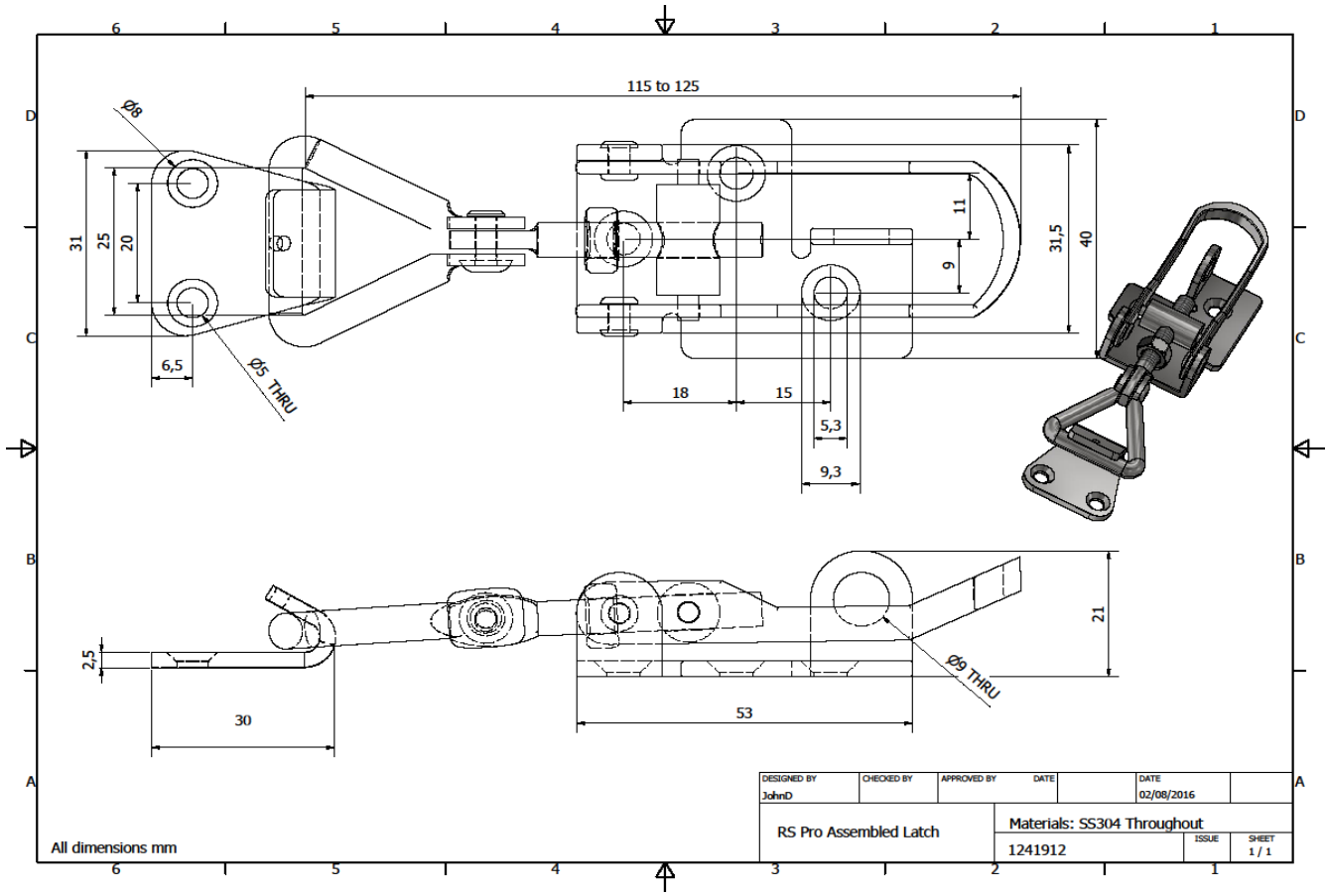
## Typical Properties

Material

Stainless Steel

Includes

Latch hook and Catch



All dimensions mm

DESIGNED BY JohnD	CHECKED BY	APPROVED BY	DATE	DATE 02/08/2016	
RS Pro Assembled Latch			Materials: SS304 Throughout		
1241912			ISSUE	SHEET 1 / 1	