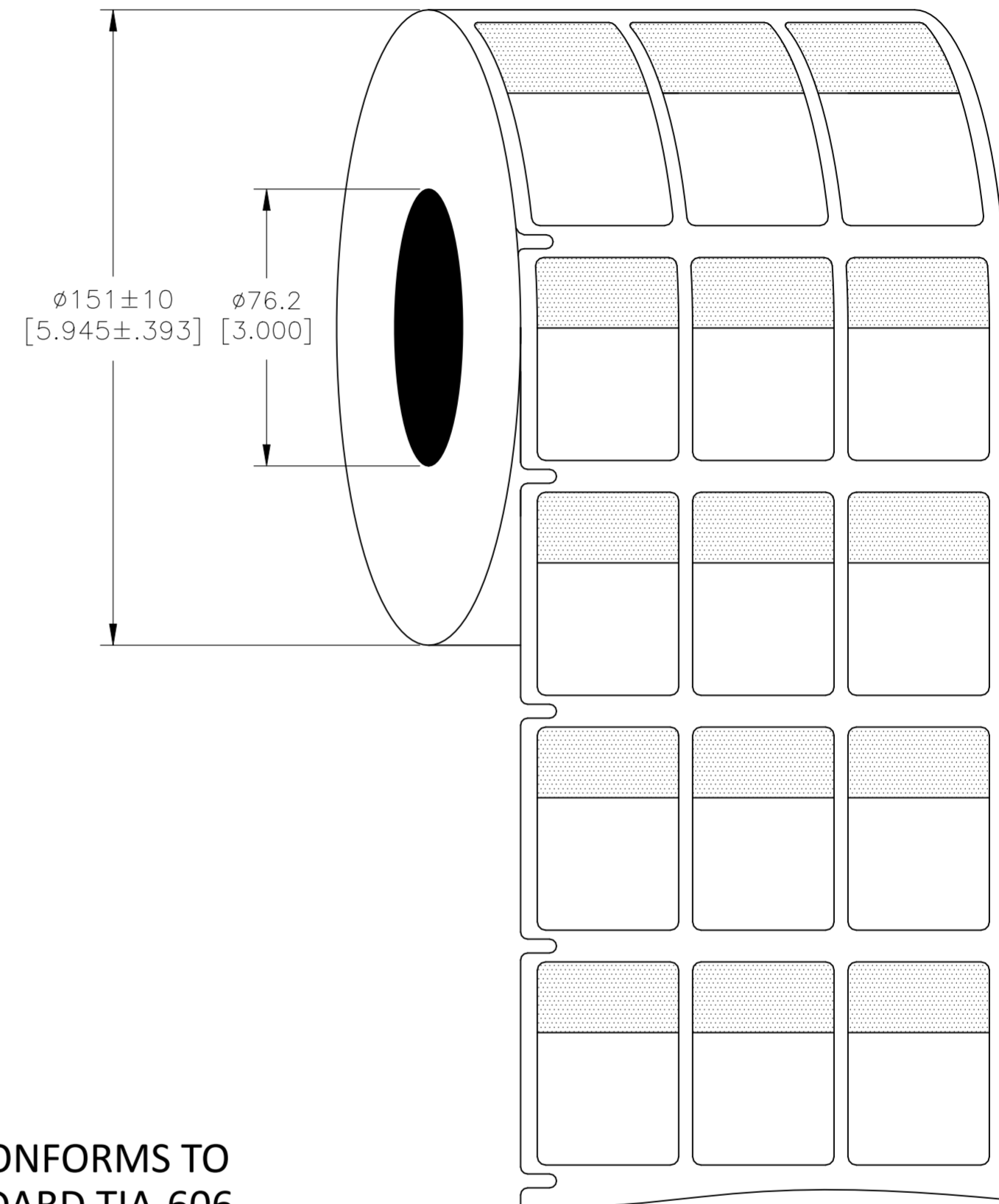


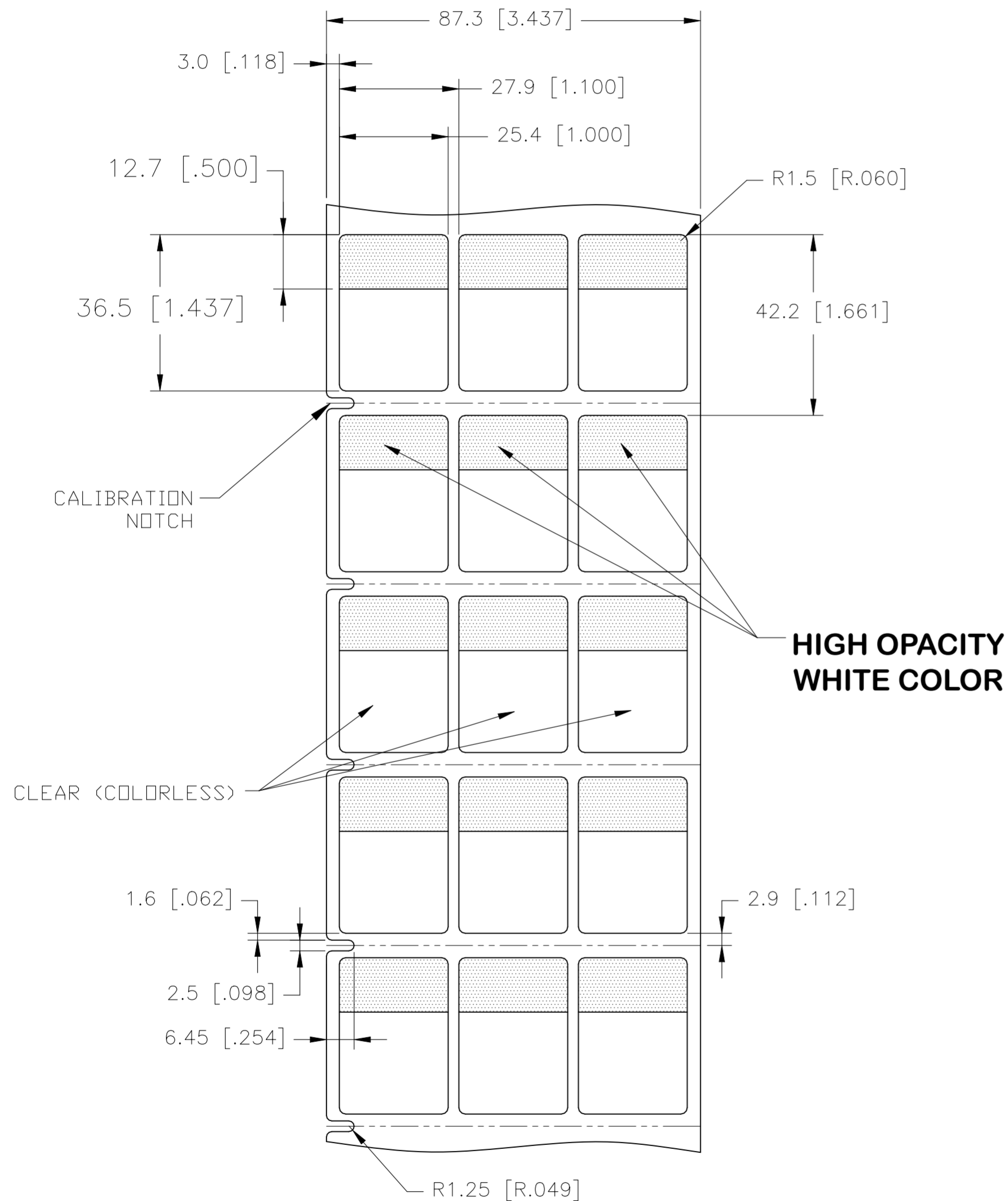
REVISIONS					
P	LTR	DESCRIPTION	DATE	DWN	APVD
A		INITIAL RELEASE	01JUL2022	GK	DB

PRESENTATION



OUTSIDE WOUND LABEL ACROSS: 3 PER ROLL QTY: 5000

LABEL AND LINER DESIGN



HIGH OPACITY WHITE COLOR

CLEAR (COLORLESS)

PRINT COLOR CONFORMS TO LABELING STANDARD TIA-606

All dimensions in mm [Inch]
TE PN: 1SET530102R0000

UL-MARKING AND LABELLING SYSTEMS		
PGIS2 - Marking and Labeling Systems, Limited Use - Component (UL 969)		
File: MH61671	Product design: SBP	Ribbon: See TE Document 411-121005

TOLERANCES mm [INCH]	
LABEL HEIGHT:	±0.3 [.012]
LABEL WIDTH:	±0.3 [.012]
WEB WIDTH:	±0.8 [.031]
VERTICAL REPEAT:	±0.8 [.031]*
HORIZONTAL REPEAT:	±0.8 [.031]*
PRINT POSITIONING:	±0.8 [.031]*
LEFT MARGIN:	±0.4 [.016]
QUANTITY:	-0 % +2 %
*NON ACCUMULATING	

THIS DRAWING IS A CONTROLLED DOCUMENT.	
DIMENSIONS: mm [INCHES]	TOLERANCES UNLESS OTHERWISE SPECIFIED:
	0 PLC ±
	1 PLC ±
	2 PLC ±
	3 PLC ±
4 PLC ±	ANGLES ±
MATERIAL: SEE TABLE	FINISH: -

MATERIAL	CLEAR VINYL
ADHESIVE TYPE	ACRYLIC PERMANENT
LINEAR	WHITE KRAFT
DWN: GOPALAKRISHNA HV	TE Connectivity
CHK: D.BURGAT	
APVD: D.BURGAT	NAME: SBP EWS LABEL - WHITE
PRODUCT SPEC: TTDS-283	25.4 x 36.5mm [1.00 x 1.43inch]
APPLICATION SPEC: -	SIZE: A2
WEIGHT: 0.129g	CAGE CODE: FB1U7
CUSTOMER DRAWING	DRAWING NO: SBPE07-1225-WH-5
SCALE: 1:1	SHEET: 1 OF 1
REV: A	RESTRICTED TO: -