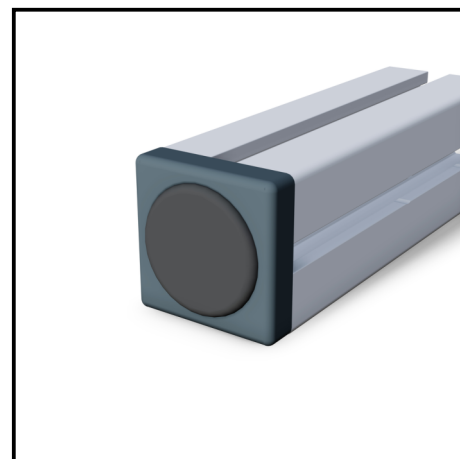
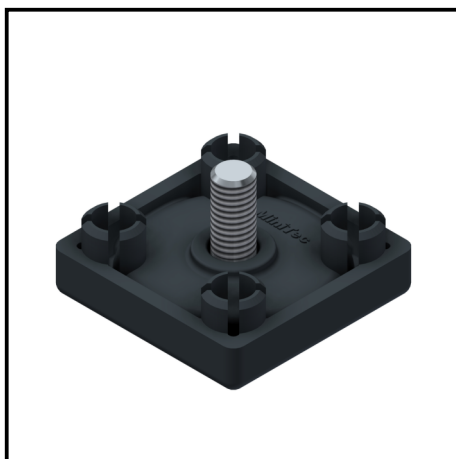
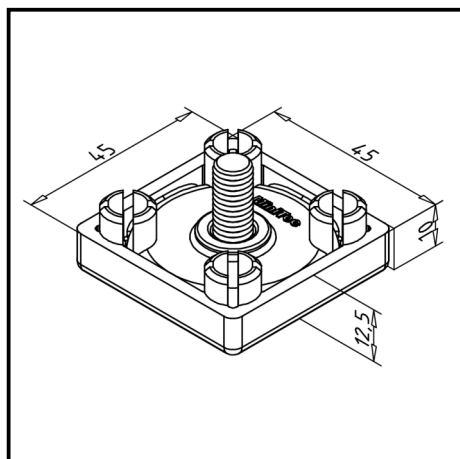


FLOOR MOUNTING PLATE 45X45 G

Article Nr. 22.1217/0

[See the product on the website](#) →

[Download CAD Files](#) →



TECHN. DATA / ITEMS SUPPLIED

- ABS, Injection Mould, grey
- Anti-slip license NBR, black
- With fastening screw M8, galvanized
- Load capacity: 1000 kg
- Weight = 0.032 kg/piece

APPLICATIONS

- For use with all profiles with cross section 45x45
- For non-slip installation of tables and racks
- Reduces noise and protects the floor

ASSEMBLY

- Fasten to central profile bore with fixation material from delivery scope
- Then insert anti-slip certificate