

521647-3 ✓ ACTIVE

Appliance Connectors

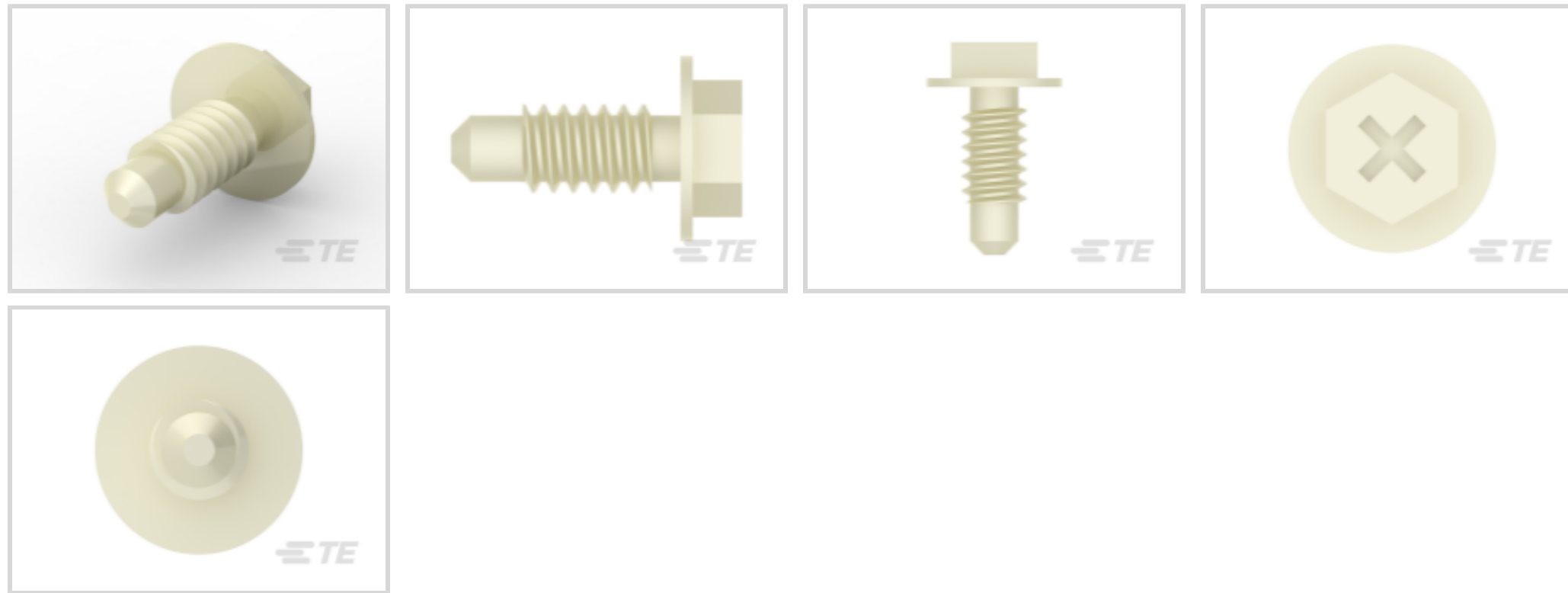
TE Internal #: 521647-3

Box, Nickel Plating, 15.36 mm [.605 in] Length, Appliance Connectors

[View on TE.com >](#)



Terminals & Splices > Special Purpose Terminals



Terminal Plating Material: **Nickel**
Product Length: **15.36 mm [.605 in]**
Packaging Method: **Box**
Sealable: **No**

Features

Product Type Features

Sealable	No
----------	----

Contact Features

Terminal Plating Material	Nickel
---------------------------	--------

Dimensions

Product Length	15.36 mm [.605 in]
----------------	--------------------

Packaging Features

Packaging Quantity	5000
Packaging Method	Box

Product Compliance

[For compliance documentation, visit the product page on TE.com>](#)

EU RoHS Directive 2011/65/EU	Compliant
EU ELV Directive 2000/53/EC	Compliant
China RoHS 2 Directive MIIT Order No 32, 2016	有害物质含量符合标准要求 No Restricted Substance(s) Above Threshold

EU REACH Regulation (EC) No. 1907/2006

Current ECHA Candidate List: JUNE 2025 (250)

Candidate List Declared Against: JUNE 2025 (250)

Does not contain REACH SVHC

Halogen Content

Low Halogen - Br, Cl, F < 900 ppm per homogenous material. Also BFR/CFR/PVC Free

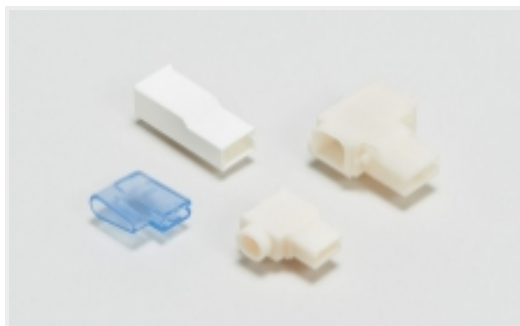
Solder Process Capability

Not applicable for solder process capability

Product Compliance Disclaimer

This information is provided based on reasonable inquiry of our suppliers and represents our current actual knowledge based on the information they provided. This information is subject to change. The part numbers that TE has identified as EU RoHS compliant have a maximum concentration of 0.1% by weight in homogenous materials for lead, hexavalent chromium, mercury, PBB, PBDE, DBP, BBP, DEHP, DIBP, and 0.01% for cadmium, or qualify for an exemption to these limits as defined in the Annexes of Directive 2011/65/EU (RoHS2). Finished electrical and electronic equipment products will be CE marked as required by Directive 2011/65/EU. Components may not be CE marked. Additionally, the part numbers that TE has identified as EU ELV compliant have a maximum concentration of 0.1% by weight in homogenous materials for lead, hexavalent chromium, and mercury, and 0.01% for cadmium, or qualify for an exemption to these limits as defined in the Annexes of Directive 2000/53/EC (ELV). Regarding the REACH Regulation, the information TE provides on SVHC in articles for this part number is based on the latest European Chemicals Agency (ECHA) 'Guidance on requirements for substances in articles' posted at this URL: <https://echa.europa.eu/guidance-documents/guidance-on-reach>

Also in the Series | Appliance Connectors



Crimp Terminal Housings(1)



Special Purpose Terminals(10)

Customers Also Bought



TE Part #T4162113004-005
RPC-M12-4MS-5.0SH-M12-4FS-PVC



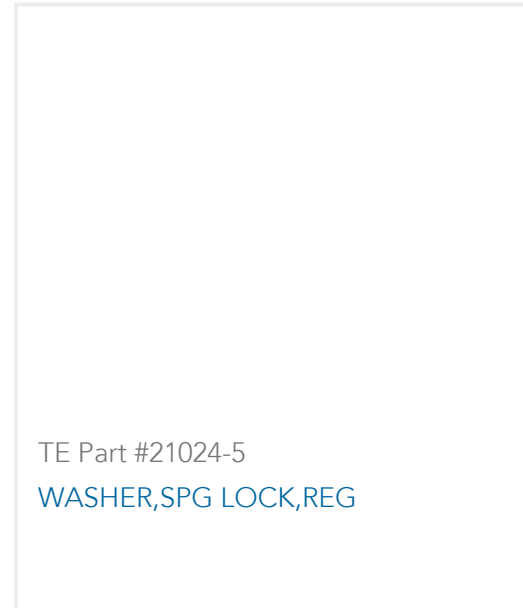
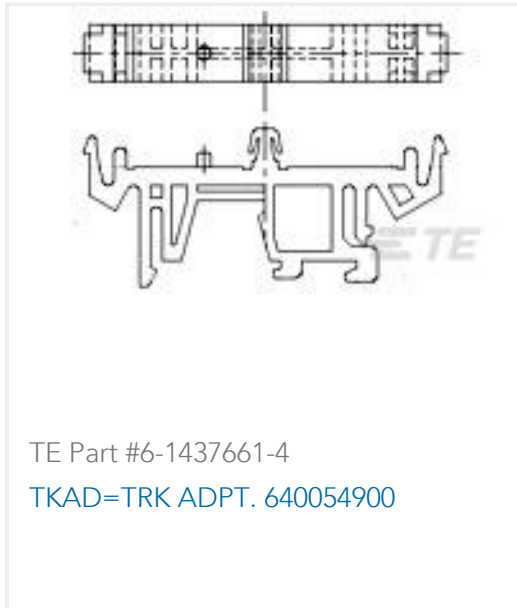
TE Part #34852
TERMINAL,PG R 12-10 6



TE Part #2-34854-1
TERMINAL,PG R 12-10 10



TE Part #53423-1
TERMINAL,PIDG PVF2 R 12-10 6



Documents

Product Drawings

10-24 DOG POINT SCREW

English

CAD Files

3D PDF

3D

Customer View Model

[ENG_CVM_CVM_521647-3_D.2d_dxf.zip](#)

English

Customer View Model

[ENG_CVM_CVM_521647-3_D.3d_igs.zip](#)

English

Customer View Model

[ENG_CVM_CVM_521647-3_D.3d_stp.zip](#)

English

By downloading the CAD file I accept and agree to the [Terms and Conditions](#) of use.