

---

## EPIC H-BE Heavy Duty Connectors

### Contact Connectors

Available complete metric kits pre-assembled or as individual parts, HBE connectors are **type tested to 16A, 440V a.c.** and include the following features :

- Rugged aluminium alloy hoods and bases with stove enamelled grey finish
- Coupled hoods and bases are held securely together by double interlocking levers
- Glass reinforced thermoplastic resin inserts with separate earth termination to shell
- Screw terminals have wire protection leaves and accept cables up to 2.5 mm<sup>2</sup>. Contacts are hard silver plated copper alloy
- Plug and socket inserts are interchangeable in hoods, surface and panel mounting bodies, allowing appliance inlet (fixed plug) and free socket arrangements
- Cable mounting types include compression glands which will seal circular cables to IP65 protection

### Approvals :UL listed, CSA certified, SEV

dimensions - cable plugs and sockets

6-way side entry cable 6-way top  
entry cable plug 10, 16, 24, 32 and  
48-way cable  
plug side entry 10, 16, 24, 32 &  
48-way cable  
plug top entry 6-way cable socket  
coupler 10, 16 & 24-way cable socket  
couplers

	<i>gland sizes</i>										
	<i>A</i>	<i>B</i>	<i>C</i>	<i>D</i>	<i>E</i>	<i>F</i>	<i>P</i>	<i>HC</i>	<i>Std</i>	<i>HC</i>	<i>Metric</i>
6 way	60	51	42	*	*	*	43	61	PG13.5	PG21	M20
10 way	73	51	47	120	73	50	43	62	PG16	PG29	M25
16 way	93	61	61	141	93	63	43	76	PG21	PG29	M25
24 way	119.5	70	70	167	120	72	43	76	PG21	PG29	M25
32 way	93.5	90	90	-	-	-	79	-	PG29	-	
48 way	132	96	96	-	-	-	90	-	PG42	-	

HC=High Construction hood height and gland sizes.

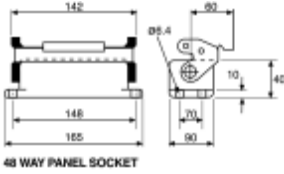
\* see drawings

dimensions - surface and panel  
mtg. sockets

6 way surface socket 10, 16, 24 & 32  
way  
surface sockets 6 way panel socket  
10, 16 & 24 way  
panel sockets 32 way panel socket

---

### H-BE Double Locking Lever



**surface and panel mtg. sockets**

	G	H	J	K	L	M	N	gland size	
6 way	*	54	70	84	*	70	80	PG 16	M20
10 way	120	57	82	94	120	83	93	PG 16	M25
16 way	141	64	105	117	141	103	113	PG 21	M25
24 way	167	64	132	143	167	130	140	PG 21	M25
32 way	132	72	112	124	125	110	124	PG29	

\* see drawings

<b>technical specification</b>	
Working voltage	440V a.c.
Test voltage	3kV a.c.
Contact resistance	
with screw resistance	<2mΩ
Working current/ambient temp.	16A/≤60°C
(2.5mm <sup>2</sup> cable)	13A/80°C
	9.5A/100°C
	4A/120°C
Temperature range	-40°C to +125°C
Insulation group	VDE0110 group C
Environmental rating	IP65

## H-BE Double Locking Lever



<b>Contents</b>						
Stock No	Contact Part No					
	Hood	Base	Insert1	Insert2	Gland	G/size
<b>396-1497</b>	19.0401	10.0320	10.1920	10.1930	71.2013	M25
<b>396-1504</b>	19.0421	10.0320	10.1920	10.1930	71.2003	M25
<b>396-1510</b>	19.0800	10.0720	10.1940	10.1950	71.2013	M25
<b>396-1526</b>	19.0820	10.0820	10.1940	10.1950	71.2003	M25
<b>396-1532</b>	19.1210	10.1020	10.1960	10.1970	71.2013	M25
<b>396-1548</b>	19.1130	10.1020	10.1960	10.1970	71.2003	M25

× = 1

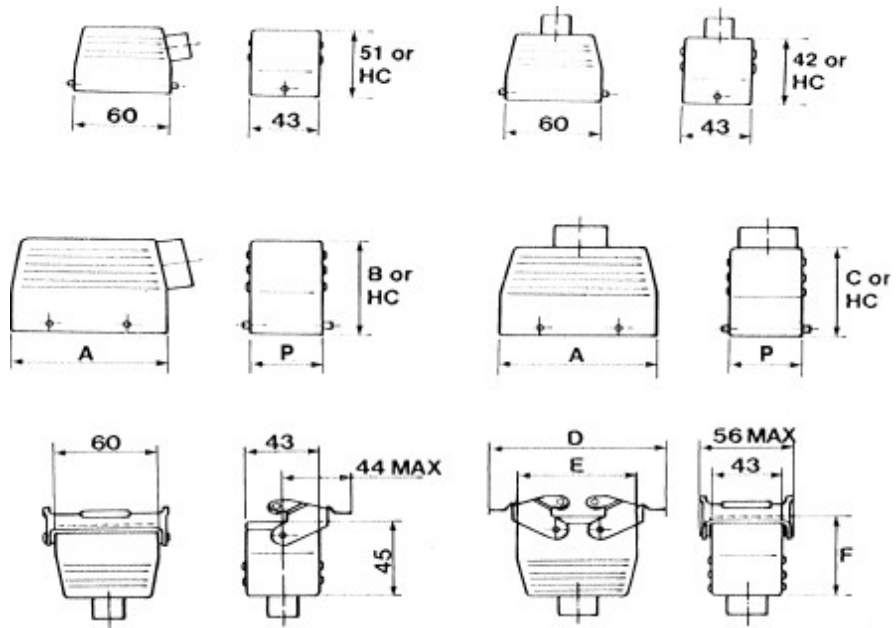
stock no.

**H-BE Metric Kit**

<b>10 way top entry</b>	<b>396-1497</b>
<b>10 way side entry</b>	<b>396-1504</b>
<b>16 way top entry</b>	<b>396-1510</b>
<b>16 way side entry</b>	<b>396-1526</b>
<b>24 way top entry</b>	<b>396-1532</b>
<b>24 way side entry</b>	<b>396-1548</b>

# DIMENSIONS CABLE - PLUGS AND SOCKETS

---



# DIMENSIONS SURFACE & PANEL MOUNT SOCKETS

